

# e-LLUSION®

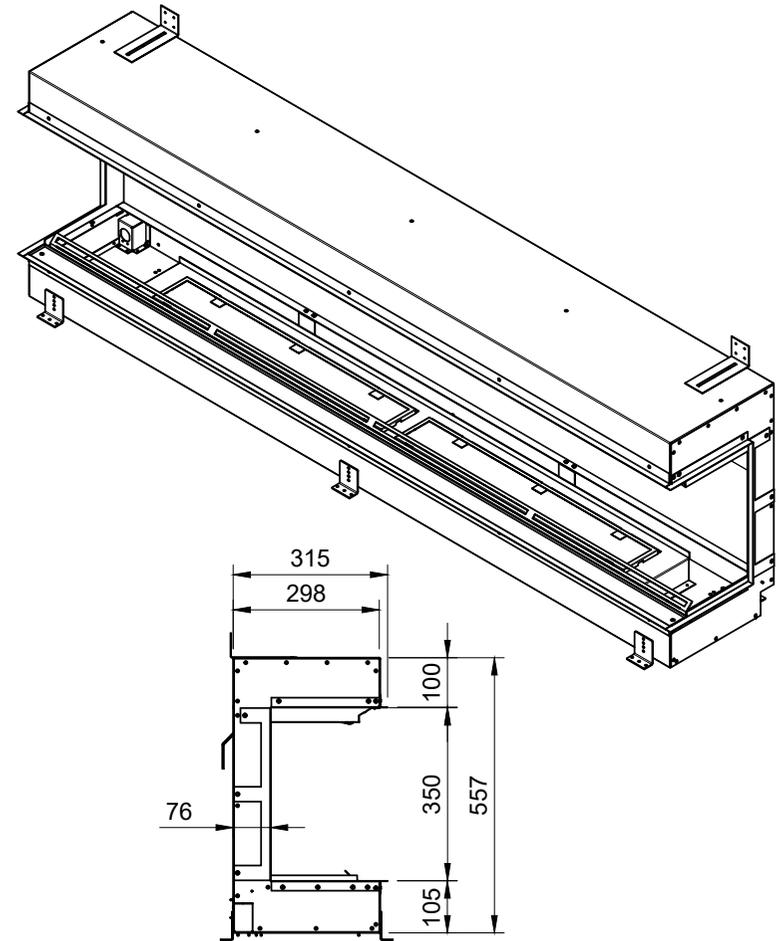
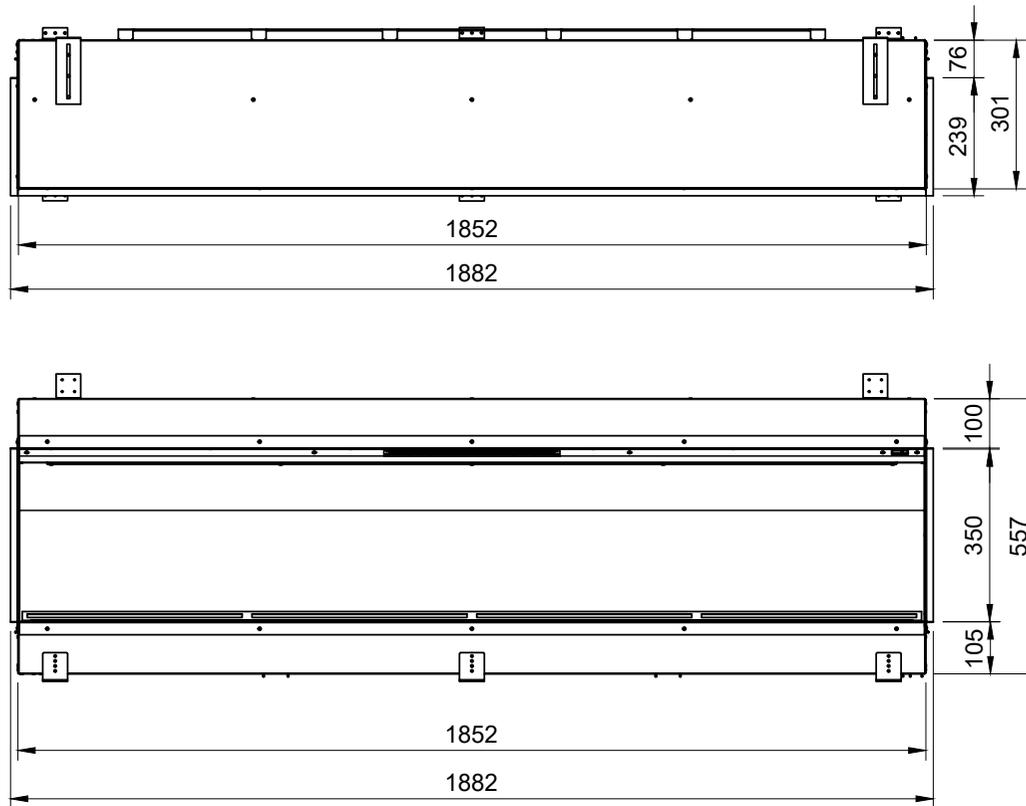
Specification Booklet



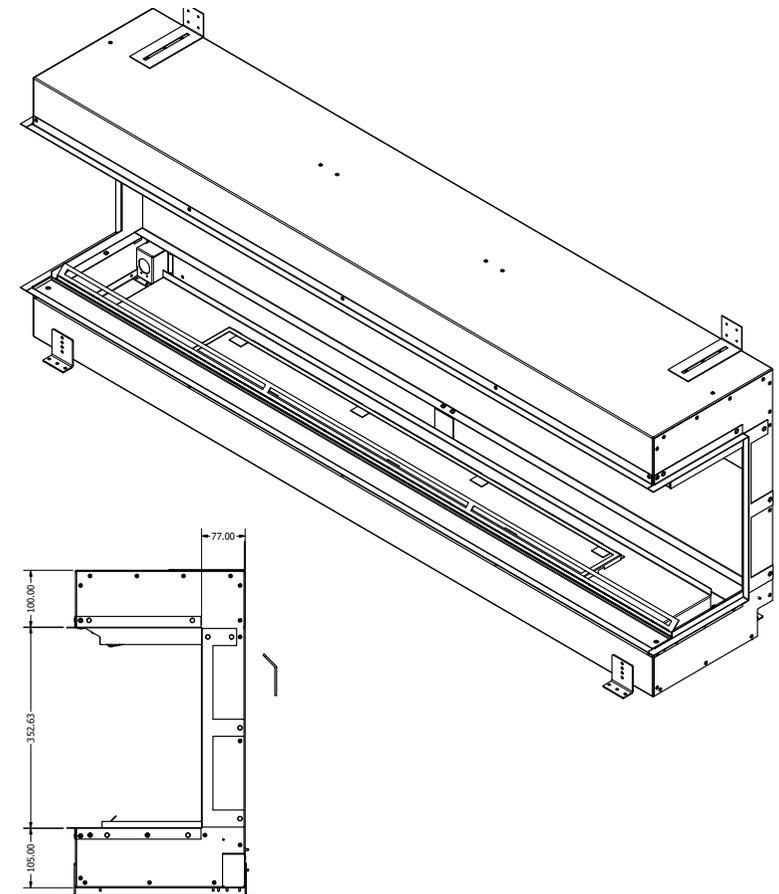
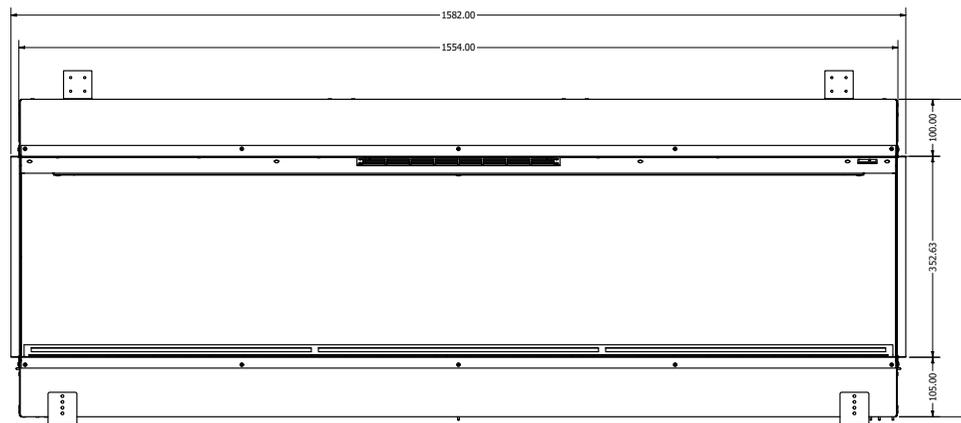
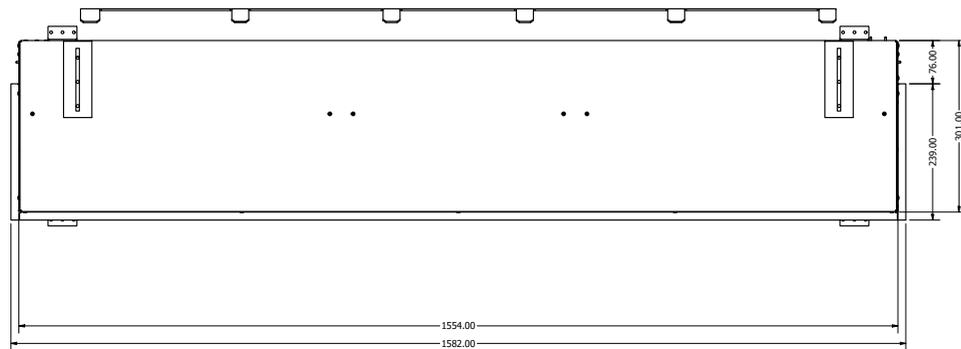
E-llusion Specification Booklet - Issue 1

**evonicfires**  
quality electric fires built in britain

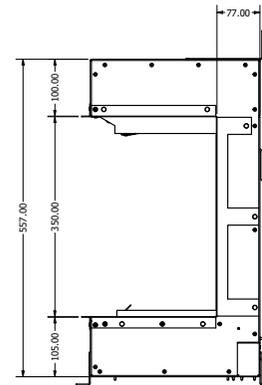
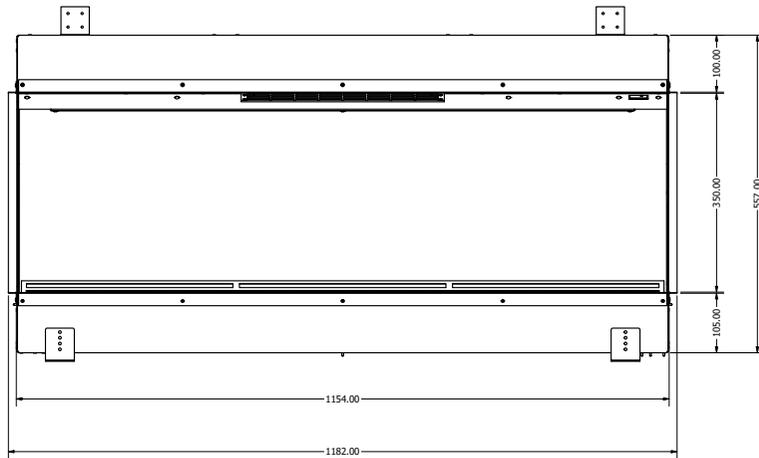
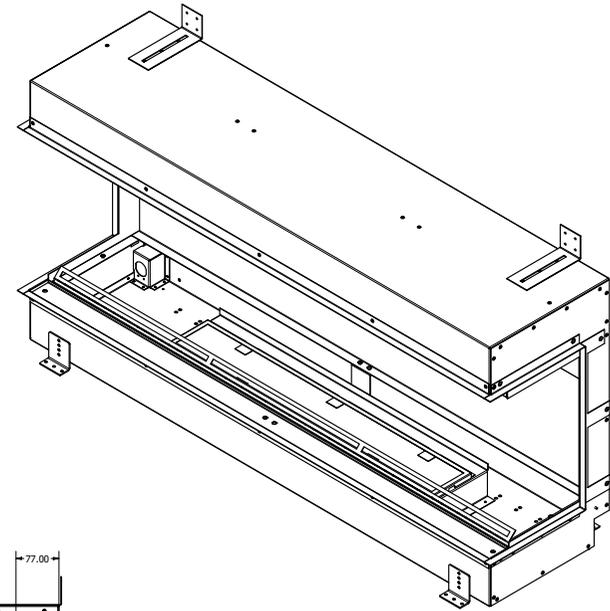
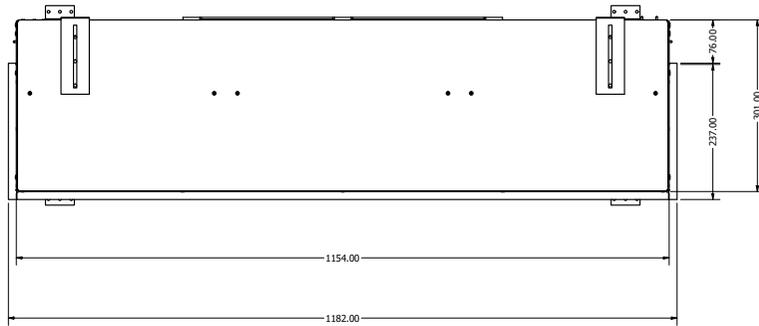
# Octane 1850



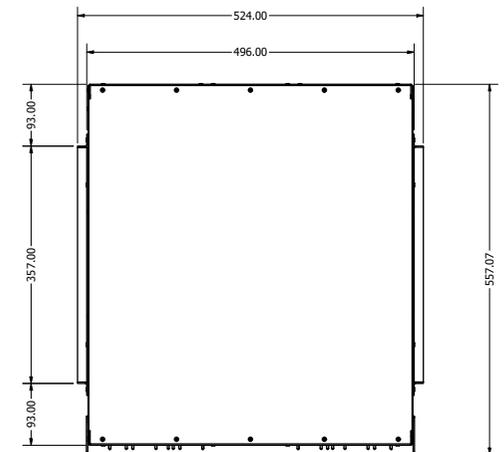
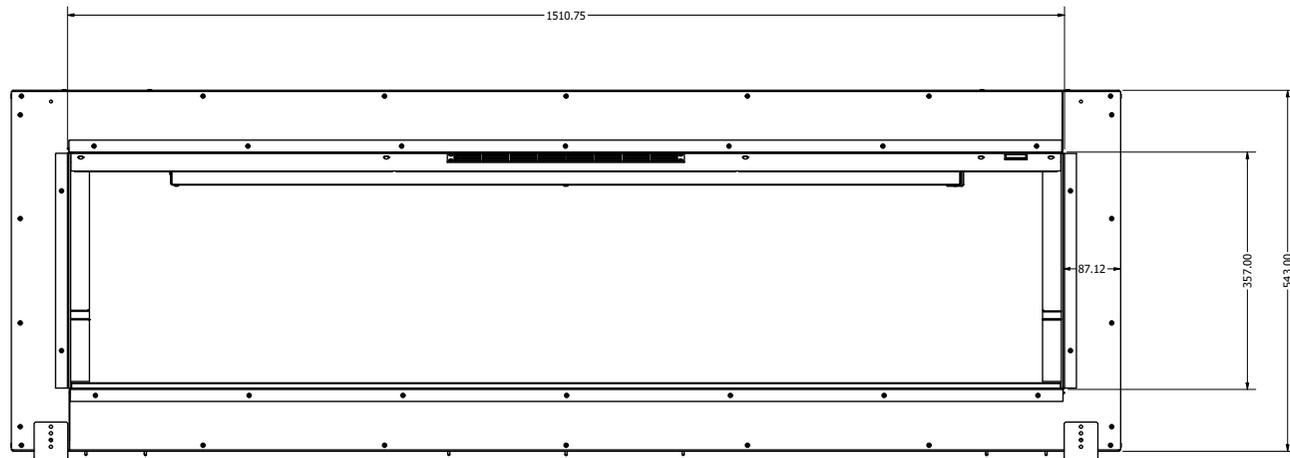
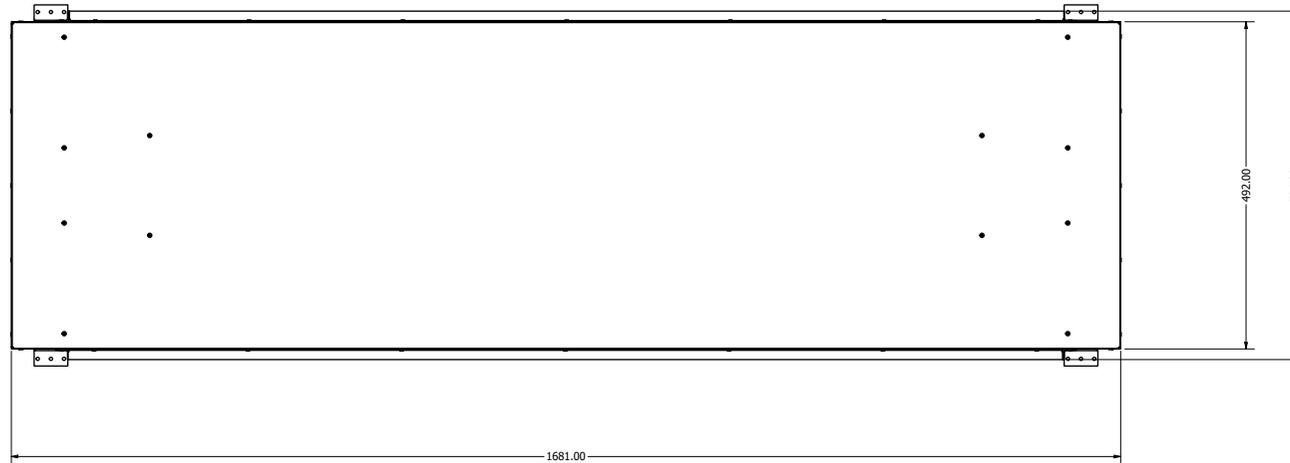
# Octane 1550



# Octane 1150



# Octane 1500 DS



# Octane 1030 DS

