

## BUILT-INS INSTALLATION MANUAL

**e1800**  
**e1500**  
**e1250**  
**e1030**  
**e800T**

**Volante 1800**  
**Volante 1500**  
**Volante 1250**  
**Volante 1000**  
**Volante 800**

**Octane 1500 DS**  
**Octane 1850**  
**Octane 1550**  
**Octane 1150**

**Halo 2400**  
**Halo 1800**  
**Halo 1500**  
**Halo 1250**  
**Halo 1030**  
**Halo 800**  
**Halo 1030 DS**  
**Halo 810 DS**

**e-lectra 1800**  
**e-lectra 1500**  
**e-lectra 1250**  
**e-lectra 1000**  
**e-lectra 800**



# CONTENTS

Health and safety .....	<b>4</b>
Side panel configuration .....	<b>5</b>
Checks before installation – All models .....	<b>6</b>
Installation steps – Single-sided models .....	<b>7</b>
Installation – Double-sided models .....	<b>9</b>
Side glass panels – Single-sided models .....	<b>11</b>
Effect glass – Octane models .....	<b>12</b>
Fitting the front glass – All models .....	<b>14</b>
Control options .....	<b>15</b>
E-smart cloud app.....	<b>16</b>
Remote Control .....	<b>21</b>
Connection Problems.....	<b>22</b>
Retro-fitting the remote control.....	<b>23</b>
Pairing with Amazon Alexa .....	<b>24</b>
Pairing with Google Home .....	<b>26</b>
Voice control commands .....	<b>28</b>
e-Illuminate lighting setup .....	<b>29</b>
Warranty .....	<b>30</b>

The following materials and components should be disposed of in accordance with the below table.

<b>Metal - Steel or cast iron</b>	Can be taken to a local recycling centre for reuse to reduce waste going to landfill.
<b>Glass &amp; Screens</b>	Can be taken to a local recycling centre for reuse to reduce waste going to landfill.
<b>Vermiculite</b>	Non hazardous material. Vermiculite can be crushed up and used for plant bedding and ash used for composting or disposed of at a local recycling centre for reuse to reduce waste going to landfill.
<b>Electrical components - Fans, heater elements, PCB's, Power pack's, LED's</b>	Dispose at a local recycling centre In accordance with latest WEEE directive.
<b>Log fuel effects</b>	These logs contain refractory ceramic fibre materials which requires disposal in accordance with WEEE legislation.
<b>Natural Wood</b>	Can be taken to a local recycling centre for reuse to reduce waste going to landfill.

## EU DIRECTIVES

All Evonic Fires products meet the requirements of the EC Directives. These directives have been met by compliance with the following standards:

EU 2011-65/EU 2015/863 Restriction of Hazardous Substances.

References to the relevant designated standards used:

EN 55014-1:2006 + A1:2009 + A2:2011 Electromagnetic Compatibility.

EN 55014-2:2015 Electromagnetic Compatibility.

EN 61000-3-2:2014 Electromagnetic Compatibility (EMC). Limits. Limits for Harmonic Current Emissions.

EN 61000-3-3:2013 Electromagnetic Compatibility (EMC). Limits. Limitation of Voltage Changes, Voltage Fluctuations and Flicker.

EN 60335-1:2012 + A11:2014 Household and similar electrical appliances - Safety

EN 60335-2-30:2009+A11:2012 Household and similar electrical appliances. Safety. Particular requirements for room heaters

## UKCA STANDARDS

All Evonic Fires products are in conformity with the relevant UK Statutory Instruments (and their amendments).

2016 No. 1101 The Electrical Equipment (Safety) Regulations 2016

2016 No. 1091 The Electromagnetic Compatibility Regulations 2016

2012 No. 3032 The Restriction Of Use Of Certain Hazardous Substances In Electrical And Electronic Equipment Regulations 2012



## IMPORTANT INFORMATION AND HEALTH & SAFETY

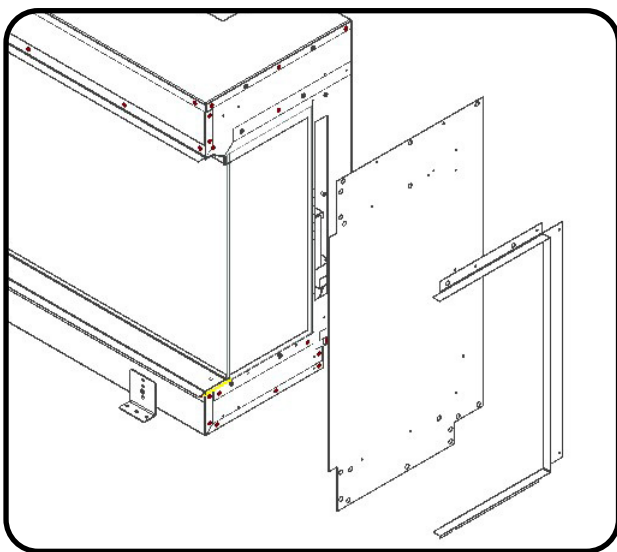
When using electrical appliances, basic precautions should always be followed to reduce the risk of fire, electric shock, and injury to persons, including the following:

- Read all of the instructions carefully before using the appliance, only use this appliance as described in this manual. Any other use not recommended by the manufacturer may cause injury to persons, or damage to the appliance.
- Remove all packaging and dispose of it at an appropriate recycling facility.
- When transporting or storing the appliance and power lead, keep in a dry place, away from excessive vibration and store so as to avoid damage.
- This fireplace is hot when in use. To avoid burns, do not let bare skin touch hot surfaces. The trim around the heater outlet becomes hot during heater operation. DANGER: High temperatures may be generated under certain abnormal conditions.
- Do not install this appliance immediately in front of a fixed socket outlet.
- Do not install this appliance in the immediate surroundings of a bath, shower, swimming pool or any other area where the appliance could come into contact with water or humidity, e.g. a bathroom.
- Do not use in areas where gasoline, paint, or any flammable liquids are used or stored.
- This appliance is only suitable for indoor use, do not use outdoors.
- Do not cover the appliance, or let the air inlet/outlet to be obstructed in any way as it may overheat.
- Keep the power lead away from hot surfaces and the heater outlet. Do not route the power lead in front of the appliance, or under any carpets or rugs. Do not allow the power lead to be coiled up once installed, as this can cause overheating.
- This appliance must be firmly fixed to or recessed into, a flat internal wall.
- A maintenance hatch must be installed into the surrounding installation to allow future access.
- Always use a certified electrician should new circuits or outlets be required. And always use properly grounded, fused and polarised outlets.
- Where the power lead passes through any masonry wall, stone surround etc. ensure that suitable rubber bushes are fitted at any possible wear points.
- If the power lead is damaged do not use the appliance until it has been replaced.
- Do not use any external switching device, timers, or extension leads. Do not connect the appliance to a circuit that is frequently switched on and off by the utility.
- In the event of a malfunction, switch off the appliance, and disconnect it from the mains power supply. Have the appliance inspected by a certified electrician before reusing.
- Do not use the appliance if it is damaged. In the event of any damage to the appliance, please contact the retailer from whom the appliance was purchased.
- Any repairs must only be performed by a certified electrician.
- Extreme caution is necessary when any heater is used by, located near children or people of reduced mobility, and whenever the unit is left operating and unattended.
- Young children should be supervised to ensure that they do not play with the appliance.
- Disconnect from the power supply before performing any cleaning, maintenance or relocation of the unit. Do not use steam cleaners, or aerosols near the appliance.
- Do not burn wood or anything else in this appliance.
- Do not strike the glass. The glass used is toughened safety glass, if broken it will shatter into small chunks which are less likely to cause injury.
- Do not drill or screw any new holes into the appliance.

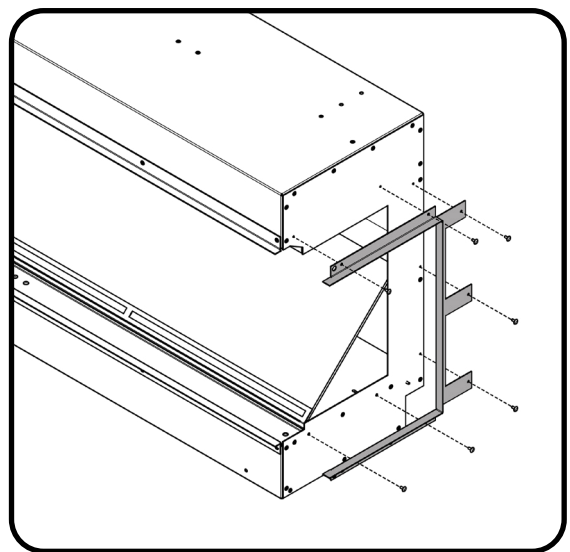
## REMOVING THE SIDE PANELS / CONVERTING TO **GF2** or **GF3**

All our built-in appliances are shipped as 1 box models, with the side panels attached and the glass installed to the **GF3** configuration. Please note: **This does not apply to double-sided models.** To convert to **GF2** or **GF3** configurations, you simply need to remove the side panel(s) and re-attach the plaster kit.

- 1 Unscrew and remove the side panel(s) from the side/s of the appliance. Then remove the plaster kit from the side panel.



- 2 Re-attach the plaster kit(s) using the same fixing points.



### GF CONFIGURATION

Glass Fronted  
A single glass panel at the front of the appliance.



### GF2 CONFIGURATION

A glass panel at the front and one side piece of glass. The glass can be either side.



### GF3 CONFIGURATION

The standard configuration.  
A glass panel at the front and both side pieces of glass.



## CHECKS BEFORE INSTALLATION - ALL MODELS

### INSTALLATION DO'S AND DONT'S

Before installing the appliance please read and take into account the following important requirements;

- Consult a qualified professional to check the structure of the installation site.
- These appliances have been designed to be installed into either a stud and plasterboard wall, or an existing chimney breast. (Please note that Open, GF2, and GF3 models are not suitable for existing chimney breast installations.)
- If installing into an existing chimney, make sure to adequately block off the flue.
- Any 1800mm or 2400mm appliance requires extra support due to their size and weight, as such they are not suitable for 'floating' installations.
- The appliance must never be installed in front of an electrical socket.
- The appliance must not be installed anywhere that it may come into contact with water, i.e. a bathroom.
- Do not wet plaster directly onto the appliance.

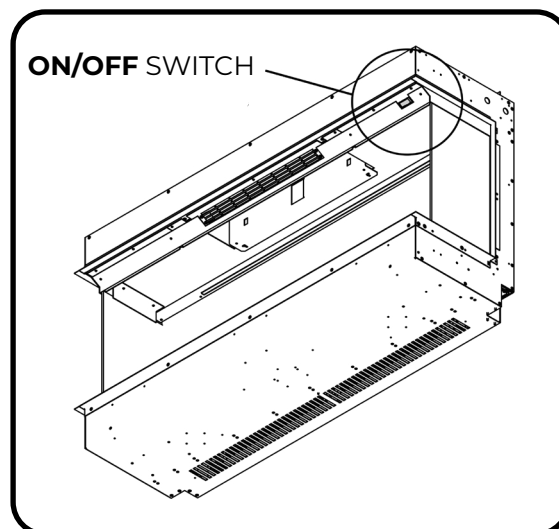
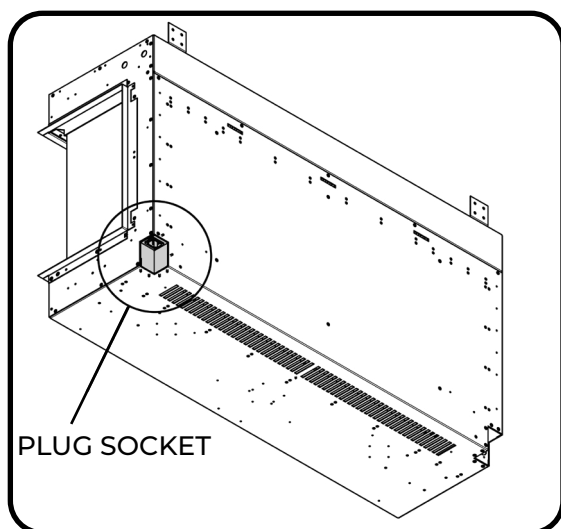
### AIR CLEARANCE

When installing all built-in models, a minimum internal air clearance gap of 50mm is required above and below the appliance to allow air circulation and prevent overheating. CK Fires will not be held liable for any faults arising from incorrect air clearance being adhered to during installation.

### CHECKS BEFORE INSTALLATION

We recommend turning on the appliance before installation, connect the appliance to a power source using the provided electrical lead, and depress the right side of the **ON/OFF** switch.

Remove the electrical lead from the wall and continue with the installation.

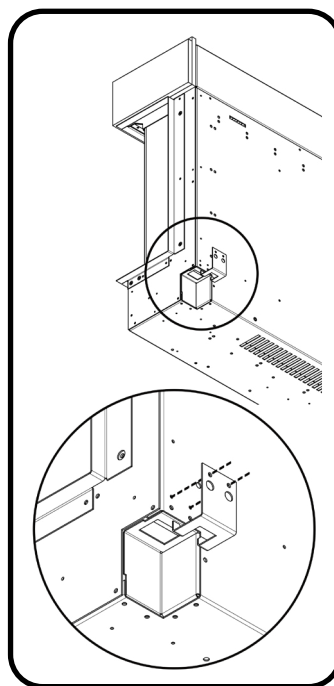
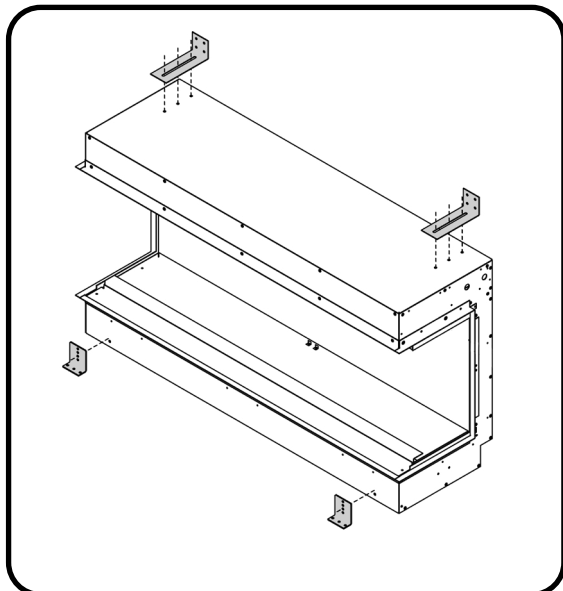




## INSTALLATION STEPS - GF1 / GF2 / GF3 MODELS

1

Remove the bottom transit brackets, and side brace bars. Then screw on the top mounted brackets, and the IEC Clip on the back right.

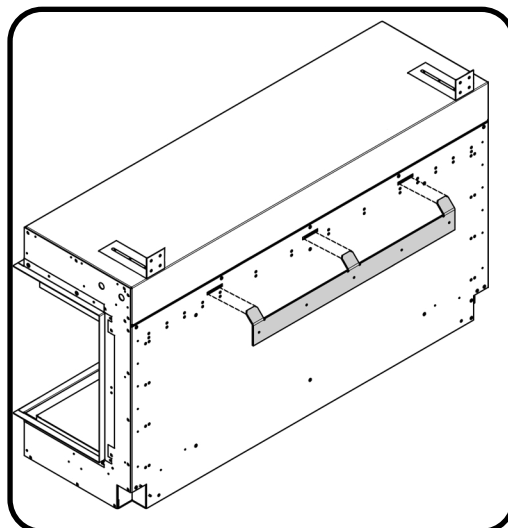
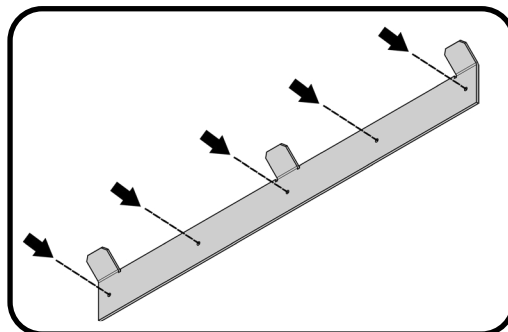


2

Determine the finished height and position that you want the appliance to be located. Then secure the wall bracket to the wall in the position you need using the wall plugs and screws provided. If you're not securing the appliance to a masonry wall you will need to use the appropriate fixings.

You can now hang the appliance on the wall by slotting the tabs of the wall bracket into the slots on the back of the appliance. If you are installing an 1800mm or 2400mm model, you will need to provide extra support for the appliance.

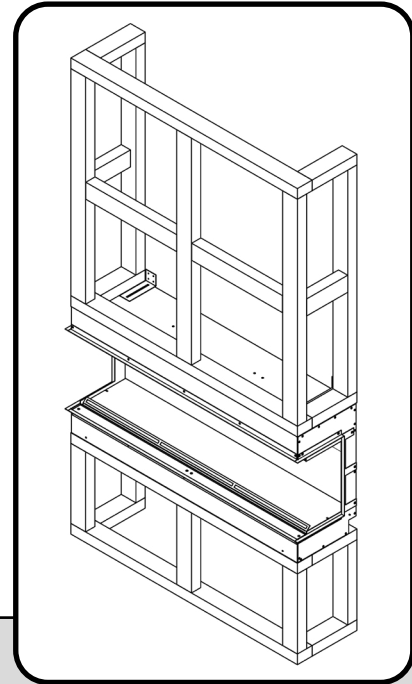
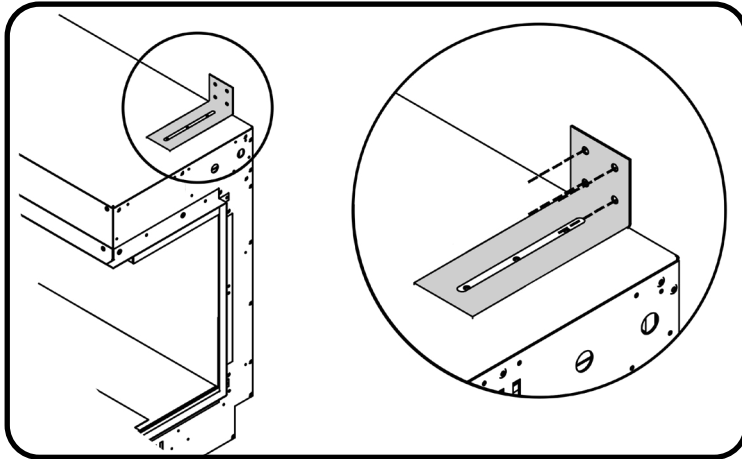
**Please note: The wall bracket is an optional extra.**



3

Screw the two top mounted brackets to the wall.

You can now construct your stud wall/s around the appliance in the design of your choosing.



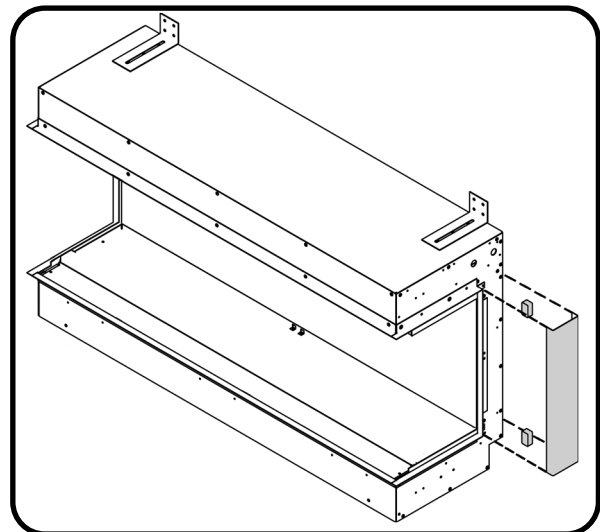
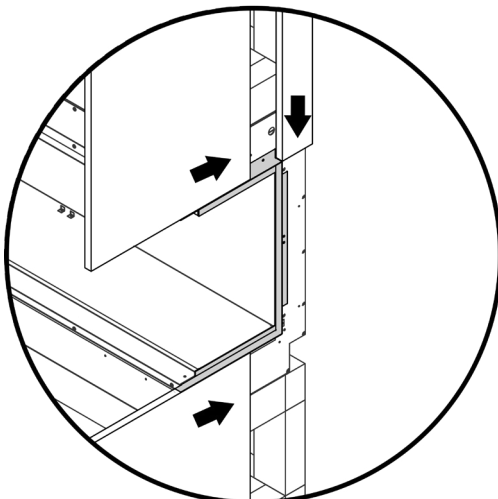
### INSTALLATION DO'S AND DONT'S

- When constructing the stud work for **e-series and Halo models**, remember that the vents on the underside of the appliance need a minimum of **50mm clearance beneath them**.
- Ensure that the appliance **does not support the weight of the stud work**.
- Do not use silicones, adhesives, or wet plaster to seal in the appliance.
- Before plaster boarding your stud work, it is strongly **recommended that you create a maintenance hatch that allows access to where the power lead connects with the fire**. This is usually on the right hand side of the appliance on single-sided appliances (see page 6).

4

Your plasterboard can now line up with the plaster kits on the edge of the appliance.

Alternatively, the optional chrome side panels can be attached to the case with the magnets as shown below.

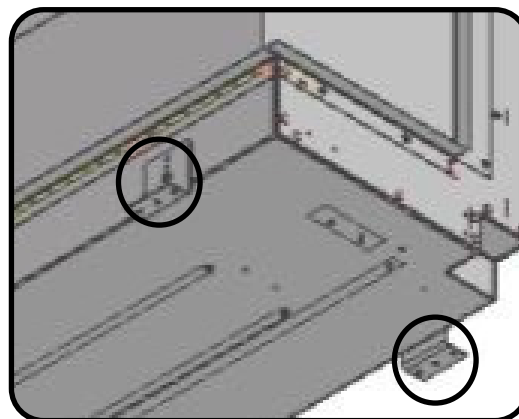
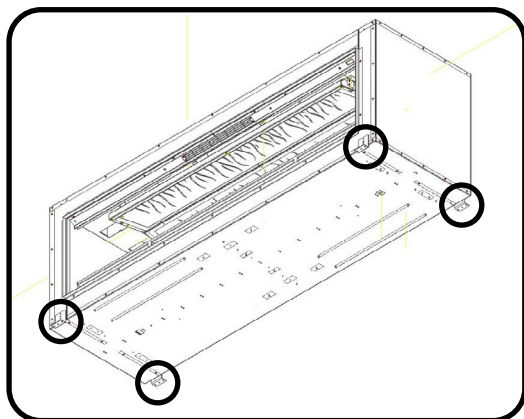




## INSTALLATION - DOUBLE-SIDED MODELS

1

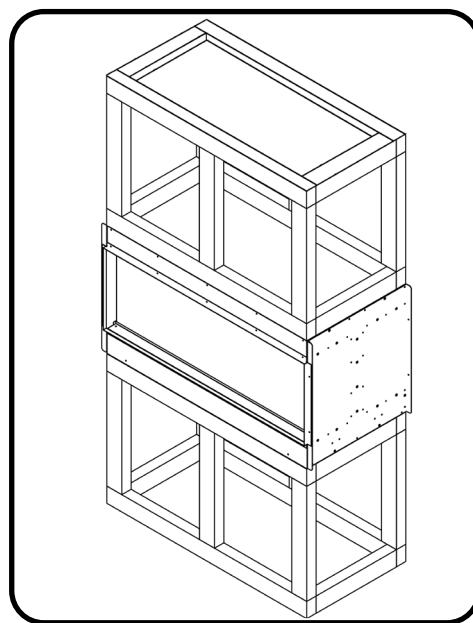
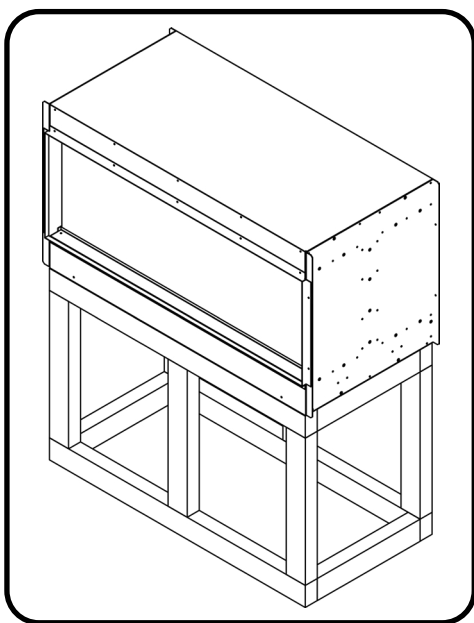
Remove the two bottom mounted transit brackets from both sides. You will not need these for the installation.



2

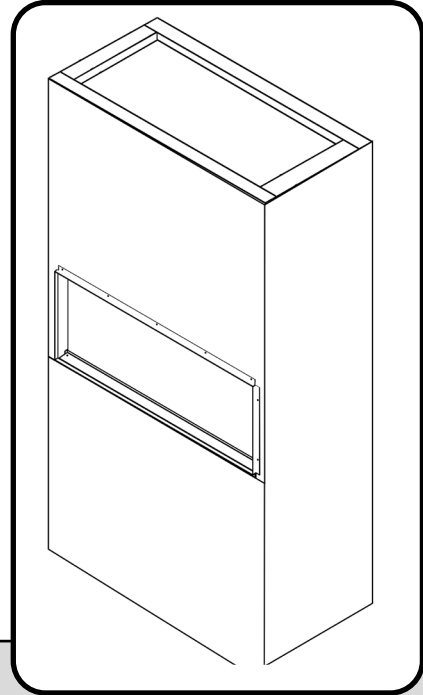
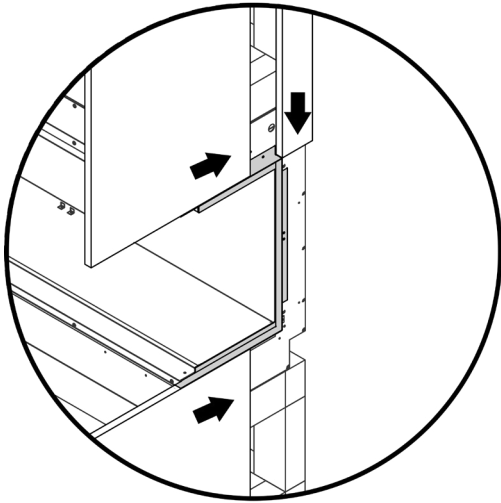
Determine the finished height and position that you want the appliance to be located. Build your base support taking into consideration the **50mm ventilation gap under the appliance required on e810DS and e1030DS models** (There is no ventilation gap required for the Octane DS model). Then place the appliance onto your constructed base and check that it is well supported.

Once you have established this, you can add the top section of your installation. To ensure the weight of your top section is not solely resting on the appliance, we suggest securing it to the ceiling to add extra support.



3

You can now begin to plasterboard your studwork.



### INSTALLATION DO'S AND DONT'S

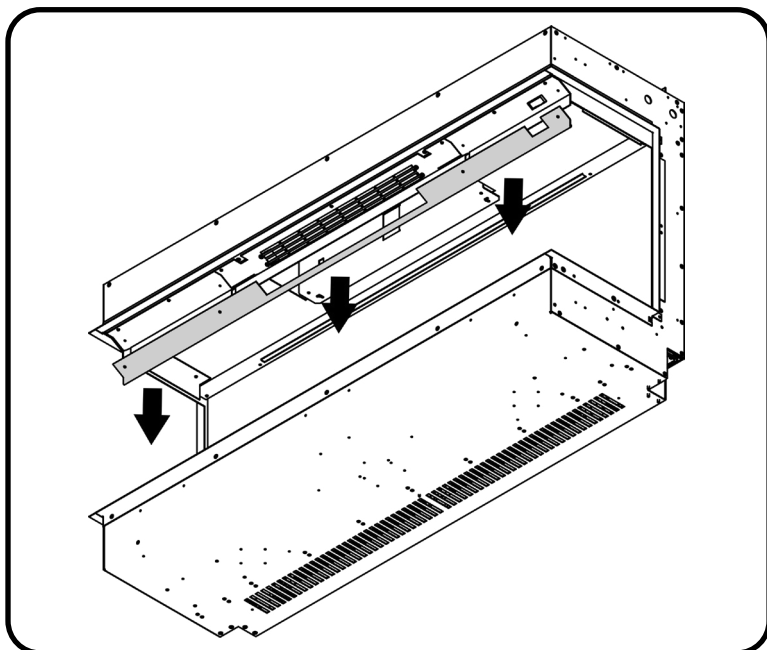
- When constructing the stud work for **e810DS** and **e1030DS models**, remember that the vents on the underside of the appliance need a minimum of **50mm clearance beneath them**.
- Ensure that the appliance **isn't supporting the weight of the stud work**.
- Do not use silicones, adhesives, or wet plaster to seal in the appliance.
- Before plaster boarding your stud work, it is strongly **recommended that you create a maintenance hatch that allows access to where the power lead connects with the fire**. This is usually in the middle of the left or right side of the appliance, depending on which side you are looking from.



## REMOVING THE SIDE GLASS PANELS - GF2 / GF CONVERSION

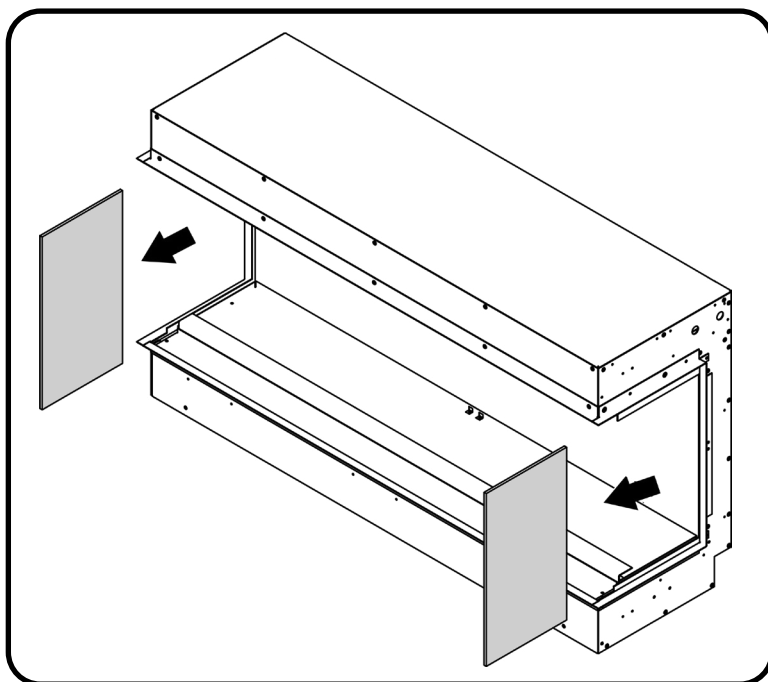
1

Unscrew and remove the top glass retainer panels.

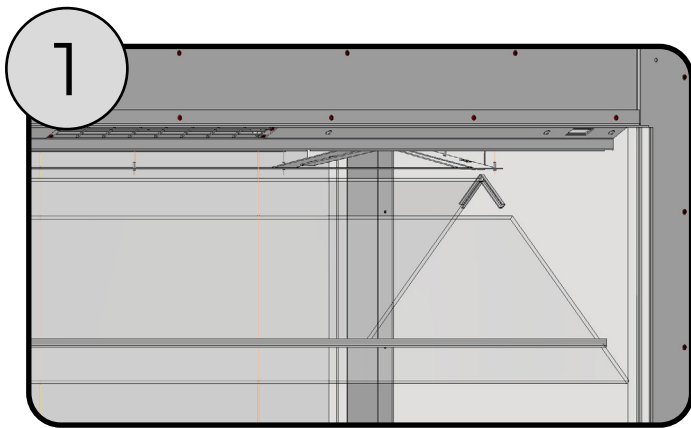


2

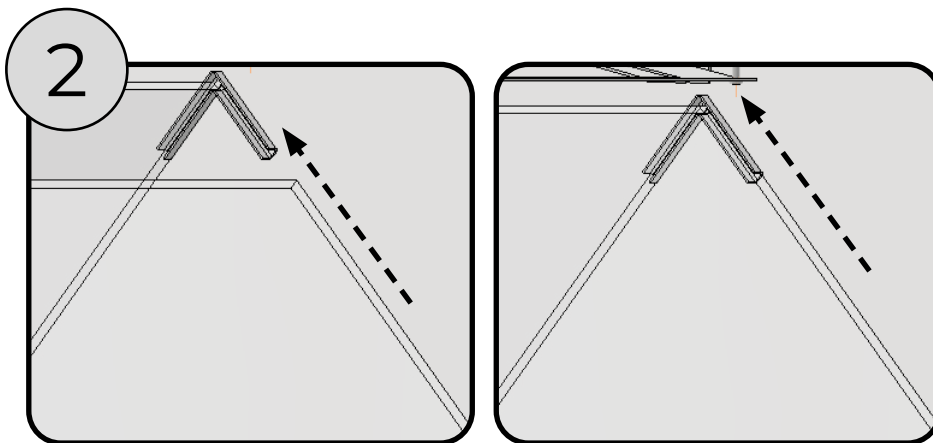
Slide out the side glass piece(s). Depending on the model, you may have to angle the side glass



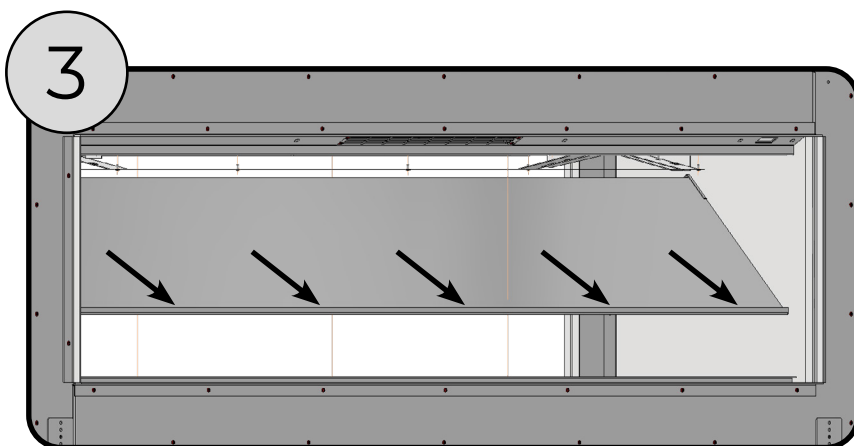
## INSTALLING THE EFFECT GLASS - OCTANE DOUBLE-SIDED



Start by applying the glass sucker to the centre of the effect glass. Begin lifting the glass up towards the triangular glass clip to slot in place.



Line up the glass with the glass clip, and carefully push into place. The glass clips can be loosened on both sides to allow easier fitting.

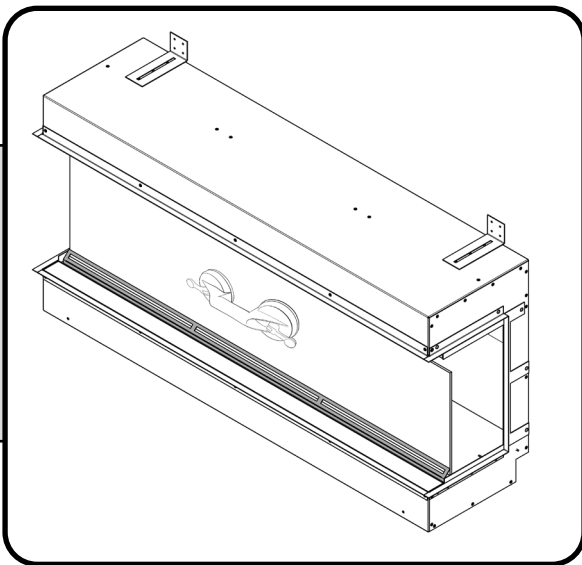


Once the glass has been inserted into the clip, ensure the bottom of the glass has been fitted to rest on the retainer bar. You can then repeat the process on the other side.

## INSTALLING THE EFFECT GLASS - OCTANE SINGLE-SIDED

1

Apply the Suction Lifter to the glass and position the bottom edge of the glass first, then pivot the glass into the appliance. If not using a glass sucker, carefully hold the glass on either end and follow the same process. 2 people may be required for this to ensure the glass is carefully supported at all times.

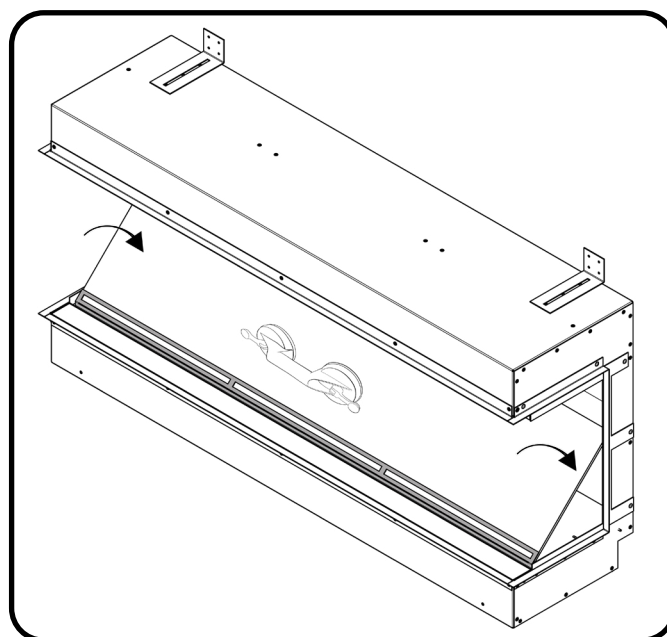


### PLEASE NOTE:

The suction cup is provided to assist in moving the glass, **NEVER** as the sole support for the glass. Always support the glass throughout the entire process until fully fitted in place.

2

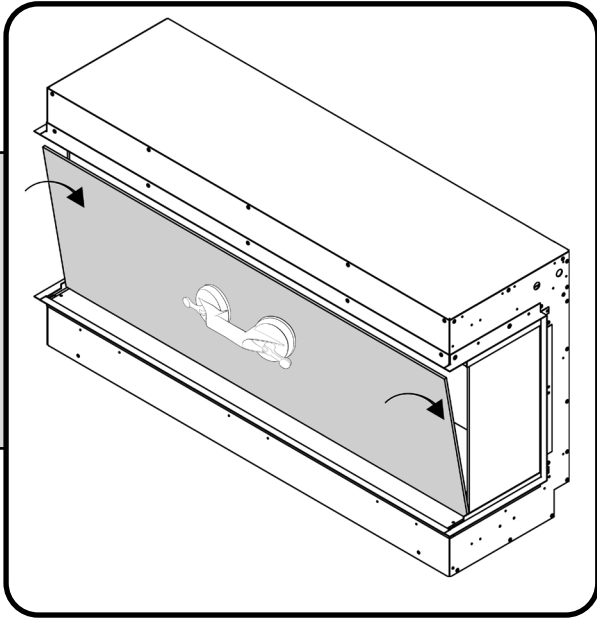
Pivot the glass backwards to a 45° angle so that it fits under the retaining bar, and rests against the back of the interior of the appliance.



## INSTALLING THE FRONT GLASS PANEL - ALL MODELS

1

On 1800mm and 2400mm models, apply the suction cup to the glass and position the bottom edge of the glass first, then pivot the glass into the appliance. If not using a suction cup, carefully hold the glass on either end and follow the same process. 2 people may be required for this to ensure the glass is carefully supported at all times.

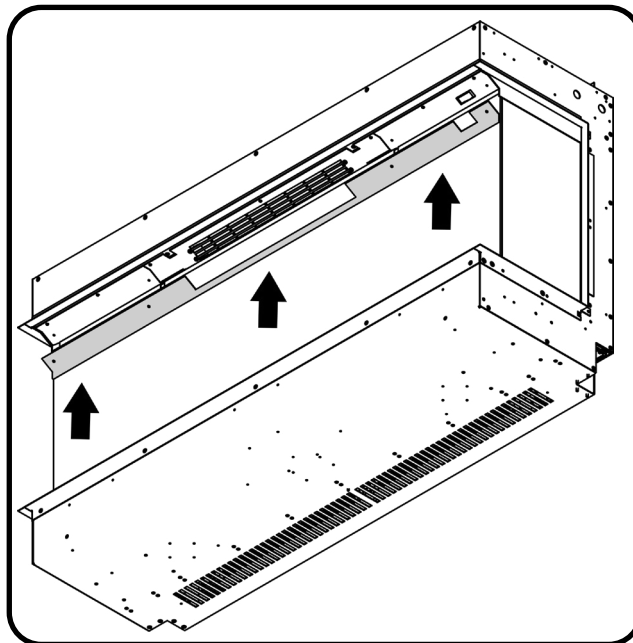


### PLEASE NOTE:

The suction cup is provided to assist in moving the glass, **NEVER** as the sole support for the glass. Always support the glass throughout the entire process until fully fitted in place.

2

Then replace the top glass retainer bar.





## CONTROLLING YOUR FIRE

There are two ways to control all the features of your Evonic appliance - **remote or e-smart App**



Our remote handset comes automatically paired and ready to operate straight out of the box. If you choose to control your appliance via the e-smart app, your internet router and smart device should meet the following minimum requirements -

### **Wi-Fi Router**

- Compatible with IEEE 802.11n/g/b
- WPA2 encryption
- Radio frequency: 2.4GHz band
- Wireless auto channel: auto search for wireless LAN radio channel free of interference
- Support for the User Datagram Protocol (UDP)
- The minimum distance from your internet router to the fire should be 70cm

### **Smart Device**

- Minimum device requirements IOS 8.0 or Android 10

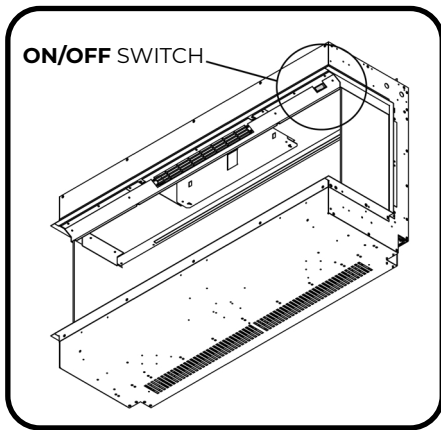


## E-SMART APP SETUP

To begin using the app you first need to pair your appliance to the app, we have created a video on our Youtube channel to guide you through the process of pairing your appliance to your smart phone or tablet. Scan the QR code to be taken to the video and get started. Alternatively follow the step-by-step guide below.

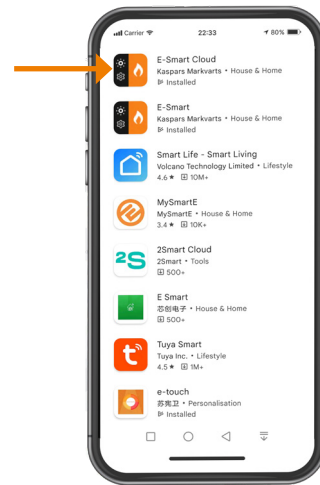


1



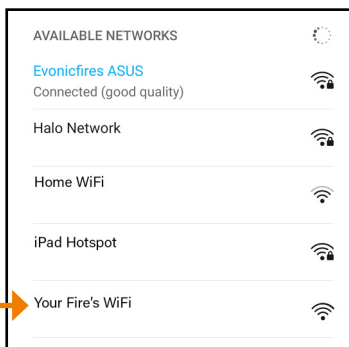
Make sure that your fire is plugged in and the switch is on. Then turn on your fire by pressing the ON/OFF switch to the 'ON' position.

2



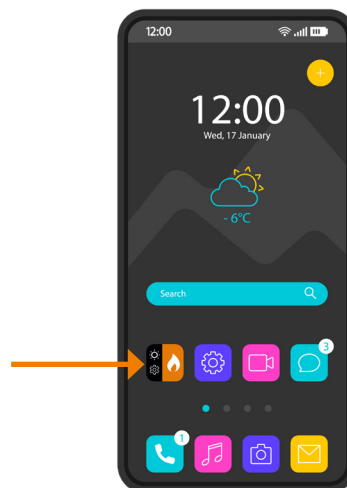
Download the **E-Smart Cloud** app from the Apple Store, or Google Play Store.

3



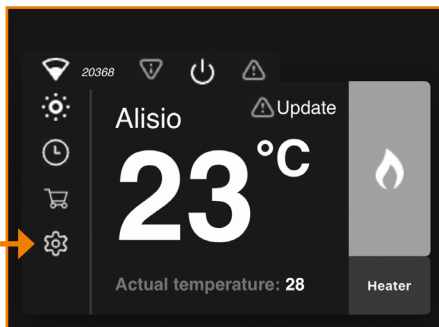
Open the Settings panel on your device and connect to the fire's wireless connection. The name of the fire's wi-fi will vary depending on the model.

4



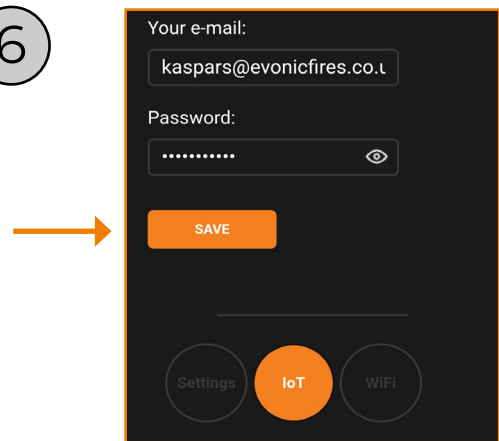
Open the E-Smart app on your device

5



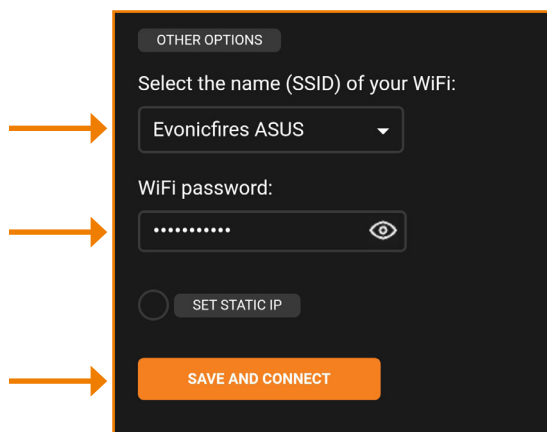
Open the settings panel on the app's Home Screen.

6



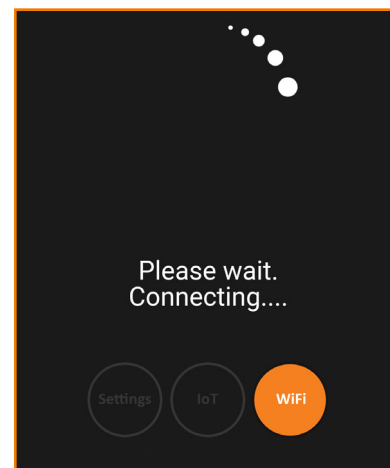
Scroll down to the 'IoT Registration' section and fill in your email address and create a password. Press 'Save'. Then select the grey wi-fi button.

7



Select your router from the drop down box, and enter your router's password. Press the eye icon to double check for mistakes. Press 'Save and Connect'. Only select Static IP if advised by an IT professional.

8



The pairing process between your device, the fire, and your router will now take place. This may take a few minutes, and when the app shows 'Redirect' you may see the lighting on your fire change colour. This is completely normal. To complete the setup, turn your fire off then back on.



## USING THE E-SMART APP



Control Overview

Timer settings

Shop

General settings

Press to turn the fire ON or OFF

Press to turn the heater ON or OFF



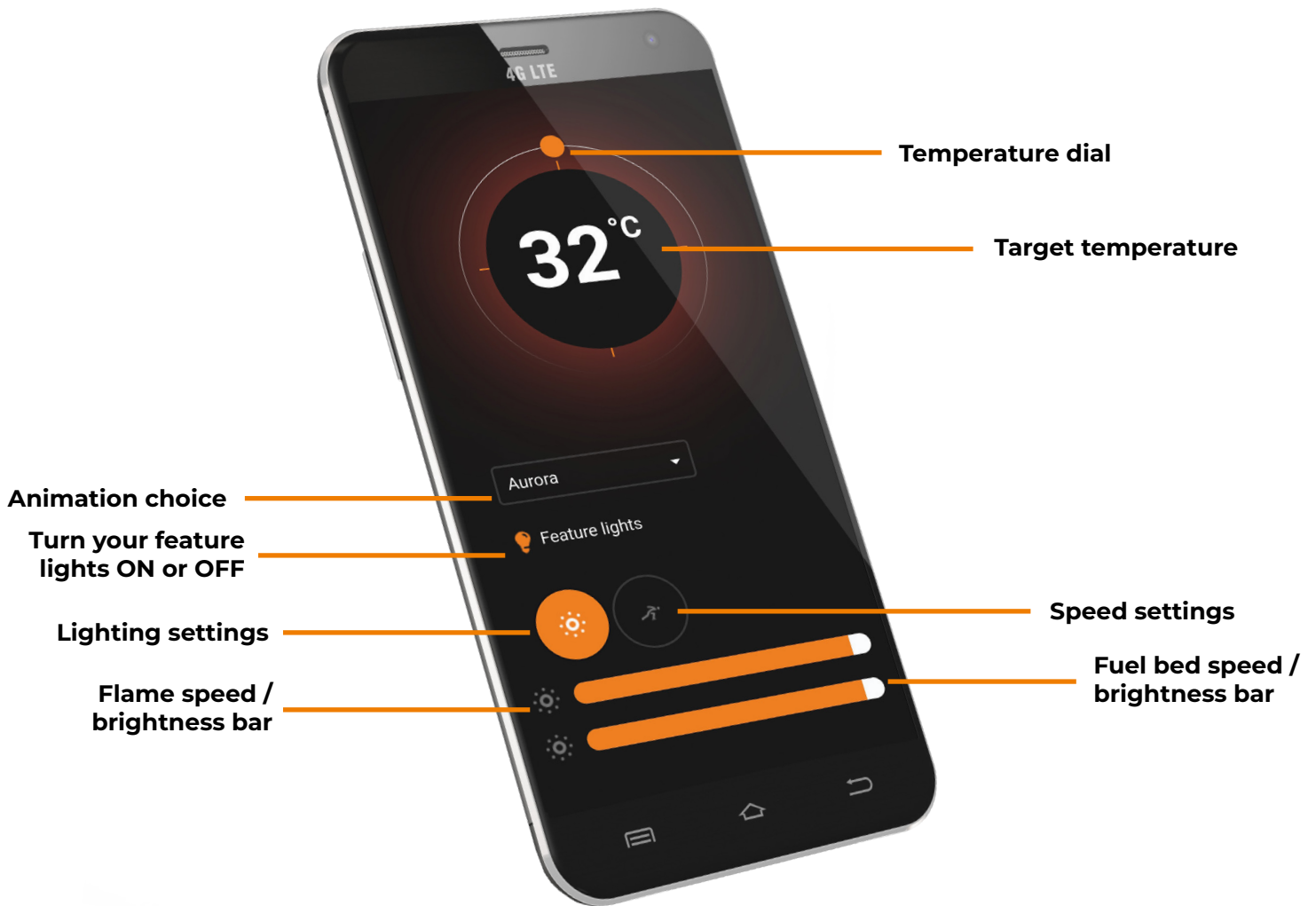
## E-SMART APP SETUP

On the Home Page of the E-Smart Cloud App you can see the name of your fire, the chosen temperature, and the actual temperature. On the left hand side you can select the timer, shop, and app settings. On the right hand side you can turn the lights in the fire on and off, and also turn the heater on and off.

To enter the Control Overview either select the light bulb icon on the top left or the central temperature box.



## CONTROL OVERVIEW



To adjust the desired temperature of your fire ensure that the heater is selected on the Home Page in the previous step. Then press, hold, and rotate the temperature dial to set the temperature.

The animation drop down allows you to choose the flame effect for your fire, more flame effects are available to download from our shop on the Home Page. **This is not available on single-colour models.**

The 'Feature lights' button will activate the over fuel-bed lights, if you have a model with tile wings then this button will also turn on the side down-lighters.

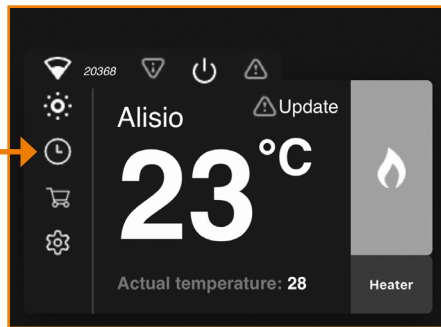
By clicking on lighting settings you can adjust the flame brightness by pressing, holding, and sliding the tab at the bottom of the screen. Slide left to lower the brightness, and right to increase the brightness. You can adjust the fuel bed brightness in the same way with the lower tab slider.

To change the speed of the LED flame effect single press the speed setting option, and slide the top dial left to slow it down, and right to increase the speed. Likewise with the fuel bed speed, slide the lower tab left to slow it down and right to increase it.



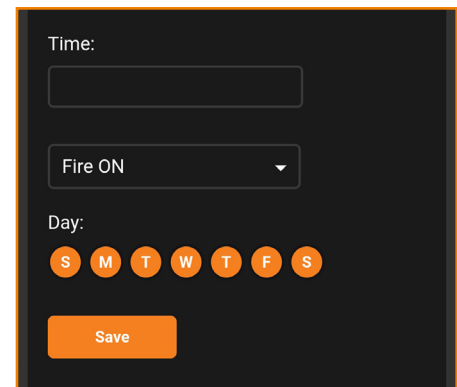
## PROGRAMMING THE TIMER

1



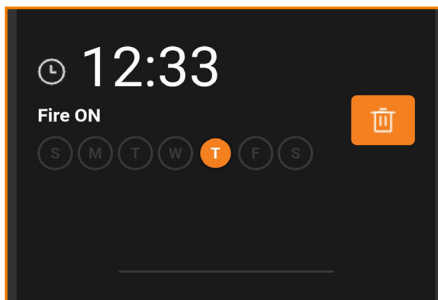
Single press the clock icon on the Home Page to begin programming the Timer.

2



Input your desired time in the Time box, select the action (Fire On/Off, Heater On/Off) you want. Deselect the day/s you don't want it to apply to, and press the Save button.

3



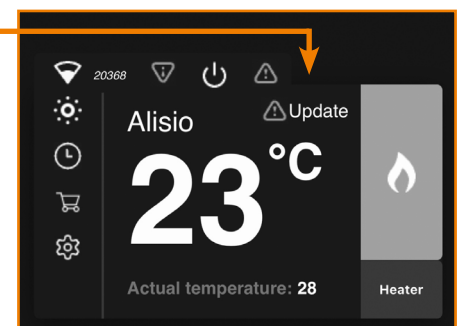
The above screen will now show your set timer. To delete the timer press the bin icon. To add an additional timer scroll down and repeat the process. Press the Back button to return to the Home Page.



## UPDATING YOUR FIRE AND LOGGING OUT

Update your fire by clicking on the triangular icon. Do not turn your fire off until it is complete. It may take up to 10 minutes to update.

To log out of the e-smart cloud app, on your home screen you need to press the 'log out' icon.





## E-SMART REMOTE CONTROL



Top Left - Turn your fire **ON** and **OFF**



Top Right - Turn your feature lights and overbed illumination **ON** and **OFF**



Middle Left - Turn your heater **ON**



Middle Right - Turn your heater **OFF**



Bottom Left - Change the flame animation. **Not applicable with single colour models.**



Bottom Right - Adjust the brightness.

With the remote control the heater is pre-set to **28°**, if you would like to adjust the temperature you need to do this through the app.

The brightness button adjusts the brightness of the fire by **0%, 25%, 50%, and 100%**.



## SETTING TIMERS USING YOUR REMOTE

You can set up timers for your appliance easily by using your remote control.

Once you have turned your fire on using the remote, simply press the **Heater ON** icon to set a 15 minute timer. Each click of the **Heater ON** button adds another 15 minutes to the timer and this can be used for a total of 90 minutes (6 clicks).



## PROBLEMS CONNECTING

If you are having problems connecting your fire with your device and router please try the following steps to fix the issue.

- Switch fire **OFF**
- Switch wi-fi router **OFF**
- Switch fire back ON (Keeping router **OFF**)
- Open the wi-fi settings on your device - find and select your product / fire
- Open the e-smart App on your device and select the settings icon
- In '**Device Name**', rename your fire (Be sure not to use numbers or spaces when renaming your fire)
- In the Settings menu scroll down to the IoT Registration and check that your email and password are correct. You can click the **eye icon** to help you see any mistakes. Press save.
- Check you have selected the correct network and the wi-fi password entered is correct, you can click the **eye icon** to help you see any mistakes.
- Make sure '**Static IP**' is NOT selected (unless advised by an IT professional). Press save and connect.
- Wait 2 minutes for the fire to try and re-connect. Once this process is finished the App will show the home screen (Page 20).
- Switch your fire **OFF**.
- Switch your wi-fi router back **ON**.
- Switch your fire back **ON**.

If your wi-fi signal is weak, the App will show you a red warning message located on the home screen.

If your problems persist after attempting to re-connect, please contact our service department.



## RESETTING YOUR FIRE

If you have entered a wrong email or password during the set-up process, then you may need to reset your fire to factory settings. To do this your fire must be updated to the latest version, you can do this by following the instructions on page 22.

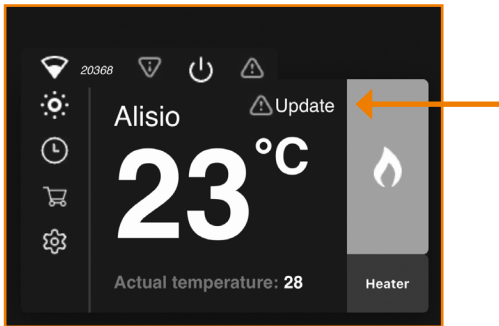
Once your fire is fully updated you can reset it by turning it off and on at the power switch 5 times. Be sure to allow 1 second between each click. There will be an audible beep after this has been done, you can then continue with the set up process on page 18.



## RETRO-FITTING THE REMOTE CONTROL

In order to retro-fit your remote on older models, please ensure you follow these steps **BEFORE** you attempt to use the remote control system.

1



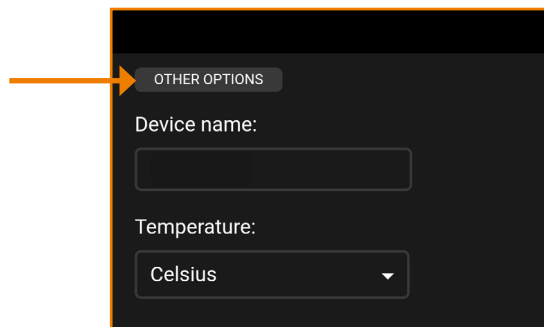
To begin the retro-fit of the remote control, press the 'update' icon on the e-smart cloud app home screen.

2



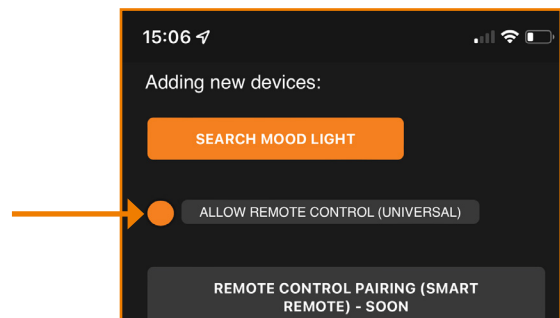
Once the fire has updated, select the settings icon on the home screen.

3



Once the settings panel is open, click 'other options'.

4



Scroll down to the section that states 'allow remote control (universal)'. Ensure this is highlighted and press save.

5

Press save. You will then hear an audible beep to notify you of the pairing.

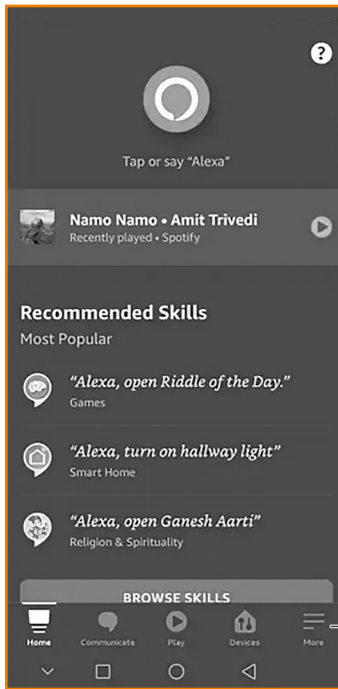
6

Turn your fire OFF, then back ON. You remote will now be paired and ready to use.



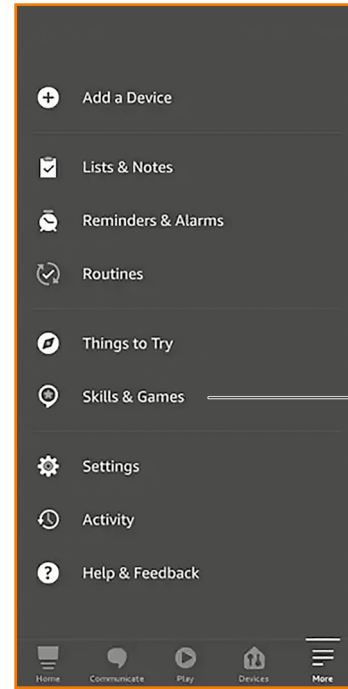
# CONNECTING TO AMAZON ALEXA

1



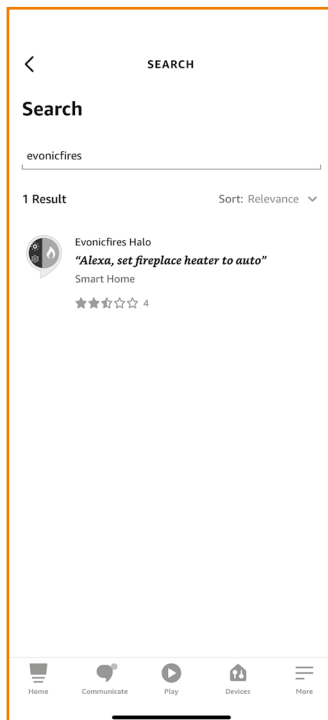
Once your fire is installed, and switched on, download and open the Amazon Alexa app. Once open single press More in the bottom right hand corner.

2



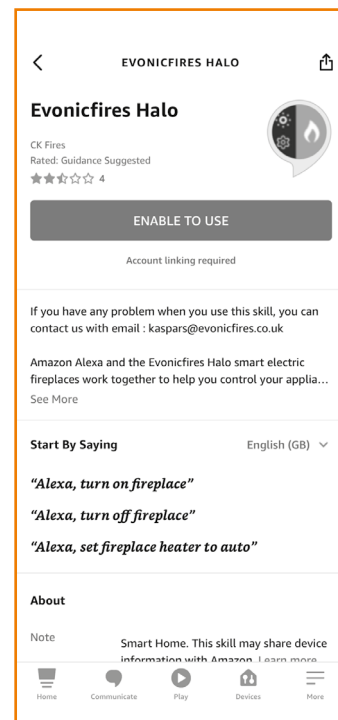
Single press Skills & Games on the pop up list.

3



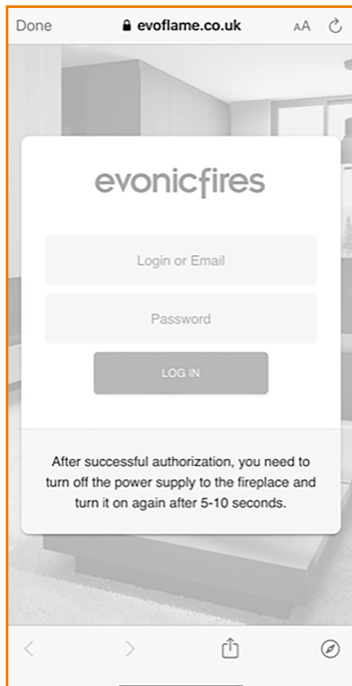
Single press Search and type in evonicfires. Select the Evonicfires Halo skill icon to open.

4



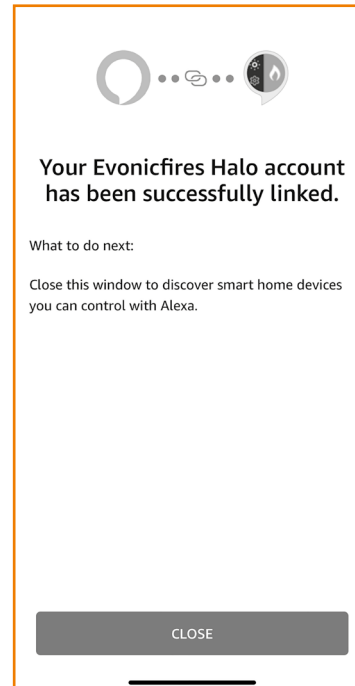
Now on the Evonicfires Halo skill page you can single press the Enable to Use button to go to the log in page.

5



Enter the log in details that you previously entered in the app set up process, and single press Log In.

6



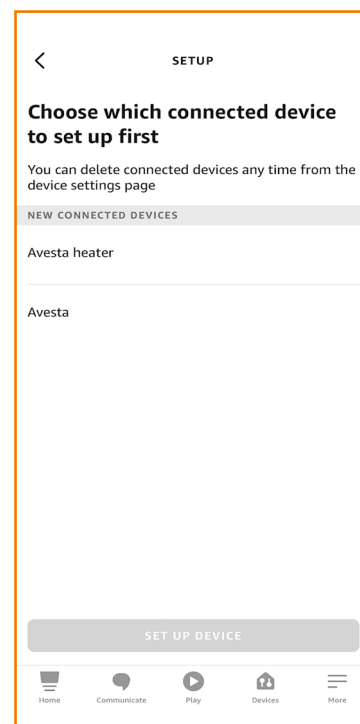
After a few moments your account will be linked, once this is done you can single press Close.

7



Single press Discover Devices to search for your fire.

8



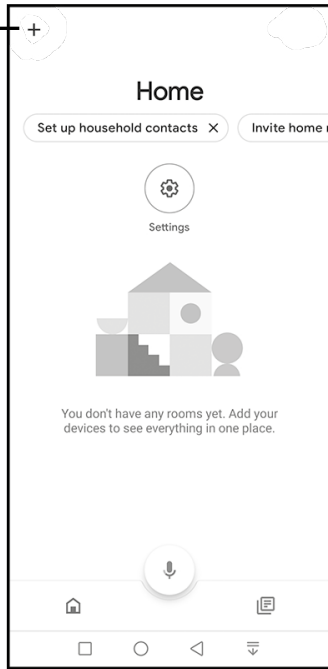
Your fire will show up as two devices, allowing you to programme the heater separately to the effects. Single press the second option, and Set up Device.



# CONNECTING TO GOOGLE HOME

1

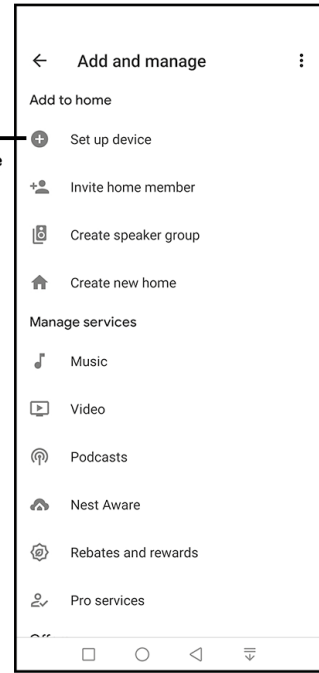
Single press plus symbol



Once your fire is installed, and switched on, download and open the Google Home app. Once open single press the plus symbol in the top left hand corner.

2

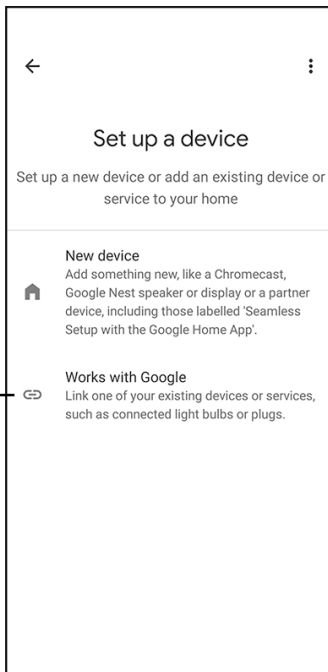
Single press Set up Device



Single press Set up Device on the pop up list.

3

Single press Works with Google



Single press Works with Google.

4

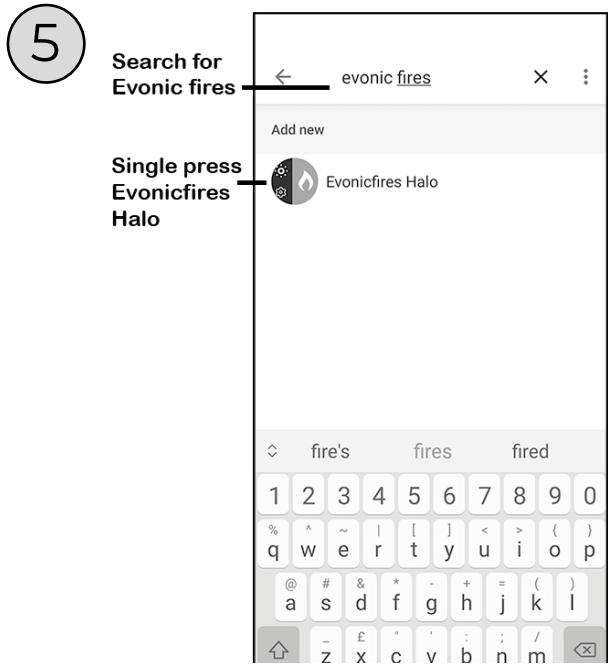
Single press Search



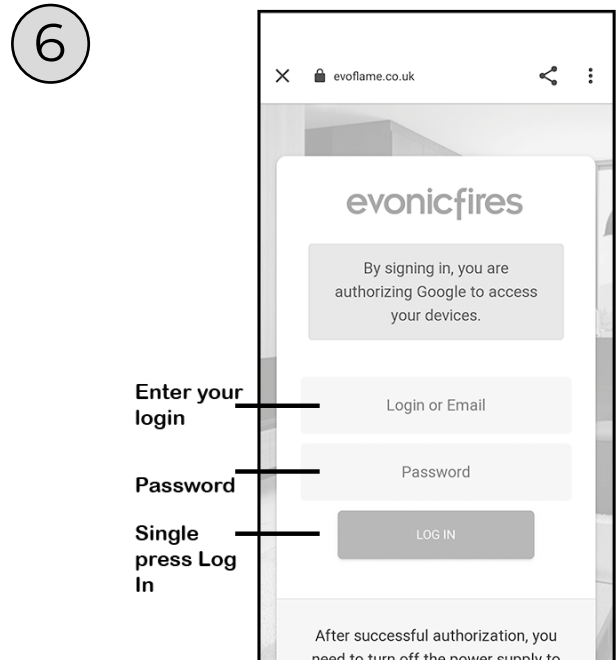
Single press the Search icon in the top right corner.



# CONTINUED...



Type in Evonic Fires, single press search and then select the Evonic Fires E-Smart icon.



Once in the Evoflame log in page, enter the log in details that you previously entered in the app set up process, and single press Log In. Your appliance is now paired with Google Home!





## COMMANDS FOR AMAZON ALEXA

When using Amazon Alexa or to control your appliance settings remember to substitute the words 'the fire' for whatever you have named your appliance.

### TURNING THE APPLIANCE ON AND OFF

*"Alexa, turn fire on."/ "Alexa, turn the fire off."*

### TURNING THE HEATER ON AND OFF

*"Alexa, set fire heater to auto."/ "Alexa, set fire heater to off."*

### CHANGING THE TEMPERATURE

#### ALEXA CAN ONLY CHANGE THE TEMPERATURE BETWEEN 10° & 32°.

*"Alexa, set temperature to 27 degrees."*

*"Alexa, make it warmer in there."* - Increases the temperature by 3°

*"Alexa, make it cooler in there."* - Decreases the temperature by 3°

### CHANGING THE FLAME EFFECT

*"Alexa, set animation to....."*



## COMMANDS FOR GOOGLE HOME

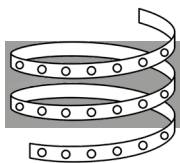
When using Google Home to control your appliance settings remember to substitute the words 'the fire' for whatever you have named your appliance. Please note that the Google Home app cannot control the heater in the appliance.

### TURNING THE APPLIANCE ON AND OFF

*"Ok Google, turn on the fire."/ "Ok Google, turn off the fire."*

### CHANGING THE FLAME EFFECT

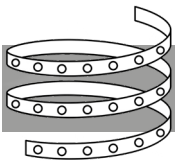
*"Ok Google, change the animation to ..... on the fire."*



## E-LLUMINATE LIGHTING KIT

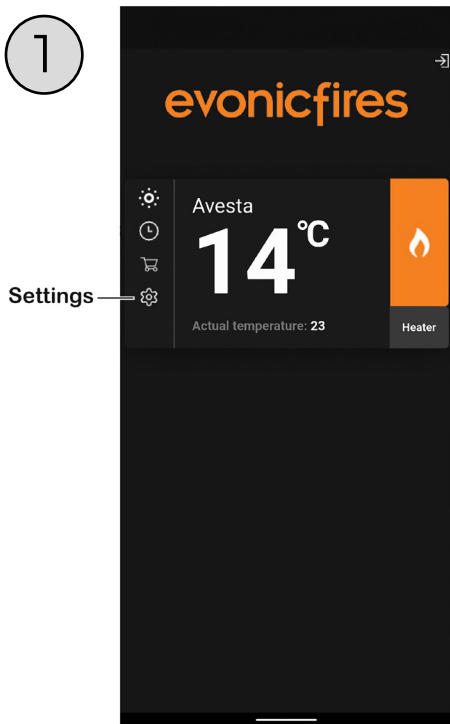
For full instructions on how to install your LED lighting kit, please scan the QR code which will take you to our full manual. Alternatively, if you have installed and plugged in your lighting kit, you can begin setting them up with your e-smart cloud app.





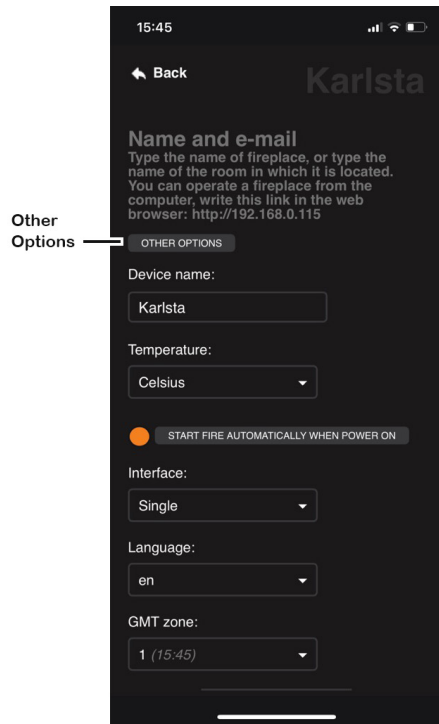
# E-SMART CLOUD APP LED CONNECTION

1



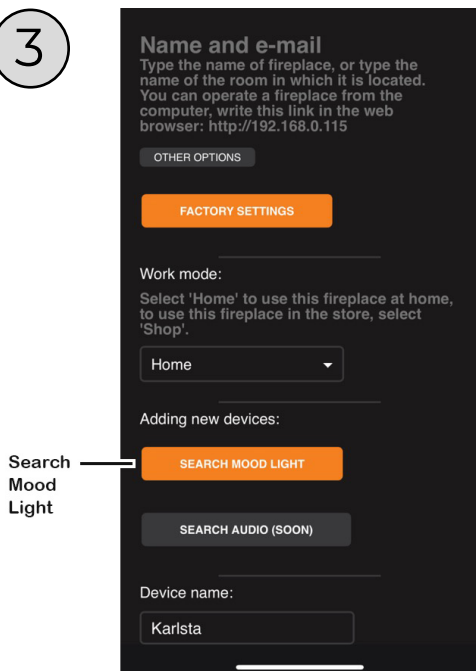
Once the LED strip is plugged into the mains and turned on. Go to the E-Smart app, then select Settings on your Home Page.

2



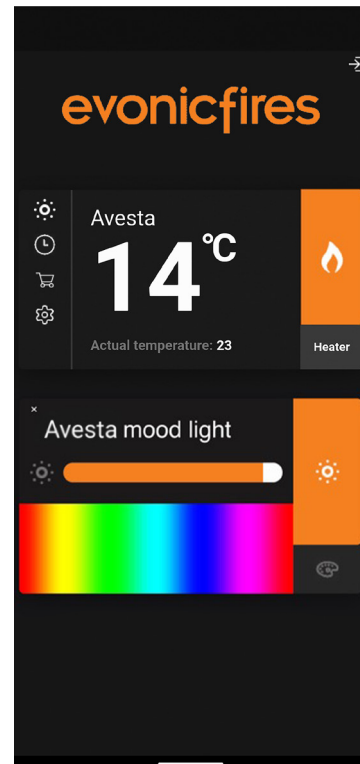
In Settings go to Other Options.

3



Click on Search Mood Light, and wait for the app to connect to the LED strip. This will take approximately 1 minute. Once the LED strip has been successfully connected, the strip will show solid green.

4



Once connected, the mood light option will show on your Home Page, as above.

## WARRANTY

### Evonic Fires 5-year warranty – 1 year parts & labour + 4 years parts supplied.

The above warranty terms and conditions, as of **1st May 2022**, are applicable for all relevant products purchased after this date. Appliances despatched prior to this date will have an alternative warranty as set out within the Installation and User Instructions that was supplied with the product, this was usually a standard 2-year warranty.

To receive your Extended Warranty your Evonic Fires product must have been purchased from an authorised stockist within our Retailer Network and your warranty registered with Evonic Fires through the online form - **[evonicfires.co.uk/register-your-product](https://evonicfires.co.uk/register-your-product)**. The commencement date for the warranty period is the date of purchase.

The product must be adequately serviced and maintained. Evonic Fires provide maintenance call outs at a cost, and information on this can be obtained by contacting our head office. Please see your Evonic Installation Instructions for further information on how to service and maintain your appliance.

During your extended warranty period, only parts supplied or authorised by Evonic Fires can be used to repair your fireplace, and these spare parts can be obtained by contacting our service department at **[service@evonicfires.co.uk](mailto:service@evonicfires.co.uk)** or calling **01789 263868**.

Consumable items such as glass, screens, LED's, LED boards, filters and power supplies which are either subject to normal wear and tear or parts that require replacement in connection with normal maintenance are not covered within the extended warranty. These items are covered for the first 12 months.

To make a warranty claim, evidence must be supplied to our service department in the form of pictures, videos, or both. Failure to supply evidence to support your warranty claim may invalidate or delay the claim. Any visit by an Evonic Fires engineer will incur a service charge after the first year. We will not accept or reimburse the cost(s) of any third party who undertakes any work carried out on the product or fits parts, unless we have approved such work in advance of it being carried out.

## WARRANTY EXCLUSIONS AND LIMITATIONS

### **The Evonic Extended Warranty does not cover:**

1. Damage resulting from installation and usage where the appliance has not been installed or used in accordance with the CK Fires Ltd installation and operation instructions, or if the installation does not conform to local building, fire, and safety regulations.
2. Issues with mains/spur connections of power supply.
3. Damage resulting from the product not being adequately maintained. (Please see your CK Fires Ltd Installation and Operating Instructions for further information on how to service and maintain your appliance).
4. Damage caused by unauthorised modifications, use or repair.
5. Damage or defects caused by the product being stored in a damp, unheated environment.
6. Consequential loss (to the extent permitted by the law) relating to other associated products that have not been supplied by CK Fires Ltd.
7. Consequential loss (to the extent permitted by law) related to decorations, furnishings, or other household assets.
8. Removal and re-installation costs.

## WARRANTY EXCLUSIONS AND LIMITATIONS

Repaired or replaced products are covered only for the remainder of the original warranty period. In the event of a claim being made, this must be reported to your retailer or CK Fires Ltd within 14 days of the fault occurring/being noticed. In the event of a product fault occurring during the warranty period years 2-5, CK Fires Ltd will send the appropriate component or goods necessary to rectify the fault, free of charge.

Nothing in the Extended Warranty shall make CK Fires Ltd liable for any or special, incidental, or consequential damages, injury to persons or property, or any other consequential loss beyond the consumer's statutory rights. The liability on these issues is covered by our Terms and Conditions of Sale.

CK Fires Ltd total liability extends only to the purchase price paid for the goods, except where such a limitation is prohibited by statute. CK Fires Ltd, in the event of a warranty claim, reserves the right either to replace the goods in question or to refund the purchase price of the goods. For product sold outside the UK and Ireland, UK law will prevail.

The Evonic Fires Extended Warranty does not affect your statutory rights.

## REGISTER YOUR EVONIC FIRE



By registering your product on our website you ensure 4 years parts only cover on top of your standard one year warranty. Scan the QR code to take you directly to the registration page and secure your extra cover.

## REPORT A FAULT



If you have any difficulties or problems with your appliance then please get in touch so that we can assist you. Please scan the QR code to be taken to our websites Report a Fault page, we will then be in touch with you shortly.

# evonicfires

CK Fires Ltd / Evonic Fires

1, Evonic House, Clifford Park, Clifford Lane,  
Stratford-on-Avon, CV37 8HW

Tel: +44 (0)1789 263868 Fax: +44 (0)1789 293080

Email: [sales@evonicfires.co.uk](mailto:sales@evonicfires.co.uk)

[www.evonicfires.co.uk](http://www.evonicfires.co.uk)

Follow us on:

Instagram | Facebook | Twitter | LinkedIn

@evonicfires