

evonicfires
quality electric fires built in britain



EVOFLAME INSETS AND STOVES

UK MADE

Evonic Fires occupy a 30,000sq ft manufacturing facility and produce some of the most advanced electric fires in the world, creating an abundance of products to fit any interior. Using components sourced from leading UK suppliers and assembled at our factory premises, Evonic Fires strive to achieve excellence with every fire we despatch. You can also be confident that in choosing an Evonic Fires appliance you are supporting British jobs, reducing your carbon footprint through shorter supply chains, and investing in a product that is built to last.



CERTIFICATION

Our company, CK Fires Ltd, are both ISO 14001 and 9001 certified. Our ISO 14001 certification is for our Environmental Management System, which assists us in minimising our effect on the environment through more efficient use of our resources and reduction of our waste. Our ISO 9001 certification provides guidance for our Quality Management System, which assists us to fulfil requirements and ensure customer satisfaction, while continuously improving the effectiveness of our operations.



NIBE GROUP MEMBER

CK Fires Ltd is a group member of NIBE, a Swedish multinational company that specialises in energy-efficient and environmentally friendly heating solutions. NIBE is a world leader in heating technology, with a wide range of products and solutions for homes, commercial buildings, and industrial applications.

Here for you...

NATIONWIDE RETAILER NETWORK

With our extensive network of over 300 dedicated retailers, it has never been easier to find the Evonic fire you are looking for. Our website features a detailed search engine to locate your nearest Evonic Fires dealer, and you can even narrow the search down to find particular ranges or models using our product filter tool. Scan the QR code to view our retailers page.



CUSTOMER SERVICE

Our dedicated team work tirelessly to ensure we offer the highest calibre of customer service. The Evonic Fires sales department are always on hand to answer any queries you may have regarding our products before or after you make a purchase, and our knowledgeable service department will always have time to discuss any after sales questions, to ensure you are getting the best performance from your Evonic fire.

FIVE YEAR WARRANTY



All our products come with a five year cover as standard. For year one, parts and labour will be covered, and to qualify for the additional four years, parts only warranty, consumers will have to register their product on the Evonic Fires website within 30 days of purchase. During years two to five there will be a manufacturers chargeable service call out option. Scan the QR code to be taken to the product registration page.



Simple operation

Our inset models come with a choice of two control methods, so you can choose the preferred method to operate your new fire that best suits your needs. We offer our inset range with a simple manual control option, with ON/OFF and heater switches located on the side of the fire, or for a more accessible control platform you may wish to choose the Evonic handset. This is an easy-to-use remote that allows access to two heat settings: high or low, brightness control, and timer settings.

Our stove collection offers a multitude of control options to suit every customer. Users can enjoy the ambiance and warmth of an Evonic stove, all whilst controlling it from the comfort of their sofa using the e-smart cloud app, the e-smart remote, or voice control. All platforms allow full access to the features of your stove, including heat settings, animation selection, LED brightness, and animation speed.

Each product page will show icons indicating what control methods are applicable with that particular Evonic product.



Manual control



Inset remote



App control



e-smart remote



Features

BESPOKE FUEL BED & FUEL SET



Each Evonic Fires model comes complete with a bespoke fuel bed and fuel set, chosen specifically by our design team to enhance the aesthetic of your fire.

FINISH OPTIONS



evoflame® TECHNOLOGY

By using the very latest LED lighting technology, Evonic Fires produce some of the most vibrant and realistic electric fires in the world. **evoflame®** is created by using a combination of fans and carefully placed textured ribbons to create this multi-award-winning effect. Scan the QR code to view **evoflame®** in action.



Argenta 16



Shown in black nickel

- 750 / 1500W heat outputs
- Ceramic log set
- Concealed top heater
- Award-winning **evoflame®** effect
- Glass fronted
- Overbed illumination system
- 75mm deep
- Fits into 16" x 22" opening
- Available in chrome and black nickel
- Remote controlled

Argenta 22



Shown in chrome

- 750 / 1500W heat outputs
- Ceramic log set
- Concealed top heater
- Award-winning **evoflame®** effect
- Glass fronted
- Overbed illumination system
- 75mm deep
- Fits into 16" x 22" opening
- Available in chrome and black nickel
- Remote controlled

Oberon



Shown in chrome

- 750 / 1500W heat outputs
- Ceramic log set
- Concealed top heater
- Award-winning **evoflame®** effect
- Cast frame and ashpan
- Open fronted
- 75mm deep
- Fits into 16" x 22" opening
- Available in black nickel, chrome or gold
- Manual or remote controlled

Strellar



Shown in gold

- 750 / 1500W heat outputs
- Glass fronted
- 75mm deep
- Fits into 16" x 22" opening
- Available in black nickel, chrome or gold
- Manual or remote controlled
- Ceramic log set
- Award-winning **evoflame®** effect
- Cast frame and ashpan

Kepler 22



Shown in black nickel

- 750 / 1500W heat outputs
- Glass fronted
- Ceramic log set
- Award-winning **evoflame®** effect
- Hot ash effect fuel bed
- Overbed illumination system
- 75mm deep
- Fits into 16" x 22" opening
- Available in nickel, chrome, black or brass
- Manual or remote controlled

Colorado



Shown in chrome

- 750 / 1500W heat outputs
- Glass fronted
- Ceramic log set
- Award-winning **evoflame®** effect
- Concealed top heater
- Overbed illumination system
- 75mm deep
- Fits into 16" x 22" opening
- Available in nickel, chrome, black or brass
- Manual or remote controlled

Sphera



- 750 / 1500W heat outputs
- Curved front glass
- Ceramic log set
- Award-winning **evoflame®** effect
- Bottom mounted heater
- Overbed illumination system
- 75mm deep
- Fits into 16" x 22" opening
- Black with decorative chrome frame
- Remote controlled

Topaz



Shown in chrome

- 750 / 1500W heat outputs
- Ceramic log set
- Award-winning **evoflame®** effect
- Overbed illumination system
- 75mm deep
- Fits into 16" x 22" opening
- Available in polished chrome
- Manual or remote controlled

Tuva



- 750 / 1500W heat outputs
- Glass fronted
- Woodland or silver birch split log set
- Award-winning **evoflame®** effect
- Decorative log storage space
- Overbed illumination system
- Independent fuel bed settings
- 14 flame effects to choose select
- Works with Amazon Alexa or Google Assistant
- Remote or e-smart cloud app control

Halmstad



- 750 / 1500W heat outputs
- Glass fronted
- Woodland or silver birch split log set
- Award-winning **evoflame®** effect
- Decorative log storage space
- Overbed illumination system
- Independent fuel bed settings
- 14 flame effects to select
- Works with Amazon Alexa or Google Assistant
- Remote or e-smart cloud app control

Halden



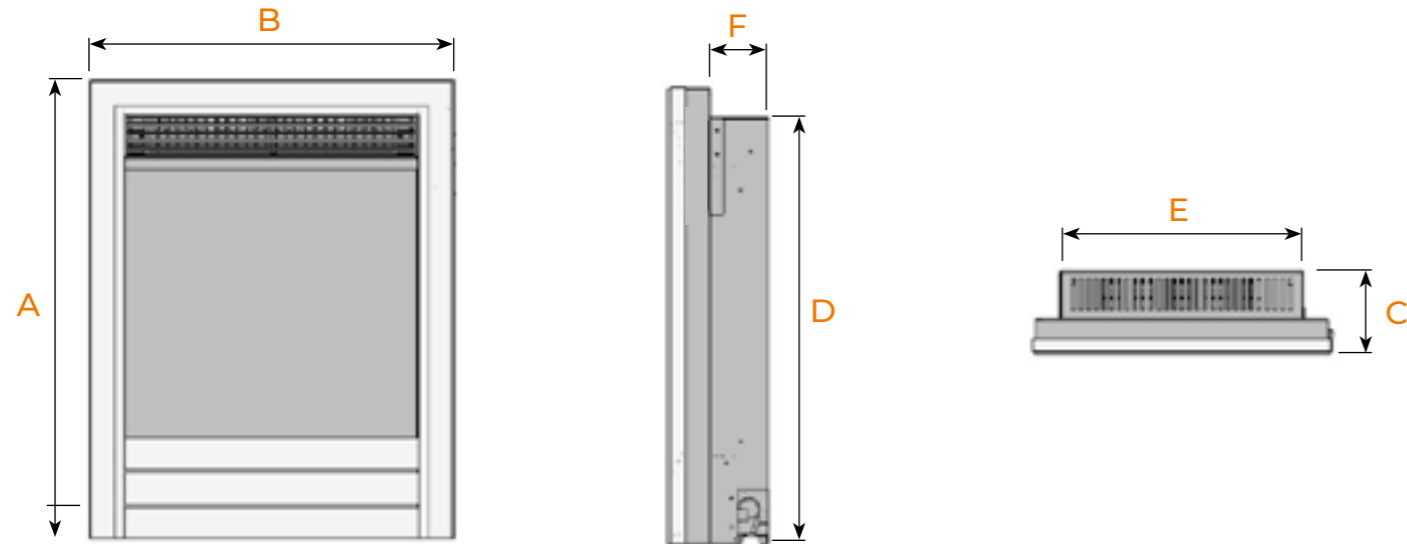
- 750 / 1500W heat outputs
- Glass fronted
- Woodland or silver birch split log set
- Award-winning **evoflame®** effect
- Decorative log storage space
- Overbed illumination system
- Independent fuel bed settings
- 14 flame effects to choose select
- Works with Amazon Alexa or Google Assistant
- Remote or e-smart cloud app control



Download our brochures by scanning the QR code or from our website www.evonicfires.co.uk



Specifications



SPACER OPTIONS

Can't find a model that suits the depth of your fire? A spacer may be exactly what you need! Our 75mm spacer frame can be easily fitted to the rear of all inset models, and will reduce the required depth of the inset by 75mm.



Dimensions

Product	Total Height A	Total Width B	Total Depth C	Inset Height D	Inset Width E	Inset Depth F
Argenta 16	590mm	464mm	127mm	550mm	382mm	75mm
Argenta 22	606mm	638mm	125mm	550mm	382mm	75mm
Oberon	615mm	515mm	200mm	550mm	382mm	75mm
Stellar	615mm	515mm	200mm	550mm	382mm	75mm
Kepler 22	605mm	645mm	135mm	550mm	382mm	75mm
Colorado	605mm	460mm	130mm	550mm	382mm	75mm
Sphera	600mm	475mm	204mm	550mm	382mm	75mm
Topaz	605mm	645mm	135mm	550mm	382mm	75mm
Halmstad	831mm	863mm	331mm	N/A	N/A	N/A
Tuva	1014mm	493mm	342mm	N/A	N/A	N/A
Halden	1015mm	488mm	416mm	N/A	N/A	N/A

Manufactured in the United Kingdom. The images in this brochure are produced using photography and CGI. Although the utmost care has been taken to accurately portray our products, we always advise a viewing in person at an approved Evonic Fires retailer's showroom. Evonic Fires pride itself on constant development and improvement. Product descriptions are accurate at the time of publishing but are subject to change.

Images of fireplace hearths supplied by Trent Fireplaces - www.trent-fireplaces.co.uk | 0115 979 0330.

evonicfires

DEALER STAMP

ISSUE 01

+44 (0) 1789 263868 | sales@evonicfires.co.uk | www.evonicfires.co.uk



www.carbonbalancedpaper.com
CIP1234567