

# INSETS

## INSTRUCTION MANUAL

Kepler 22  
Colorado  
Oberon  
Topaz

Stellar  
Sphera  
Argenta 16  
Argenta 22

C1  
C2  
C3

# CONTENTS

EU Directives and UKCA Standards.....	3
Important Information and Health & Safety.....	4
Components for Insets.....	5
Operating Instructions.....	6
Installation.....	10
Slide in models.....	14
Tie-back models.....	16
With spacer.....	18
Wall-Mounted.....	20
Removing the Glass.....	22
Fitting the Fascia.....	27
Troubleshooting.....	30
Warranty.....	31

The following materials and components should be disposed of in accordance with the below table.

Metal - Steel or cast iron	Can be taken to a local recycling centre for reuse to reduce waste going to landfill
Glass & Screens	Can be taken to a local recycling centre for reuse to reduce waste going to landfill.
Vermiculite	Non hazardous material. Vermiculite can be crushed up and used for plant bedding and ash used for composting or disposed of at a local recycling centre for reuse to reduce waste going to landfill.
Electrical components - Fans, heater elements, PCB's, Power pack's, LED's	Dispose at a local recycling centre In accordance with latest WEEE directive.
Log fuel effects	These logs contain refractory ceramic fibre materials which requires disposal in accordance with WEEE legislation.
Natural Wood	Can be taken to a local recycling centre for reuse to reduce waste going to landfill

## EU DIRECTIVES

All Evonic Fires products meet the requirements of the EC Directives.  
These directives have been met by compliance with the following standards:

EU 2011-65/EU 2015/863 Restriction of Hazardous Substances.

References to the relevant designated standards used:

EN 55014-1:2006 + A1:2009 + A2:2011 Electromagnetic Compatibility.

EN 55014-2:2015 Electromagnetic Compatibility.

EN 61000-3-2:2014 Electromagnetic Compatibility (EMC). Limits. Limits for Harmonic Current Emissions.

EN 61000-3-3:2013 Electromagnetic Compatibility (EMC). Limits. Limitation of Voltage Changes, Voltage Fluctuations and Flicker.

EN 60335-1:2012 + A11:2014 Household and similar electrical appliances - Safety

EN 60335-2-30:2009+A11:2012 Household and similar electrical appliances. Safety. Particular requirements for room heaters

## UKCA STANDARDS

All Evonic Fires products are in conformity with the relevant UK Statutory Instruments (and their amendments).

2016 No. 1101 The Electrical Equipment (Safety) Regulations 2016

2016 No. 1091 The Electromagnetic Compatibility Regulations 2016

2012 No. 3032 The Restriction Of Use Of Certain Hazardous Substances In Electrical And Electronic Equipment Regulations 2012



## IMPORTANT INFORMATION AND HEALTH & SAFETY

- Read all of the instructions carefully before using the appliance, only use this appliance as described in this manual. Any other use not recommended by the manufacturer may cause injury to persons, or damage to the appliance.
- Remove all packaging and dispose of it at an appropriate recycling facility.
- When transporting or storing the appliance and power lead, keep in a dry place, away from excessive vibration and store so as to avoid damage.
- Do not install this appliance immediately in front of a fixed socket outlet.
- Do not install this appliance in the immediate surroundings of a bath, shower, swimming pool or any other area where the appliance could come into contact with water or humidity, e.g. a bathroom.
- Do not use in areas where gasoline, paint, or any flammable liquids are used or stored.
- This appliance is only suitable for indoor use, do not use outdoors.
- Do not cover the appliance, or let the air inlet/outlet to be obstructed in any way as it may overheat.
- Keep the power lead away from hot surfaces and hot conditions, including the heater outlet. Do not route the power lead in front of the appliance, or under any carpets or rugs.
- Always use a certified electrician should new circuits or outlets be required, and always use properly grounded, fused and polarized outlets.
- Where the power lead passes through any masonry wall, stone surround etc. ensure that suitable rubber bushes are fitted at any possible wear points.
- If the power lead is damaged do not use the appliance until it has been replaced.
- Do not use any external switching device, timers, or extension leads. Do not connect the appliance to a circuit that is frequently switched on and off by the utility.
- In the event of a malfunction, switch off the appliance, and disconnect it from the mains power supply. Have the appliance inspected by a certified electrician before reusing.
- Do not use the appliance if it is damaged. In the event of any damage to the appliance, please contact the retailer from whom the appliance was purchased.
- Any repairs must only be performed by a certified electrician.
- This appliance can be used by children aged from 8 years and above, and persons with reduced physical, sensory or mental capabilities or lack of experience and knowledge if they have been given supervision or instruction concerning the use of the appliance in a safe way and understand the hazards involved. Children under the age of 3 years should be kept away from the appliance unless supervised.
- Disconnect from the power supply before performing any cleaning, maintenance or relocation of the unit. Do not use steam cleaners, or aerosols near the appliance.
- Do not burn wood or anything else in this appliance.
- Do not strike the glass.
- Do not drill or screw any new holes into the appliance.

## COMPONENTS FOR INSETS

Name	Fuel Sets	Suction Lifters	Remote Control (Optional)	Spacer (Optional)	Frame	Frame Fret	Installation Kit			Electrical Lead	Inset Instruction Manual
							Infill Plate	Magnets	Cast Frame Fixing Kit		
Colorado	Logs / Pebbles White/Beach / Log & Pebbles / Coals	2 x	YES	75mm	1 x			4 x		1 x	1 x
Kepler 22	Logs / Pebbles White/Beach / Log & Pebbles / Coals	2 x	YES	75mm	1 x			4 x		1 x	1 x
Oberon	Logs / Pebbles White/Beach / Log & Pebbles / Coals		YES	75mm	1 x	1 x fret 2 x screws			1 x	1 x	1 x
Stellar	Logs / Pebbles White/Beach / Log & Pebbles / Coals	2 x	YES	75mm	1 x	1 x fret 2 x screws			1 x	1 x	1 x
Argenta 16	Ceramic Log Set	2 x	YES	75mm	1 x			4 x		1 x	1 x
Argenta 22	Ceramic Log Set	2 x	YES	75mm	1 x			4 x		1 x	1 x
Sphera	Ceramic Log Set	2 x	YES	75mm	1 x			4 x		1 x	1 x
Topaz	Logs / Pebbles White/Beach / Log & Pebbles / Coals	2 x	YES	75mm	1 x			4 x		1 x	1 x
C1 Models	Ceramic Log Set	2 x	YES	75mm	1 x			4 x		1 x	1 x
C2 Models	Ceramic Log Set	2 x	YES	75mm	1 x			4 x		1 x	1 x
C3 Models	Ceramic Log Set	2 x	YES	75mm	1 x			4 x		1 x	1 x

---

# **OPERATING INSTRUCTIONS**

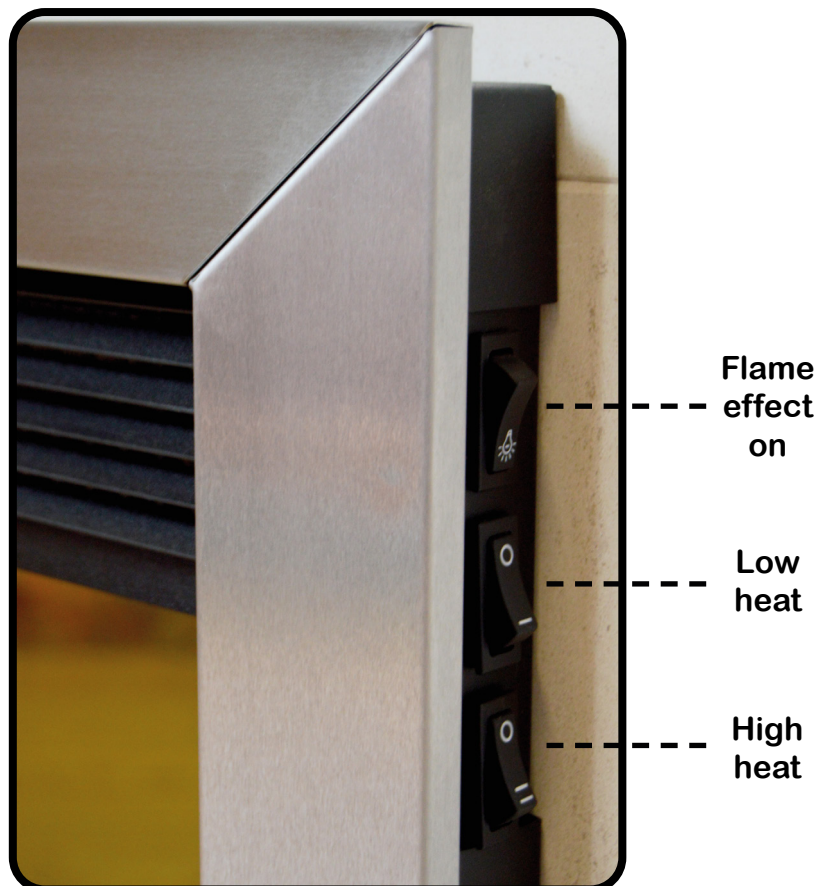
**Manual**

**Remote Control**

**E-smart Remote**

---

## MANUAL OPERATION

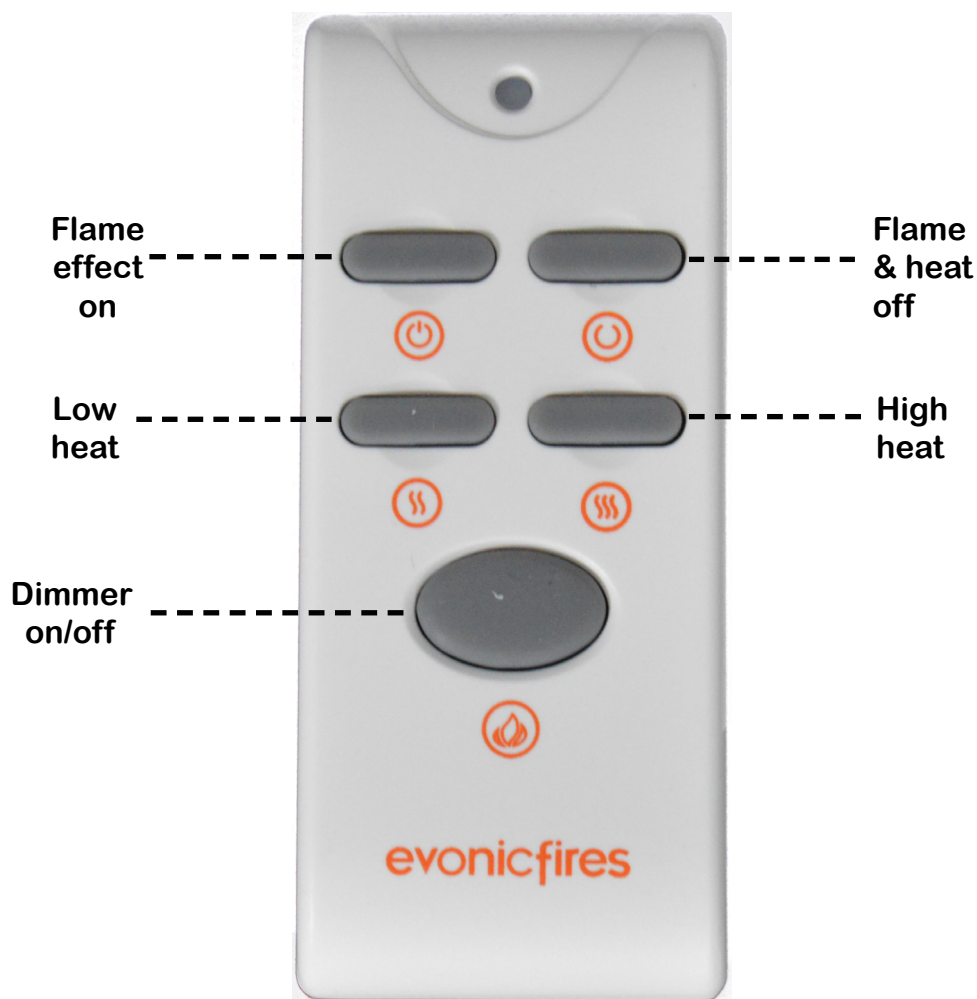


You can operate your appliance using the manual rocker switches located on the right hand side.

Please note there is no manual dimmer control.

- To turn on the appliance and activate the flame effect, press the top rocker switch to the I/ On position.
- To activate the heater at Low Heat, press the middle rocker switch to the I position. To deactivate, switch the rocker switch back.
- To activate the heater at High Heat, press the bottom rocker switch to the II position. To deactivate, switch the rocker switch back.
- To turn off the heater and flame effect, press the top rocker switch to the Off position.
- If your appliance is fitted with a thermostat you can adjust the heat output by turning left to decrease the heat, and right to increase the heat.

## REMOTE CONTROL OPERATION

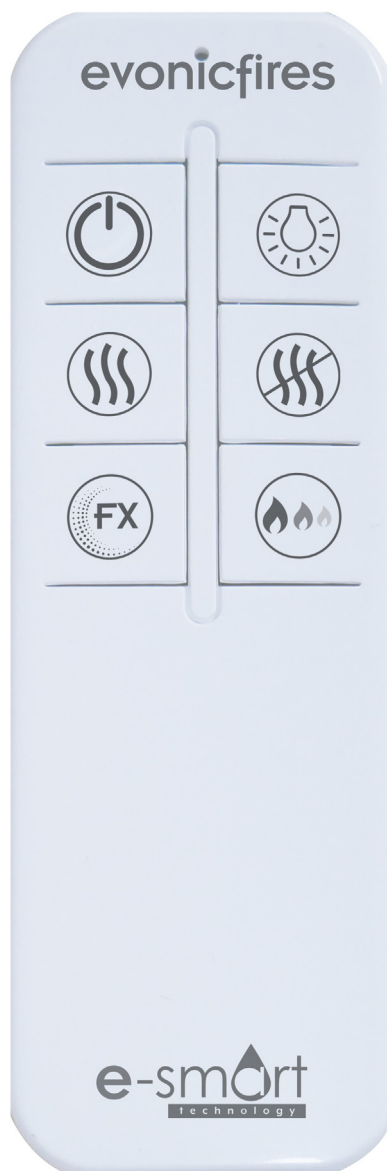


You can operate your appliance using the optional remote control. Ensure that the rocker switch on the appliance is in the I/On position, then you can use the remote to control the appliance.

- To turn on the flame effect, press the top left button.
- To activate the heater at Low Heat, press the bottom left button.
- To activate the heater at High Heat, press the bottom right button.
- To turn off the heater and flame effect, press the top right button.
- To activate the dimmer function, press the large bottom button once to start, and then again to stop at the desired dimmer setting.
- To turn off the appliance, press the rocker switch on the appliance to the On/Off position.



# E-SMART REMOTE OPERATION - ALL C1 / C2 / C3 MODELS



Top Left - Turn your fire ON and OFF



Middle Right - Turn your heater OFF



Top Right - Turn your feature lights ON and OFF



Bottom Left - Change the flame animation



Middle Left - Turn your heater ON



Bottom Right - Adjust the brightness.

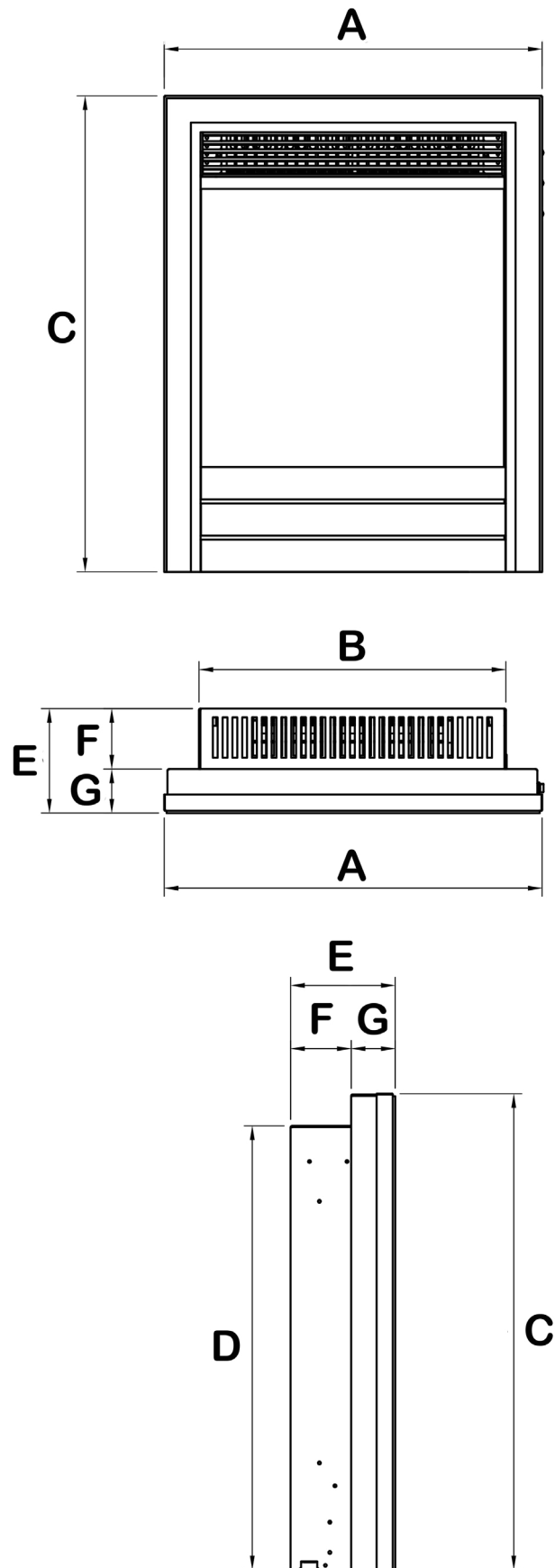
---

# INSTALLATION

---

## MODEL DIMENSIONS

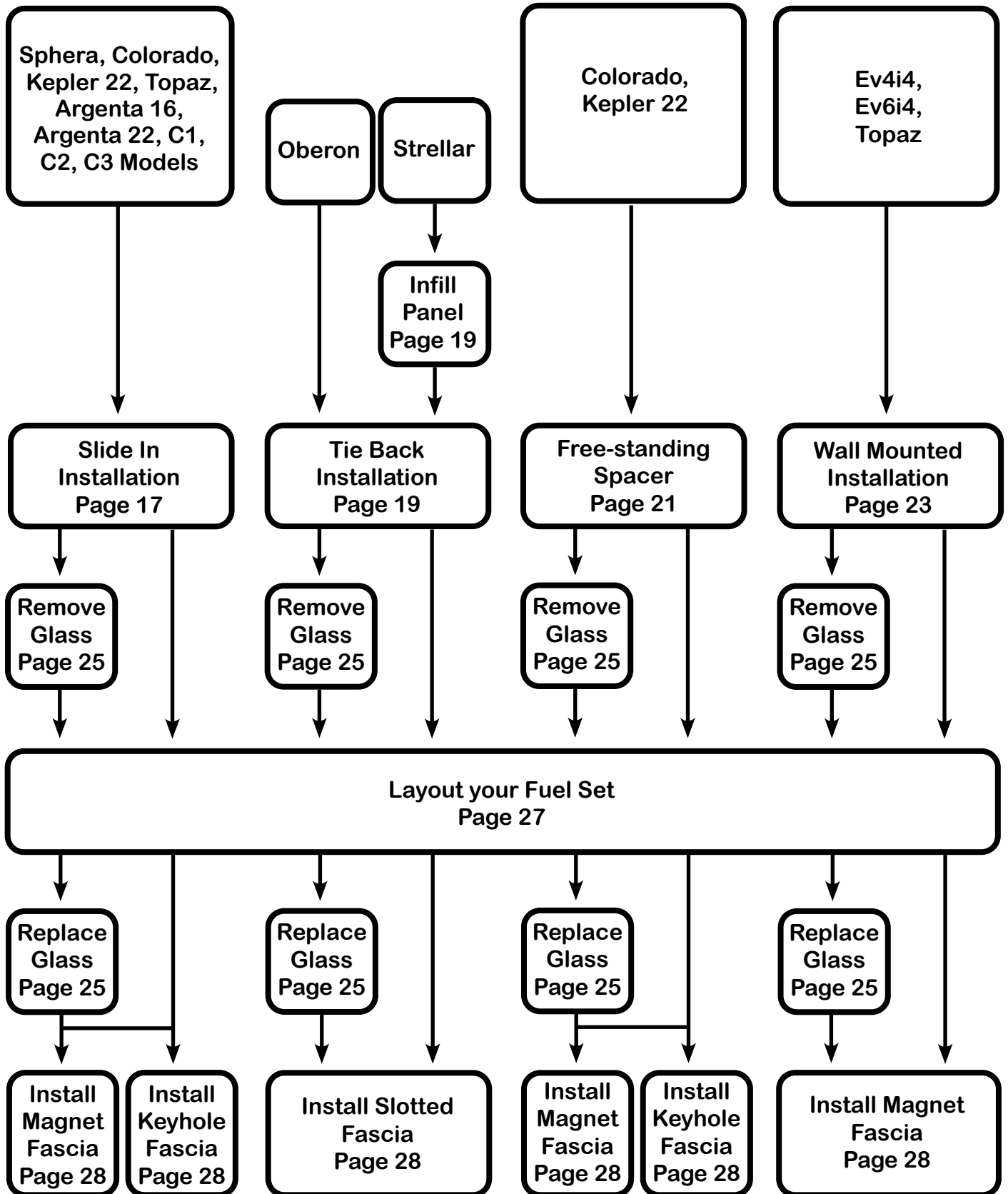
The model shown in these drawings is a Colorado for illustrative purposes, please refer to the table for your specific models size.



## MODEL DIMENSIONS

Model	Width		Height		Depth		
	Overall (A)	Insert (B)	Overall (C)	Insert (D)	Overall (E)	Insert (F)	Frame (G)
Colorado	460mm	382mm	605mm	550mm	130mm	75mm	55mm
Kepler 22	645mm	382mm	605mm	550mm	135mm	75mm	60mm
Oberon	515mm	382mm	615mm	550mm	200mm	75mm	125mm
Stellar	515mm	382mm	615mm	550mm	200mm	75mm	125mm
Sphera	475mm	382mm	600mm	550mm	204mm	75mm	50mm
Argenta 16	464mm	382mm	590mm	550mm	127mm	75mm	52mm
Argenta 22	638mm	382mm	605mm	550mm	125mm	75mm	50mm
Topaz	645mm	382mm	605mm	550mm	135mm	75mm	60mm
C1 Brooklyn	490mm	382mm	605mm	550mm	380mm	300mm	80mm
C1 Stellar	515mm	382mm	615mm	550mm	425mm	300mm	125mm
C1 Argenta	464mm	382mm	590mm	550mm	352mm	300mm	52mm
C1 Colorado	460mm	382mm	605mm	550mm	355mm	300mm	55mm
C1 Detroit	460mm	382mm	590mm	550mm	405mm	300mm	105mm
C2 Brooklyn	490mm	382mm	605mm	550mm	280mm	200mm	80mm
C2 Stellar	515mm	382mm	615mm	550mm	325mm	200mm	125mm
C2 Argenta	464mm	382mm	590mm	550mm	252mm	200mm	52mm
C2 Colorado	460mm	382mm	605mm	550mm	255mm	200mm	55mm
C2 Detroit	460mm	382mm	590mm	550mm	305mm	200mm	105mm
C3 Brooklyn	490mm	382mm	605mm	550mm	230mm	150mm	80mm
C3 Stellar	515mm	382mm	615mm	550mm	275mm	150mm	125mm
C3 Argenta	464mm	382mm	590mm	550mm	202mm	150mm	52mm
C3 Colorado	460mm	382mm	605mm	550mm	205mm	150mm	55mm
C3 Detroit	460mm	382mm	590mm	550mm	255mm	150mm	105mm

# INSTALLATION PROCESS



# INSTALLATION

## Slide in

Kepler 22  
Topaz  
Colorado  
Sphera

Argenta 16  
Argenta 22

C1  
C2  
C3

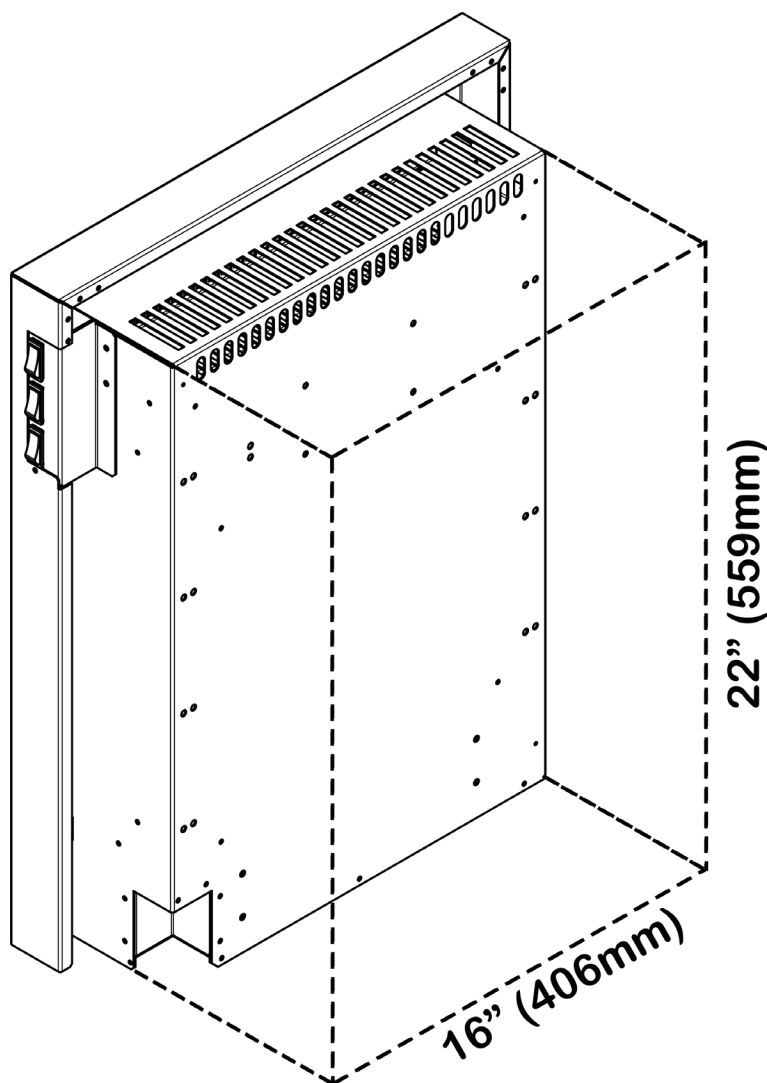
## INSTALLATION

All our inset models are designed to be fitted into a standard 16" wide x 22" high opening. Before starting the installation check the dimensions of both the appliance and your opening to ensure that they align well.

Please note, if you are installing into an existing chimney breast it is imperative that the flue is adequately blocked off.

### SLIDING IN

Once the dimensions have been checked, attach the electrical lead to the power inlet on the back lower right. Connect the electrical lead to the mains power, then slide the appliance into the prepared opening.



---

# INSTALLATION

## Tie Back Models

Oberon	Stellar	
--------	---------	--

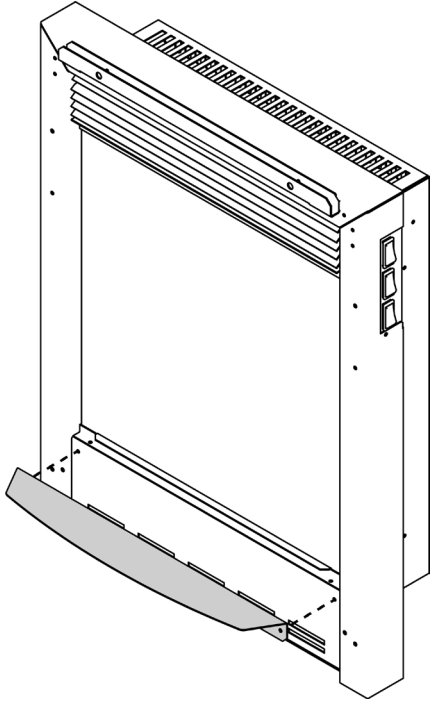


## INSTALLATION

All our inset models are designed to be fitted into a standard 16" wide x 22" high opening. Before starting the installation check the dimensions of both the appliance and your opening to ensure that they align well.

Please note, if you are installing into an existing chimney breast it is imperative that the flue is adequately blocked off.

### STRELLAR INFILL PLATE

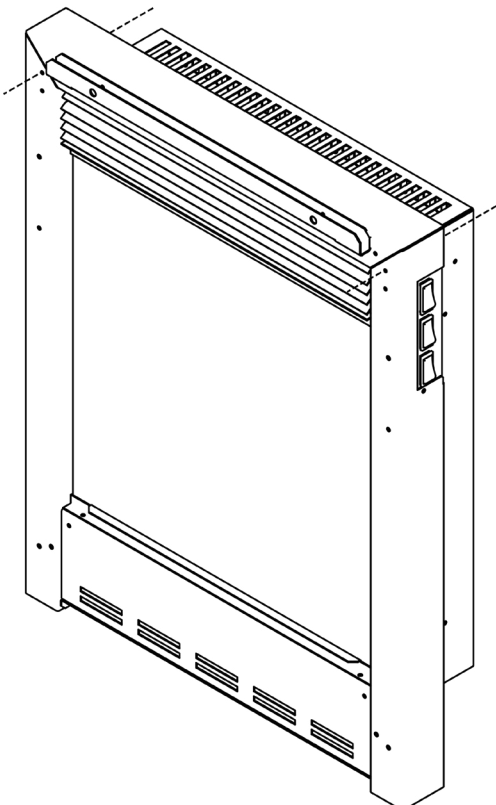


Our Strellar model comes with an infill plate and 2x screws, if you have an Oberon model you can skip to the section below and continue with the installation.

To fit the Infill plate, screw in the two screws to either side of the plate as shown. This lines up with the two screw holes on the front of the appliance.

You can now continue the installation in the below section.

### STRELLAR & OBERON INSTALLATION



First attach the electrical lead to the power inlet on the back lower right, and plug into the mains power.

Using the Cast Frame fixing kit, drill and fit the x 2 wall plugs and x 2 screw eyes to the inside of the wall opening.

Then using the cable, form a loop by threading it through one of the holes on the front of the appliance, then through the eye screws, and back through another hole on the appliance. You can use the most conveniently positioned hole on the appliance for your installation.

Now move the appliance into the opening, pulling the solid end of the cable against the appliance.

Feed the barrel clamp onto the open end of the cable, and whilst maintaining tension screw it tight.

Cut the cable approximately 50mm away from the barrel clamp.

---

# INSTALLATION

## With Spacer

---

All Models

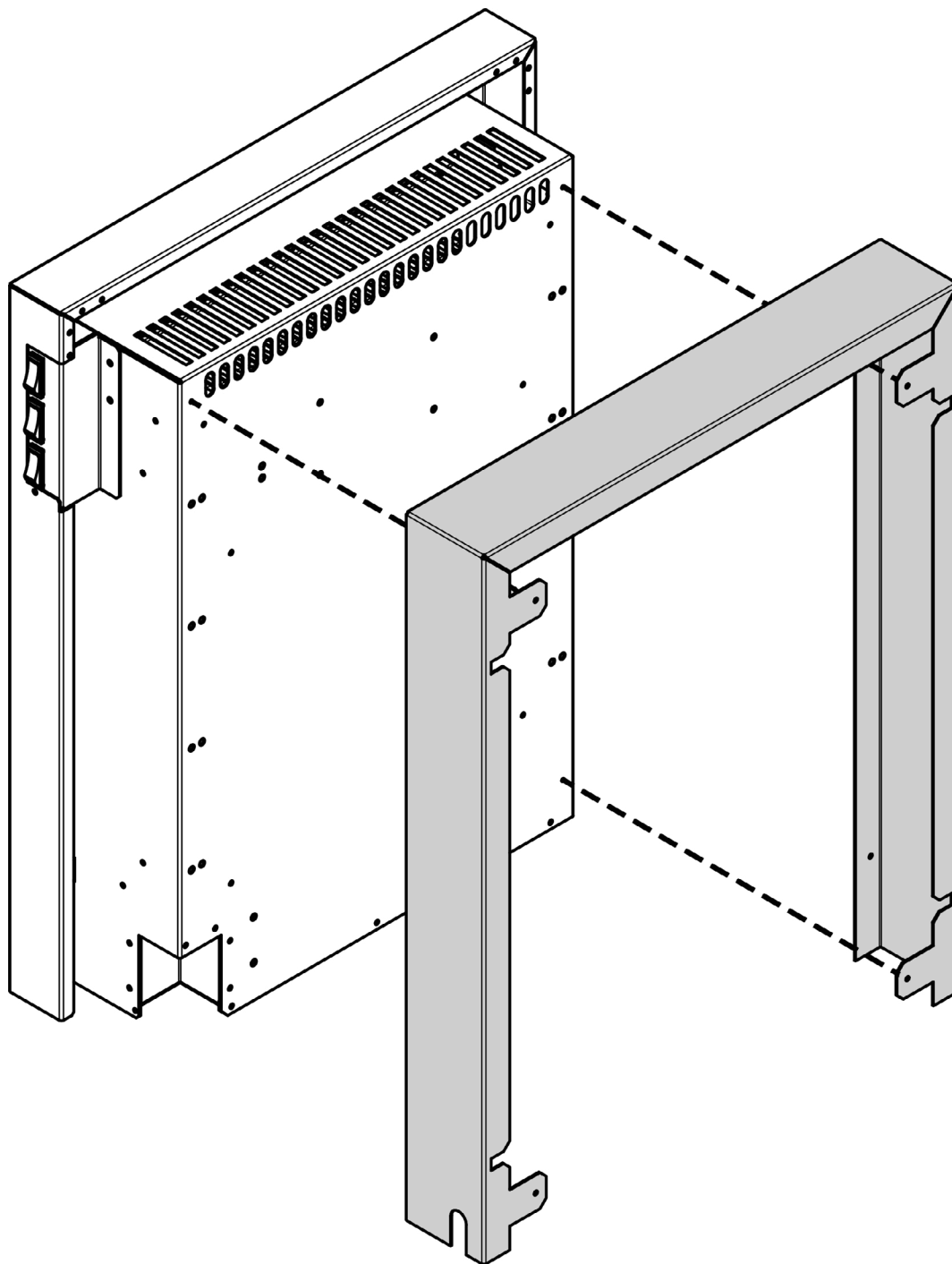
---

## INSTALLATION

To convert your appliance to a free-standing unit you can fit an optional spacer.

Before securing the spacer, attach the electrical lead to the inlet at the back bottom corner of the appliance. Once the spacer is fitted it will be more difficult to attach this.

Position the spacer at the back of the appliance and line up the three screw holes on both appliance and spacer. Then screw in your three screws as shown below. The electrical lead can then slot into the semi circular hole, allowing the appliance to sit free-standing on the floor.



---

# INSTALLATION

## Wall Mounted

---

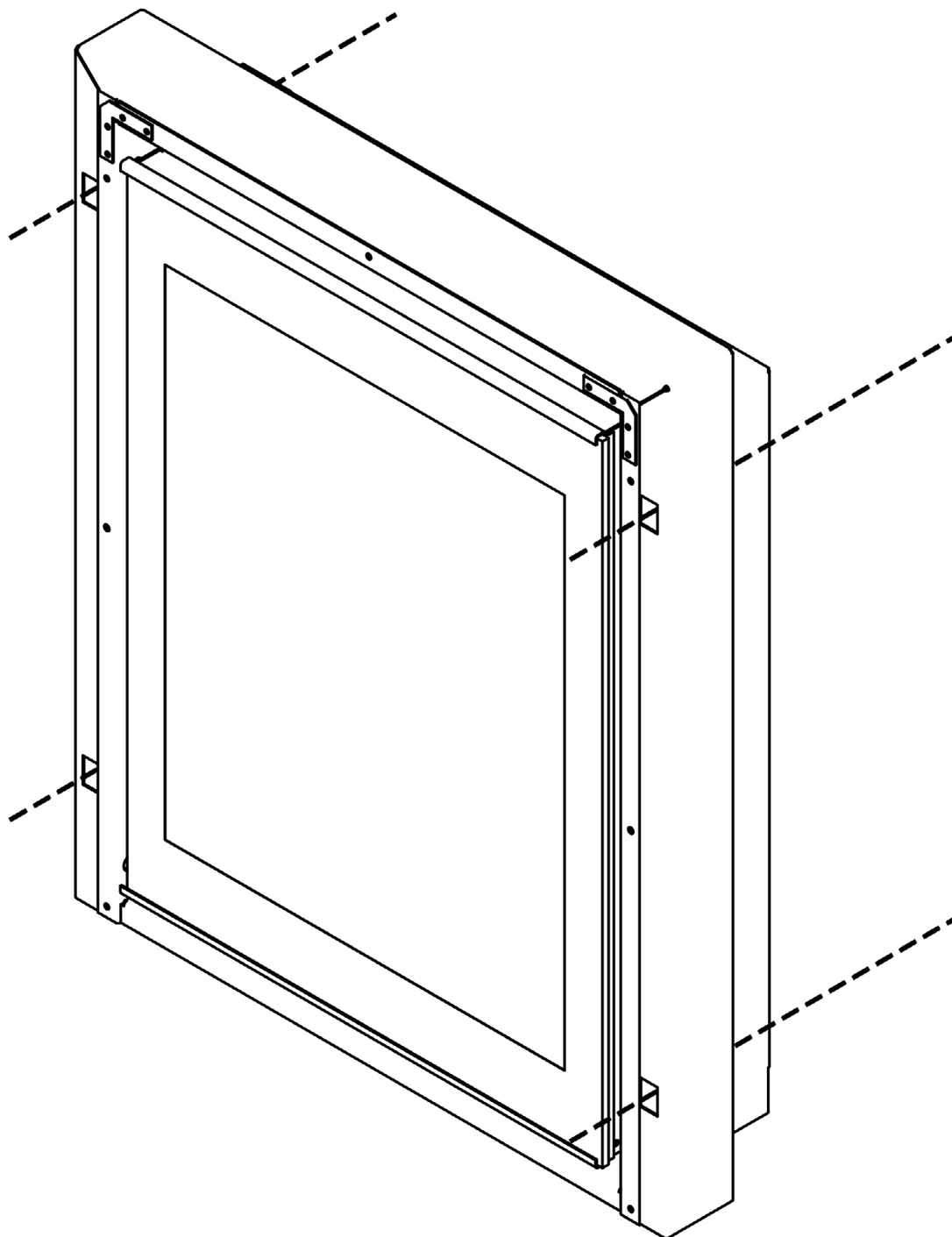
Topaz

---

## INSTALLATION

All our inset models are designed to be fitted into a standard 16" wide x 22" high opening. Before starting the installation check the dimensions of both the appliance and your opening to ensure that they align well.

Once the measurements are confirmed, plug in the appliance and slide it into the prepared opening. The appliance can then be secured to the wall with the four screws as shown below.



---

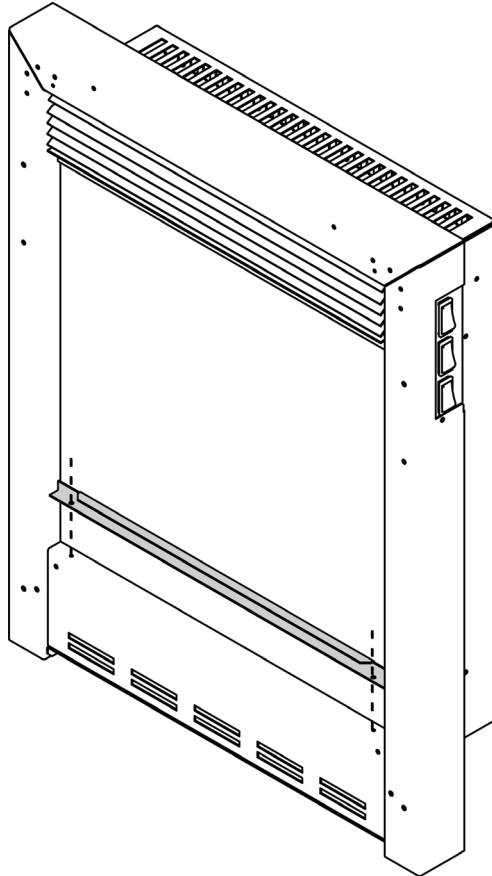
# REMOVING THE GLASS

---

Kepler 22 Stellar Argenta 16 Argenta 22 Colorado	C1 C2 C3
--	----------------

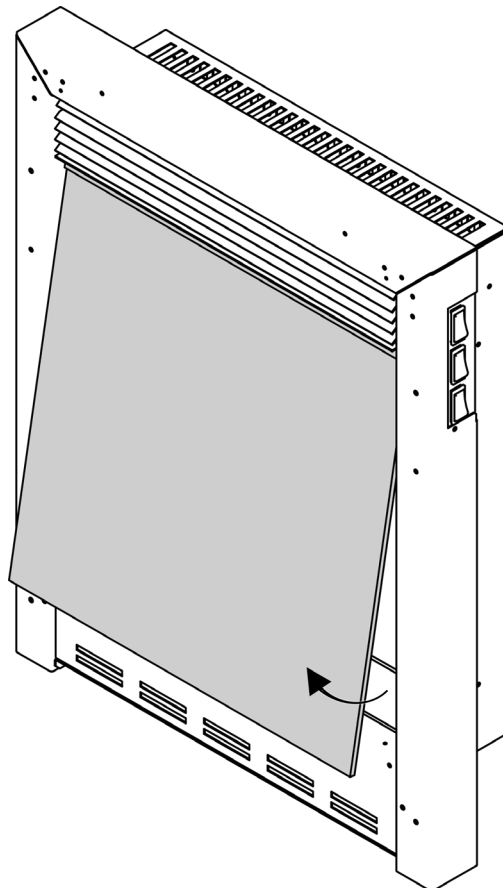
1

Unscrew the two screws, and remove the bottom glass retainer from the appliance.



2

The glass can now be removed from the appliance. To replace the glass, follow the steps in reverse.



---

# REMOVING THE GLASS

---

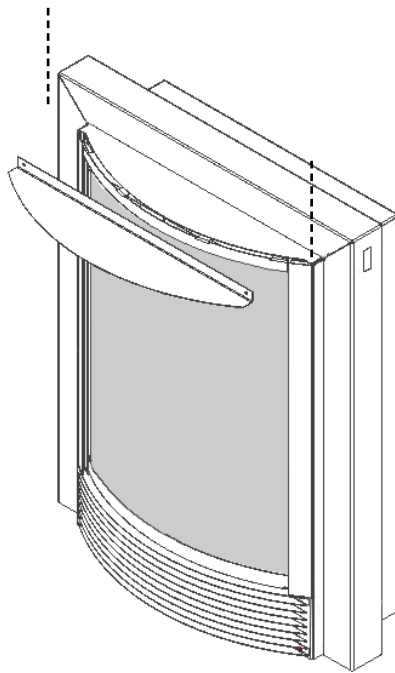
Sphera

---



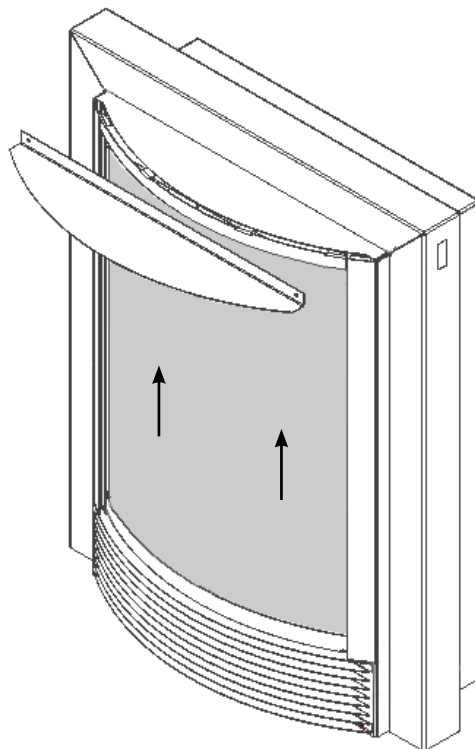
1

Unscrew the two screws, and remove the top plate.



2

With the top plate now removed, slide the glass upwards to remove.



## FUEL SETS

Once your appliance is installed and any front glass is removed you can lay out your fuel set as you wish. Then replace any glass panel by reversing the glass removal steps.



Logs



White or Beach Pebbles



Logs & Beach Pebbles



Kindling Set & Coconut Husk

---

# FITTING THE FASCIA

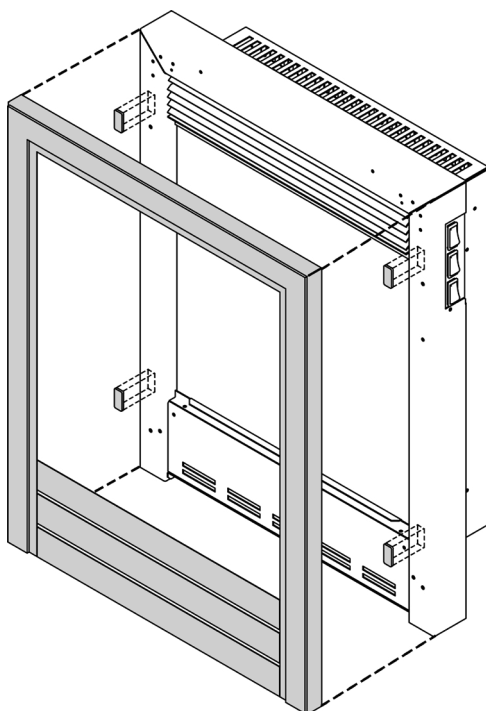
---

## FITTING THE FASCIA

### MAGNETS

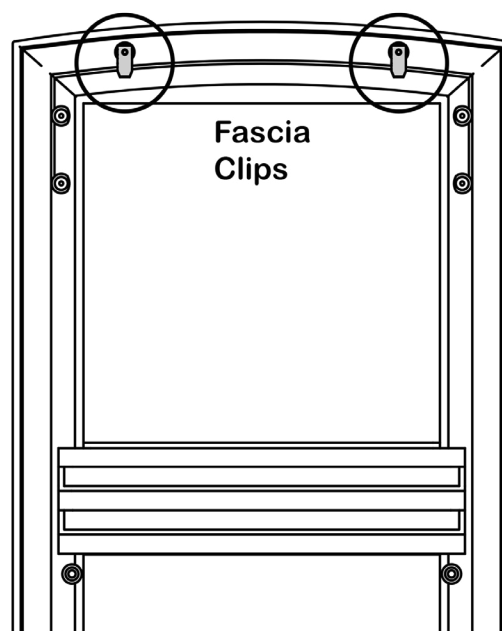
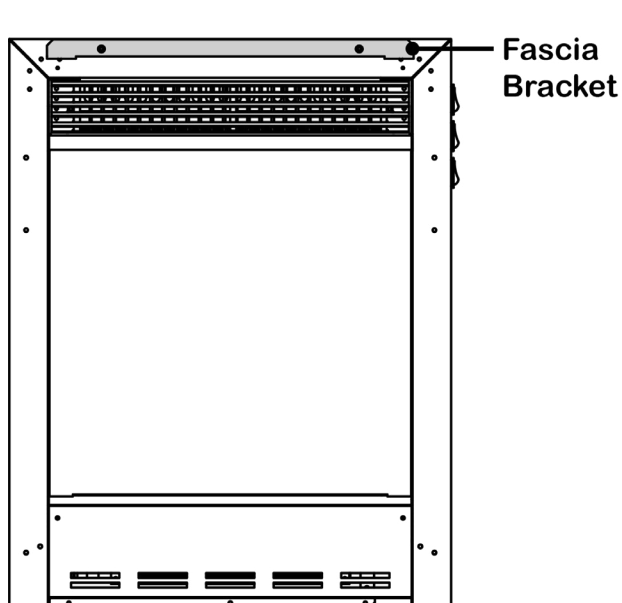
The following models have a fascia attached with magnets;

- Argenta 16
- Argenta 22
- Colorado
- Sphera
- Kepler 22
- Argenta C1
- Colorado C1
- Topaz
- C1
- C2
- C3

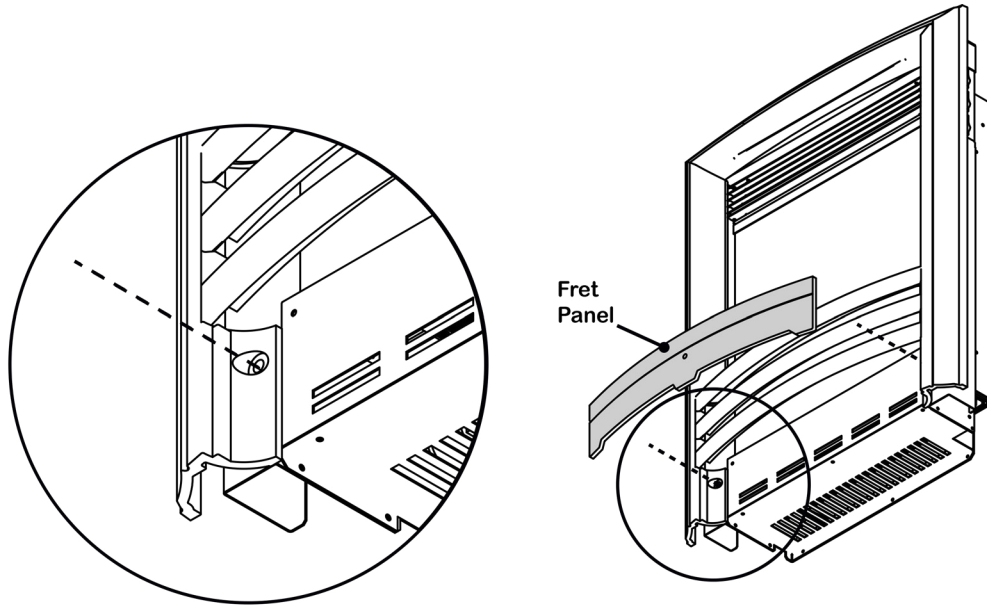


### SLOTTED

The Oberon, Strellar and Strellar C1 cast fascia is secured to the front of the appliance with two top mounted clips and a mounting bracket. Line up the two clips with the top of the mounting bracket and slot them down into the bracket.

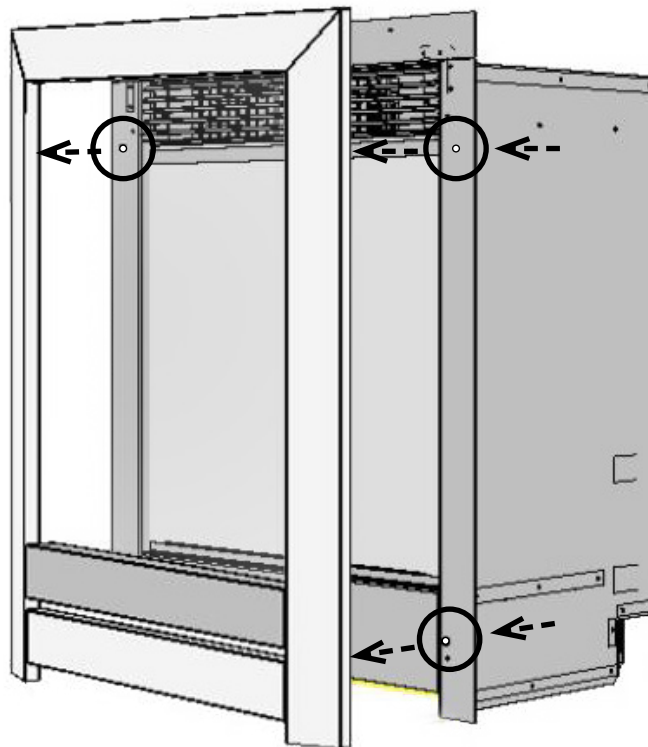


The cast frame can now be screwed to the appliance using the 2x screws supplied. The screw holes are located at the lower part of the frame. Once these are fitted, the fret panel can be fitted in front of this.



## SCREWED

The Brooklyn C1 fascia is attached using screws. There are 4 screw holes located in the outside plaster kit which line up with 4 holes in the rear of the Brooklyn fascia. Offer up the fascia, and secure in place by screwing the fascia to the fire.



## TROUBLESHOOTING



Applies to; Colorado / Kepler 22 / Oberon/ Stellar / Topaz / Argenta 16 / Argenta 22

Colorado Blower Access & Clean

Scan the QR code to be taken to a video in our maintenance series.

## REPORT A FAULT

If you have any difficulties or problems with your appliance then please get in touch so that we can assist you. Please scan the QR code to be taken to our website's Report a Fault page, we will then be in touch with you shortly.



## WARRANTY

### **Evonic Fires 5-year warranty – 1 year parts & labour + 4 years parts supplied.**

The above warranty terms and conditions, as of **1st May 2022**, are applicable for all relevant products purchased after this date. Appliances despatched prior to this date will have an alternative warranty as set out within the Installation and User Instructions that was supplied with the product, this was usually a standard 2-year warranty.

To receive your Extended Warranty your Evonic Fires product must have been purchased from an authorised stockist within our Retailer Network and your warranty registered with Evonic Fires through the online form - **[evonicfires.co.uk/register-your-product](https://evonicfires.co.uk/register-your-product)**. The commencement date for the warranty period is the date of purchase.

The product must be adequately serviced and maintained. Evonic Fires provide maintenance call outs at a cost, and information on this can be obtained by contacting our head office. Please see your Evonic Installation Instructions for further information on how to service and maintain your appliance.

During your extended warranty period, only parts supplied or authorised by Evonic Fires can be used to repair your fireplace, and these spare parts can be obtained by contacting our service department at **[service@evonicfires.co.uk](mailto:service@evonicfires.co.uk)** or calling **01789 263868**.

Consumable items such as glass, screens, LED's, LED boards, filters and power supplies which are either subject to normal wear and tear or parts that require replacement in connection with normal maintenance are not covered within the extended warranty. These items are covered for the first 12 months.

To make a warranty claim, evidence must be supplied to our service department in the form of pictures, videos, or both. Failure to supply evidence to support your warranty claim may invalidate or delay the claim. Any visit by an Evonic Fires engineer will incur a service charge after the first year. We will not accept or reimburse the cost(s) of any third party who undertakes any work carried out on the product or fits parts, unless we have approved such work in advance of it being carried out.

## WARRANTY EXCLUSIONS AND LIMITATIONS

### **The Evonic Extended Warranty does not cover:**

1. Damage resulting from installation and usage where the appliance has not been installed or used in accordance with the CK Fires Ltd installation and operation instructions, or if the installation does not conform to local building, fire, and safety regulations.
2. Issues with mains/spur connections of power supply.
3. Damage resulting from the product not being adequately maintained. (Please see your CK Fires Ltd Installation and Operating Instructions for further information on how to service and maintain your appliance).
4. Damage caused by unauthorised modifications, use or repair.
5. Damage or defects caused by the product being stored in a damp, unheated environment.
6. Consequential loss (to the extent permitted by the law) relating to other associated products that have not been supplied by CK Fires Ltd.
7. Consequential loss (to the extent permitted by law) related to decorations, furnishings, or other household assets.
8. Removal and re-installation costs.

## **WARRANTY EXCLUSIONS AND LIMITATIONS**

Repaired or replaced products are covered only for the remainder of the original warranty period. In the event of a claim being made, this must be reported to your retailer or CK Fires Ltd within 14 days of the fault occurring/being noticed. In the event of a product fault occurring during the warranty period years 2-5, CK Fires Ltd will send the appropriate component or goods necessary to rectify the fault, free of charge.

Nothing in the Extended Warranty shall make CK Fires Ltd liable for any or special, incidental, or consequential damages, injury to persons or property, or any other consequential loss beyond the consumer's statutory rights. The liability on these issues is covered by our Terms and Conditions of Sale.

CK Fires Ltd total liability extends only to the purchase price paid for the goods, except where such a limitation is prohibited by statute. CK Fires Ltd, in the event of a warranty claim, reserves the right either to replace the goods in question or to refund the purchase price of the goods. For product sold outside the UK and Ireland, UK law will prevail. The Evonic Fires Extended Warranty does not affect your statutory rights.

### **CK Fires Ltd / Evonic Fires**

**1, Evonic House, Clifford Park, Clifford Lane,  
Stratford-on-Avon, CV37 8HW**

**Tel: +44 (0)1789 263868 Fax: +44 (0)1789 293080  
Email: [sales@evonicfires.co.uk](mailto:sales@evonicfires.co.uk)  
[www.evonicfires.co.uk](http://www.evonicfires.co.uk)**

**Follow us on:  
Instagram | Facebook | Twitter | LinkedIn  
[@evonicfires](#)**