

# SUITES & STOVES

## E-Touch & E-Smart

### INSTRUCTION MANUAL

Compton 2  
Compton 1000  
Empire 2  
Gilmour 6  
Gilmour 7  
Gilmour 10  
Halden  
Banff  
Bergen

Halmstad  
Midori  
Tuva  
Canto 200  
Locanda 175  
Espire 150  
Rivera 200  
Rivera 175  
Rivera 150

Rivera 125  
Murano  
Mirada  
Imperium  
Crenshaw  
Inglewood  
Ellipse  
C600

# CONTENTS

EU Directives and UKCA Standards..... 3

Important Information and Health & Safety..... 4

Components for Suites and Stoves..... 5

Installation..... 6

    Model Dimensions..... 7

    Installation (Wall Mounted Suites)..... 8

    Installation (Suites with Risers and Stoves)..... 11

    Installation (Floor-based)..... 13

    Installation (Cassette style)..... 15

Log Layouts..... 19

Front & Side Glass Installation..... 22

Troubleshooting, Warranty & Registration..... 27

The following materials and components should be disposed of in accordance with the below table.

Metal - Steel or cast iron	Can be taken to a local recycling centre for reuse to reduce waste going to landfill
Glass & Screens	Can be taken to a local recycling centre for reuse to reduce waste going to landfill.
Vermiculite	Non hazardous material. Vermiculite can be crushed up and used for plant bedding and ash used for composting or disposed of at a local recycling centre for reuse to reduce waste going to landfill.
Electrical components - Fans, heater elements, PCB's, Power pack's, LED's	Dispose at a local recycling centre In accordance with latest WEEE directive.
Log fuel effects	These logs contain refractory ceramic fibre materials which requires disposal in accordance with WEEE legislation.
Natural Wood	Can be taken to a local recycling centre for reuse to reduce waste going to landfill

## EU DIRECTIVES

All Evonic Fires products meet the requirements of the EC Directives.  
These directives have been met by compliance with the following standards:

EU 2011-65/EU 2015/863 Restriction of Hazardous Substances.

References to the relevant designated standards used:

EN 55014-1:2006 + A1:2009 + A2:2011 Electromagnetic Compatibility.

EN 55014-2:2015 Electromagnetic Compatibility.

EN 61000-3-2:2014 Electromagnetic Compatibility (EMC). Limits. Limits for  
Harmonic Current Emissions.

EN 61000-3-3:2013 Electromagnetic Compatibility (EMC). Limits. Limitation of  
Voltage Changes, Voltage Fluctuations and Flicker.

EN 60335-1:2012 + A11:2014 Household and similar electrical appliances - Safety

EN 60335-2-30:2009+A11:2012 Household and similar electrical appliances. Safety.  
Particular requirements for room heaters

## UKCA STANDARDS

All Evonic Fires products are in conformity with the relevant UK Statutory Instruments  
(and their amendments).

2016 No. 1101 The Electrical Equipment (Safety) Regulations 2016

2016 No. 1091 The Electromagnetic Compatibility Regulations 2016

2012 No. 3032 The Restriction Of Use Of Certain Hazardous Substances In  
Electrical And Electronic Equipment Regulations 2012



## IMPORTANT INFORMATION AND HEALTH & SAFETY

When using electrical appliances, basic precautions should always be followed to reduce the risk of fire, electric shock, and injury to persons, including the following:

- Read all of the instructions carefully before using the appliance, only use this appliance as described in this manual. Any other use not recommended by the manufacturer may cause injury to persons, or damage to the appliance.
- Remove all packaging and dispose of it at an appropriate recycling facility.
- When transporting or storing the appliance and power lead, keep in a dry place, away from excessive vibration and store so as to avoid damage.
- This fireplace is hot when in use. To avoid burns, do not let bare skin touch hot surfaces. The trim around the heater outlet becomes hot during heater operation.  
**DANGER:** High temperatures may be generated under certain abnormal conditions.
- Do not install this appliance immediately in front of a fixed socket outlet.
- Do not install this appliance in the immediate surroundings of a bath, shower, swimming pool or any other area where the appliance could come into contact with water or humidity, e.g. a bathroom.
- Do not use in areas where gasoline, paint, or any flammable liquids are used or stored.
- This appliance is only suitable for indoor use, do not use outdoors.
- Do not cover the appliance, or let the air inlet/outlet to be obstructed in any way as it may overheat.
- Keep the power lead away from hot surfaces and the heater outlet. Do not route the power lead in front of the appliance, or under any carpets or rugs. Do not allow the power lead to be coiled up once installed, as this can cause overheating.
- This appliance must be firmly fixed to a flat internal wall.
- A maintenance hatch must be installed into the surrounding installation to allow future access.
- Always use a certified electrician should new circuits or outlets be required. And always use properly grounded, fused and polarised outlets.
- Where the power lead passes through any masonry wall, stone surround etc. ensure that suitable rubber bushes are fitted at any possible wear points.
- If the power lead is damaged do not use the appliance until it has been replaced.
- Do not use any external switching device, timers, or extension leads. Do not connect the appliance to a circuit that is frequently switched on and off by the utility.
- In the event of a malfunction, switch off the appliance, and disconnect it from the mains power supply. Have the appliance inspected by a certified electrician before reusing.
- Do not use the appliance if it is damaged. In the event of any damage to the appliance, please contact the retailer from whom the appliance was purchased.
- Any repairs must only be performed by a certified electrician.
- Extreme caution is necessary when any heater is used by, located near children or people of reduced mobility, and whenever the unit is left operating and unattended.
- Young children should be supervised to ensure that they do not play with the appliance.
- Disconnect from the power supply before performing any cleaning, maintenance or relocation of the unit. Do not use steam cleaners, or aerosols near the appliance.
- Do not burn wood or anything else in this appliance.
- Do not strike the glass. The glass used is toughened safety glass, if broken it will shatter into small chunks which are less likely to cause injury.
- Do not drill or screw any new holes into the appliance.

---

# INSTALLATION

---

## MODEL DIMENSIONS

Model	Width	Height			Depth
		Overall unit (A)	Overall unit (B)	With Riser / Bench (C)	
Banff	460mm	670mm		310mm	355mm
Bergen	1475mm	615mm		355mm	357mm
Compton 2	1120mm	514mm		274mm	310mm
Compton 1000	1500mm	511mm		261mm	355mm
Empire 2	1120mm	512mm		272mm	270mm
Gilmour 6	1120mm	712mm	992mm	455mm	276mm
Gilmour 7	1120mm	538mm	818mm	285mm	276mm
Gilmour 10	1475mm	531mm	811mm	277mm	276mm
Halden	488mm	1015mm		495mm	416mm
Halmstad	863mm	832mm		460mm	331mm
Midori	527mm	625mm		455mm	280mm
Tuva	493mm	1014mm		540mm	342mm
Canto 200	1982mm	529mm		356mm	275mm
Locanda 175	1726mm	529mm		355mm	275mm
Espire 150	1473mm	529mm		278mm	275mm
Rivera 200	2006mm	641mm		356mm	235mm
Rivera 175	1752mm	641mm		355mm	235mm
Rivera 150	1500mm	641mm		278mm	235mm
Rivera 125	1245mm	1010mm		752mm	260mm
Murano	1346mm	1150mm		682mm	381mm
Mirada	1460mm	815mm		355mm	280mm
Imperium	1120mm	512mm		272mm	270mm
Crenshaw	1500mm	511mm		261mm	355mm
Inglewood	1120mm	514mm		274mm	310mm
Ellipse	1473mm	529mm		278mm	300mm

# INSTALLATION

## Wall Mounted Suites

Compton 2  
Compton 1000  
Empire 2  
Gilmour 6  
Gilmour 7  
Gilmour 10

Bergen  
Midori  
Canto 200  
Locanda 175  
Espire 150  
Rivera 200

Rivera 175  
Rivera 150  
Imperium  
Crenshaw  
Inglewood  
Ellipse

# INSTALLATION

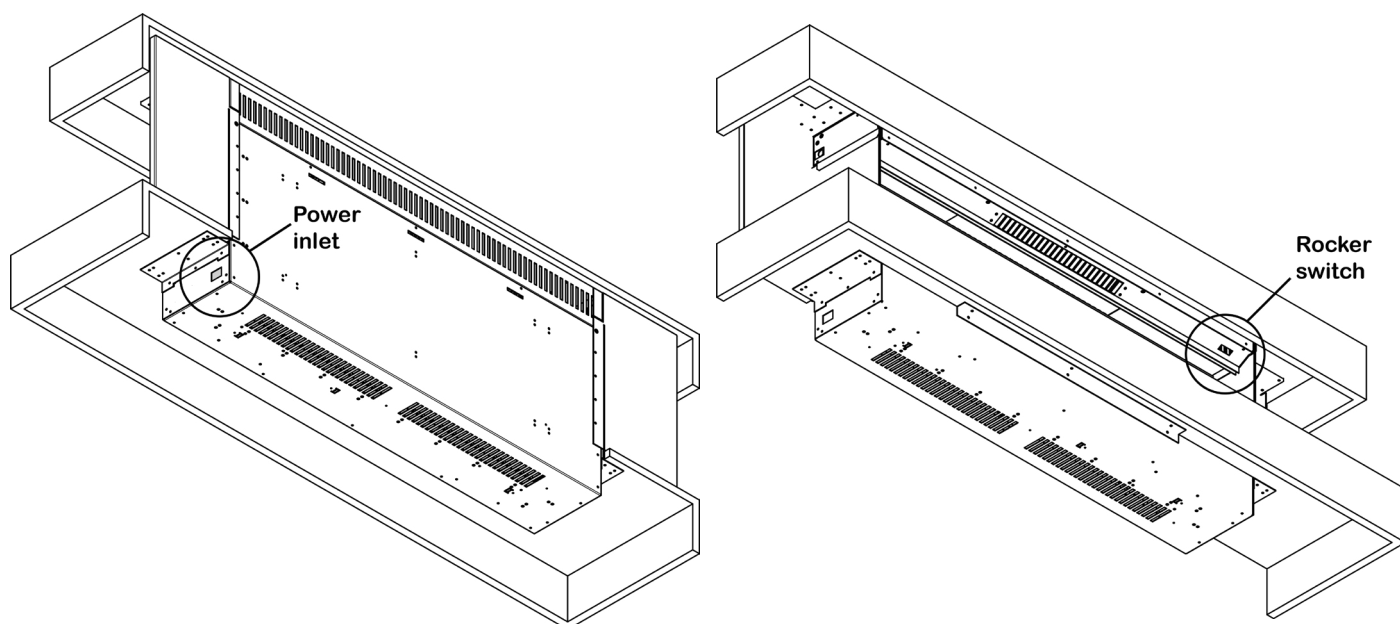
## INSTALLATION REQUIREMENTS

Before installing the appliance please read and take into account the following important requirements;

- The appliance must never be installed in front of an electrical socket.
- The appliance must not be installed anywhere that it may come into contact with water, i.e. a bathroom.
- The minimum height above the finished floor level is 300mm.

## CHECKS BEFORE INSTALLATION

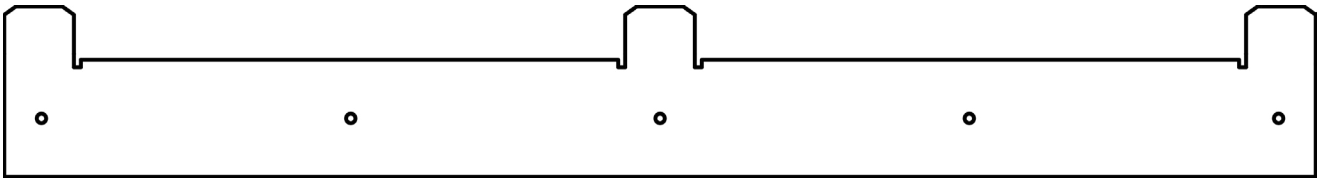
We recommend turning on the appliance before installation, connect the appliance to a power source using the provided electrical lead, and depress the right side of the rocker switch.





## TOOLS REQUIRED

- Tape Measure
- Pencil
- Spirit Level
- Screwdriver
- PZ2 Screw Bit
- Drill Bit
- Wall Plugs (Masonry type supplied)
- Wall Screws (Masonry type supplied)
- Stud Detector (For plasterboard installations only)
- Wall Anchors (For plasterboard installations only. Not supplied)

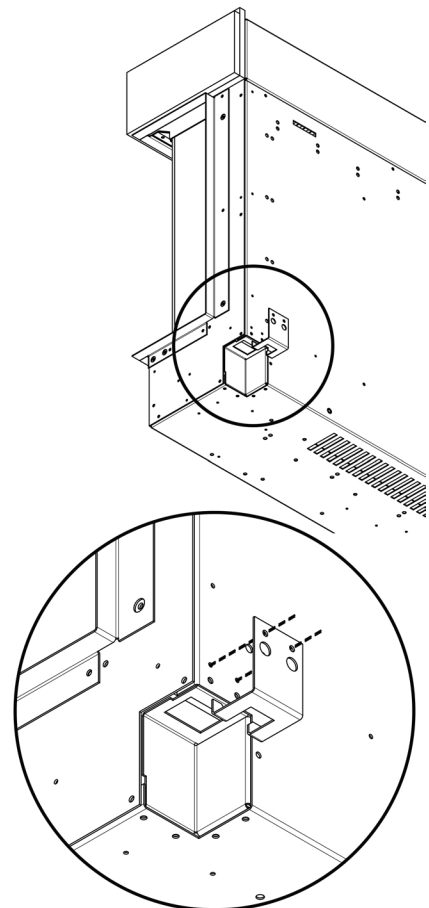
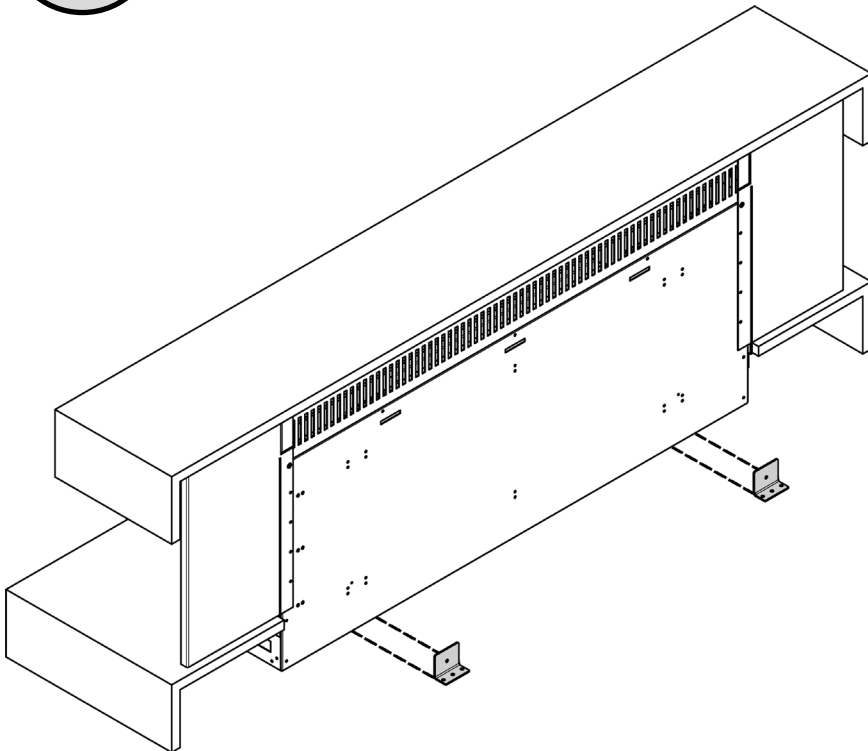


The appliance is supplied with a wall bracket, shown above.

## INSTALLATION STEPS

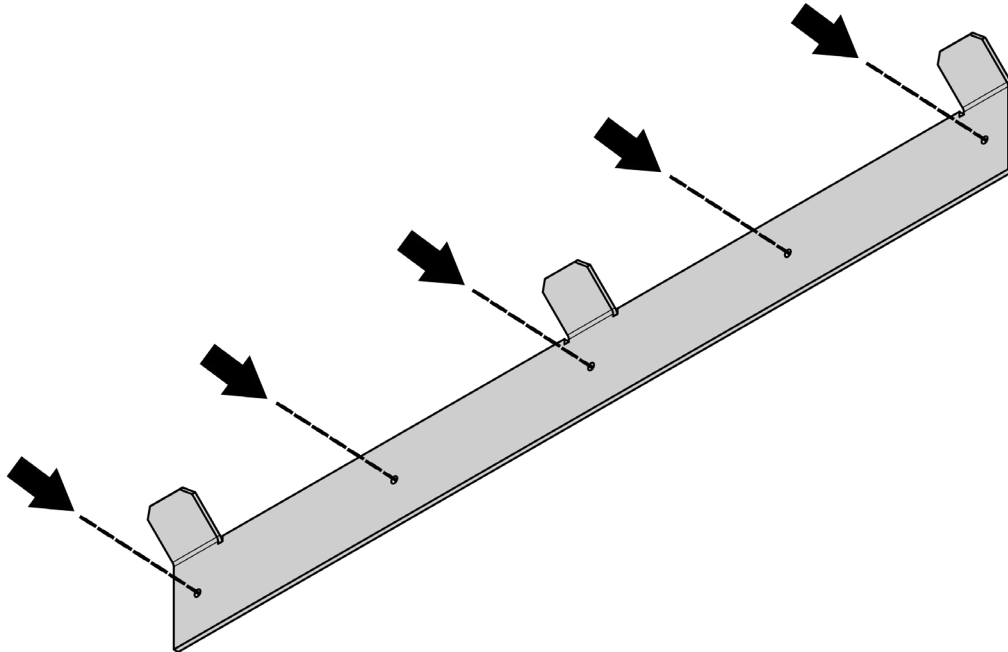
1

Remove the two bottom mounted transit brackets, you won't need these for installation. Then screw on the IEC Clip to the bottom back of the case, with the two provided screws.



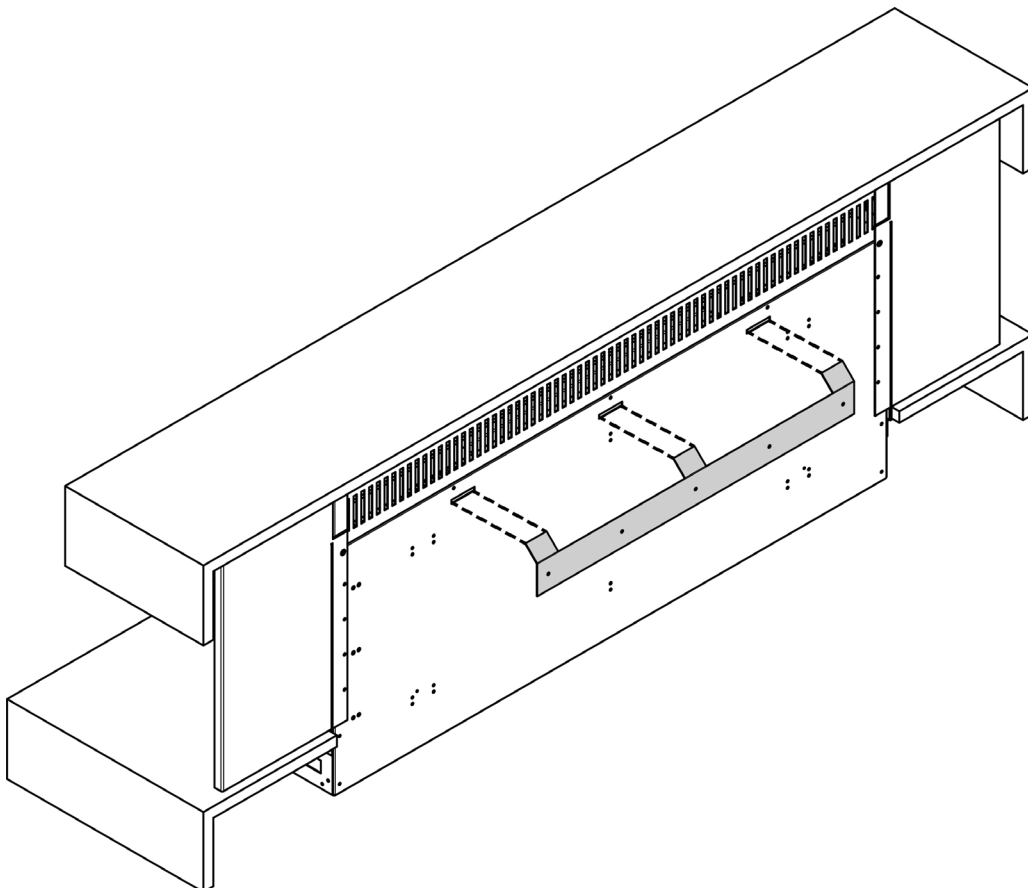
2

Determine the finished height and position that you want the appliance to be located. Then secure the wall bracket to the wall in the position you need using the wall plugs and screws provided. If you're not securing the appliance to a masonry wall you will need to use the appropriate fixings.



3

You can now hang the appliance on the wall by slotting the tabs of the wall bracket into the slots on the back of the appliance. Connect the appliance to the mains power supply and it is ready to use.



# INSTALLATION

## Suites with Risers & Stoves

Banff Gilmour 6 Gilmour 7 Gilmour 10 Halden	Halmstad Tuva	
---	------------------	--

# INSTALLATION

## INSTALLATION REQUIREMENTS

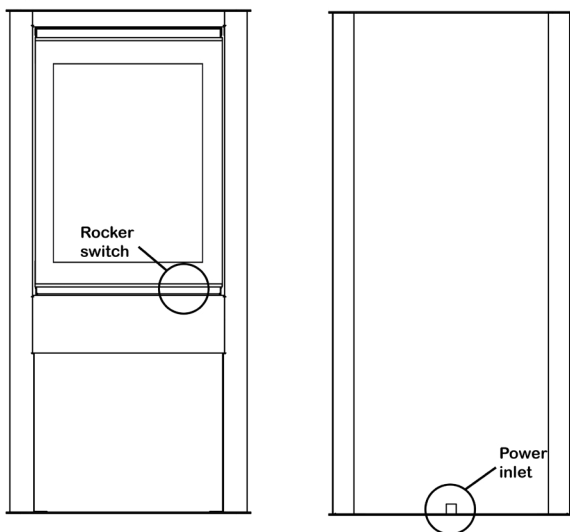
Before positioning the appliance please read and take into account the following important requirements;

- The appliance must not be located anywhere that it may come into contact with water, i.e. a bathroom.
- This appliance is only suitable for indoor use, do not use outdoors.
- Keep the power lead away from hot surfaces and hot conditions, including the heater outlet.
- Do not route the power lead under any carpets or rugs.

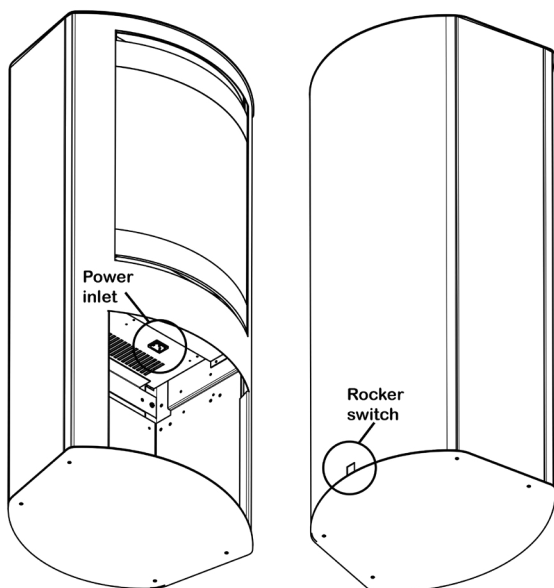
Once you have taken the above requirements into consideration you can plug in your appliance, and switch on the rocker switch.

For most models the power inlet is located at the back right, and the rocker switch is located at the front top right. Some models differ, and are shown below;

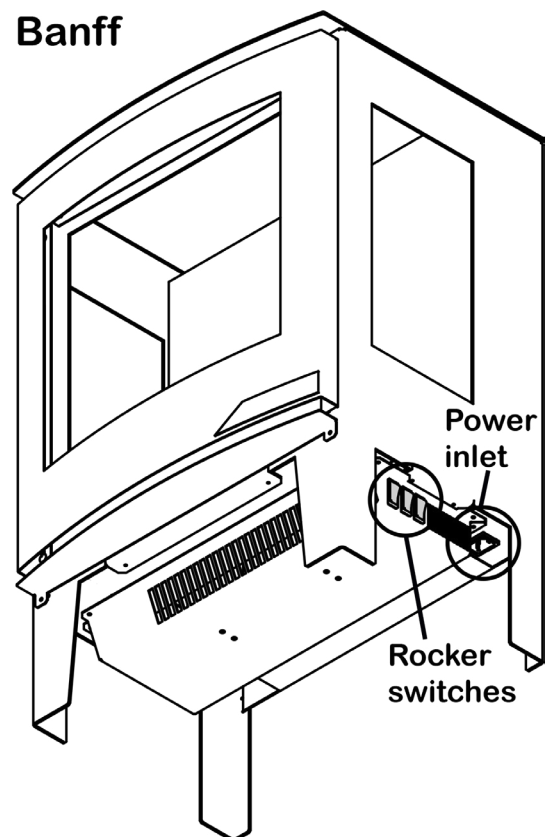
Tuva



Halden



Banff



# INSTALLATION

## Floor-based

Banff  
Halden  
Halmstad  
Tuva  
Rivera 125

Murano  
Mirada

## INSTALLATION REQUIREMENTS

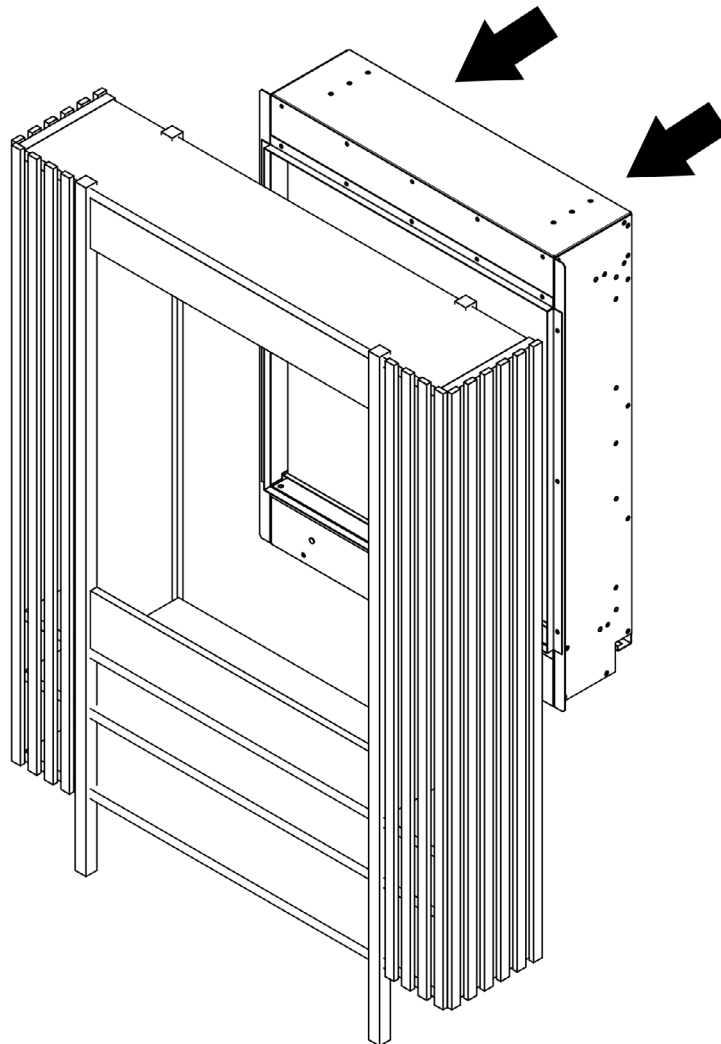
Before positioning the appliance please read and take into account the following important requirements;

- The appliance must not be located anywhere that it may come into contact with water, i.e. a bathroom.
- This appliance is only suitable for indoor use, do not use outdoors.
- Keep the power lead away from hot surfaces and hot conditions, including the heater outlet.
- Do not route the power lead under any carpets or rugs.

Once you have taken the above requirements into consideration you can plug in your appliance, and switch on the rocker switch.

## INSTALLATION

The woodwork for the floor based models will screw directly to the appliance as shown below, in four locations x2 fixing points at the top and x2 fixing points at the bottom.



---

# INSTALLATION

## Cassette style

---

C600

---

# INSTALLATION

## TOOLS REQUIRED

- Tape Measure
- Pencil
- Spirit Level
- Screwdriver
- PZ2 Screw Bit
- Screws (Supplied)

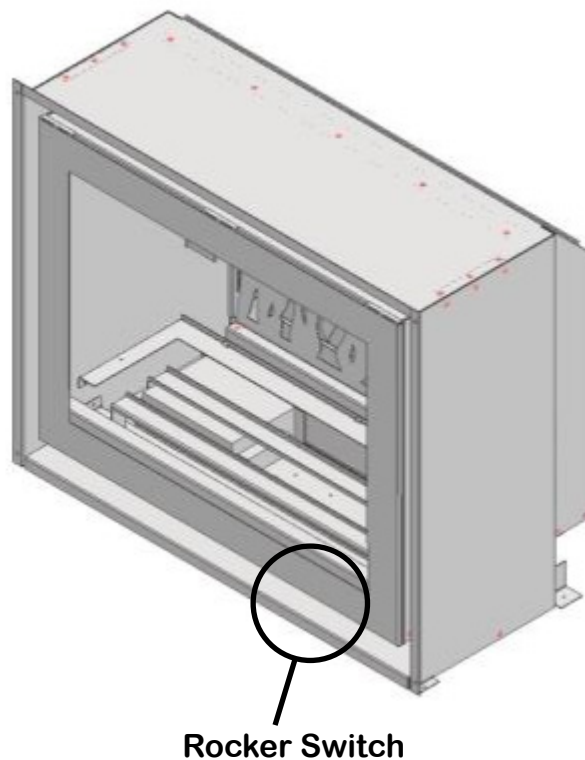
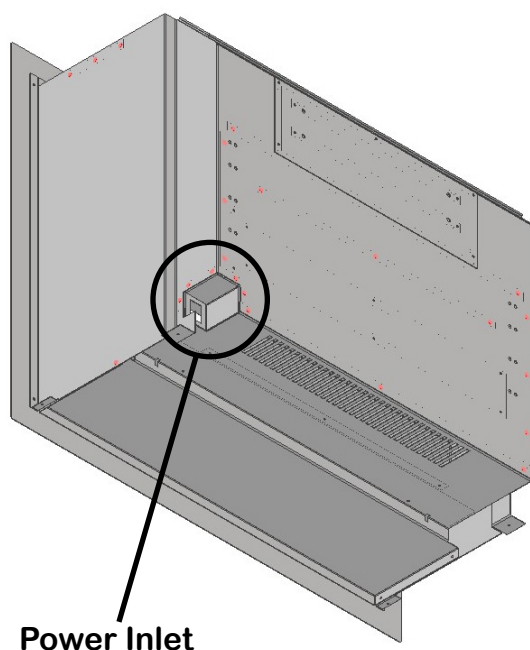
## INSTALLATION REQUIREMENTS

Before installing the appliance please read and take into account the following important requirements;

- Consult a qualified professional to check the structure of the installation site.
- This appliance has been designed to be installed into either a stud and plasterboard wall, or an existing chimney breast.
- If installing into an existing chimney, make sure to adequately block off the flue.
- The appliance must never be installed immediately in front of an electrical socket.
- The appliance must not be installed anywhere that it may come into contact with water, i.e. a bathroom.

## CHECKS BEFORE INSTALLATION

We recommend turning on the appliance before installation, connect the appliance to a power source using the provided electrical lead, and press the right side of the rocker switch.

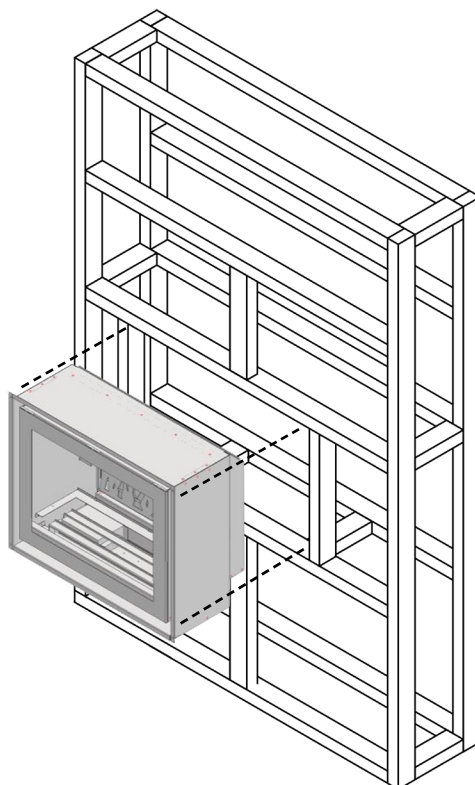




## INSTALLATION STEPS

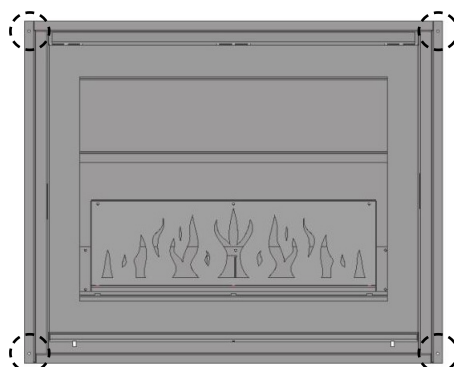
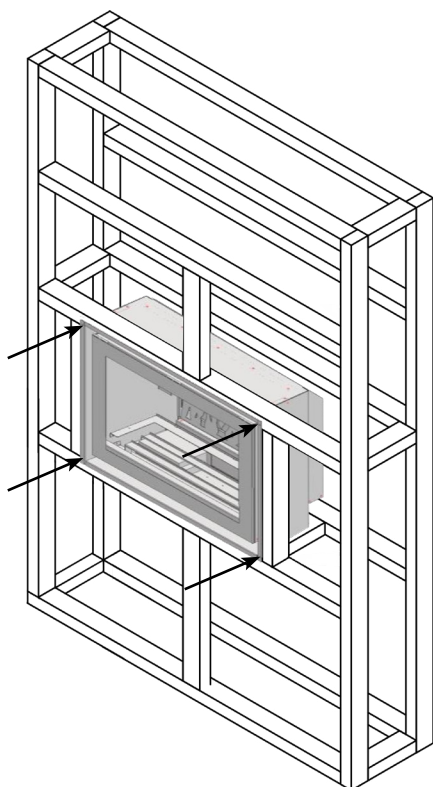
1

Once your studwork frame has been constructed, slide the appliance into the prepared void.



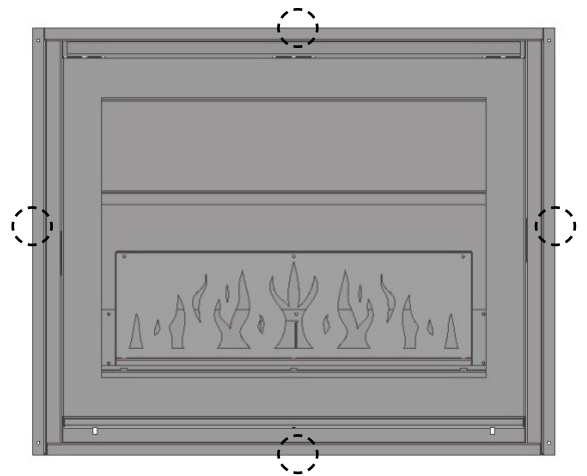
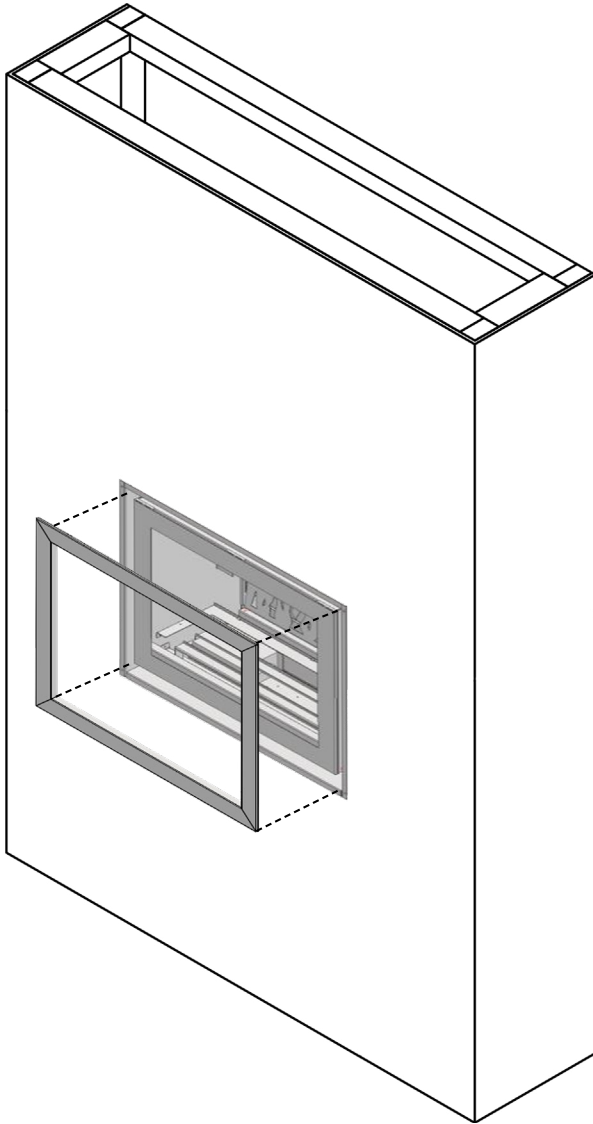
2

Once you have slid the appliance into place, you can then go about securing it in position by screwing it into the studwork frame. There are 4 holes located in each corner .



3

Once you have secured the fire into place, adding the outer frame is the final stage. The outer frame of the C600 comes with either a 3-sided or 4-sided frame, which are both attached using the same method. The frame uses a combination of magnets and a push fit method. The frame will slide perfectly into the front of the stove.



Above you will see suggested positioning for the magnets, although they can be positioned anywhere along the plaster kit to provide extra support.

---

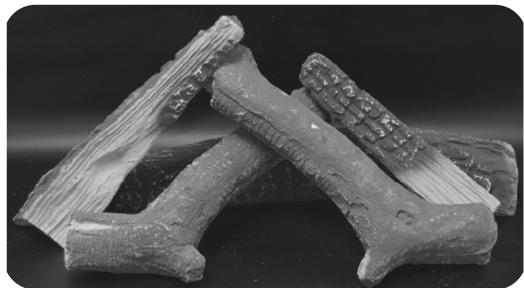
# LOG LAYOUTS

## Suites & Stoves

---

## LOG LAYOUTS

When you have your appliance installed you can set up your log set/s. If your model comes with Chippings, Glass Stones and/or Vermiculite lay this on the fuel bed first, then continue with laying out your logs. There is no right or wrong way to arrange your logs, the following images are an example of how you could lay them out.



1 x Small Woodland / Silver Birch / Banff / Compton 2 / Empire 2 / Midori



1 x Tuva Log Set  
Halden / Tuva / Halmstad



1 x Small Legacy Log Set / Gilmour 6 / Gilmour 7



1 x Large Legacy Log Set / Gilmour 10



C600 British Woodland Log Set



Locanda 150 / Espire 150 / Crenshaw / Ellipse



1 x Large Woodland / Silver Birch  
Bergen / Compton 1000



Inglewood / Imperium / Rivera 125 / Murano



Locanda 175 / Rivera 175 / Mirada



Canto 200 / Rivera 200

# FRONT AND SIDE GLASS INSTALLATION

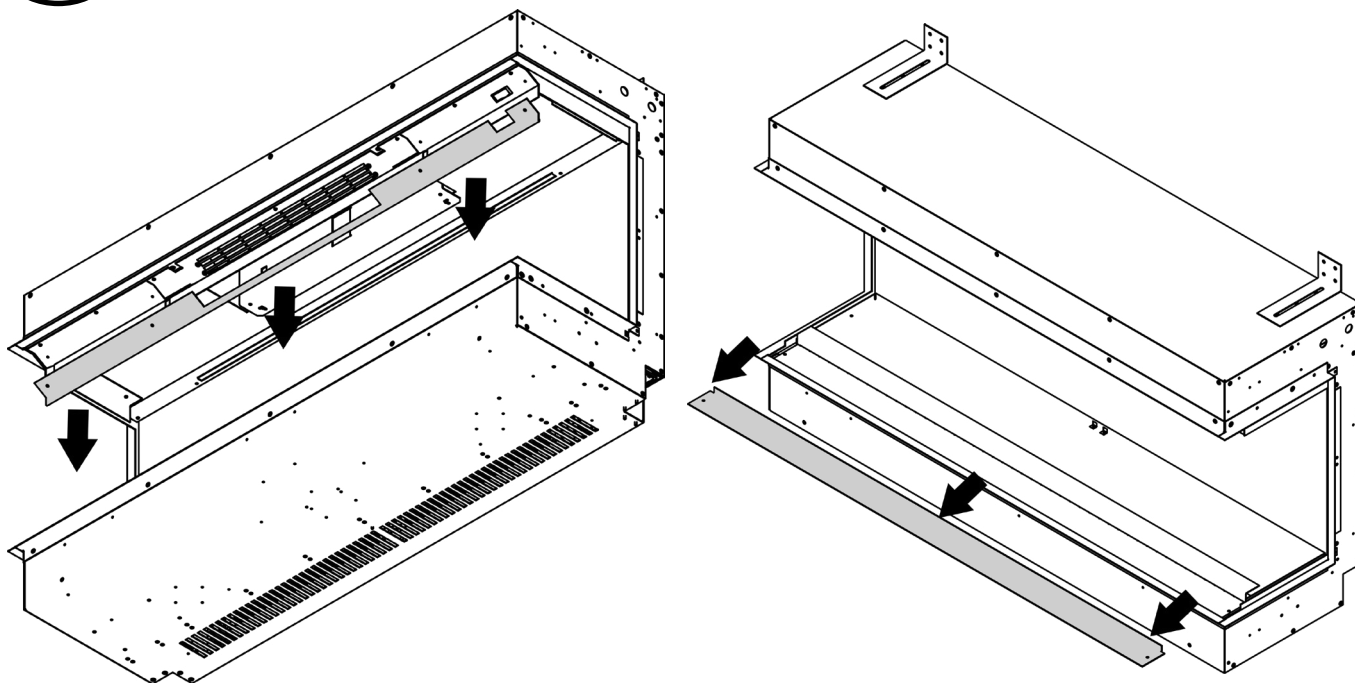
Pivot Install	Slotted Install	Slide Install
Bergen Midori Canto 200 Locanda 175 Espire 150 Rivera 200 Rivera 175 Rivera 150 Rivera 125 Murano Mirada Imperium Crenshaw Inglewood Ellipse	Banff Halmstad Tuva C600	Halden

## PIVOT INSTALL

The pivot install of the front glass applies to the Bergen, Midori, Canto 200, Locanda 175, Espire 150, Murano, Mirada, Imperium, Crenshaw, Inglewood, Ellipse and all Rivera's. The model shown in this example is an E1030, but the same process applies to all fifteen models.

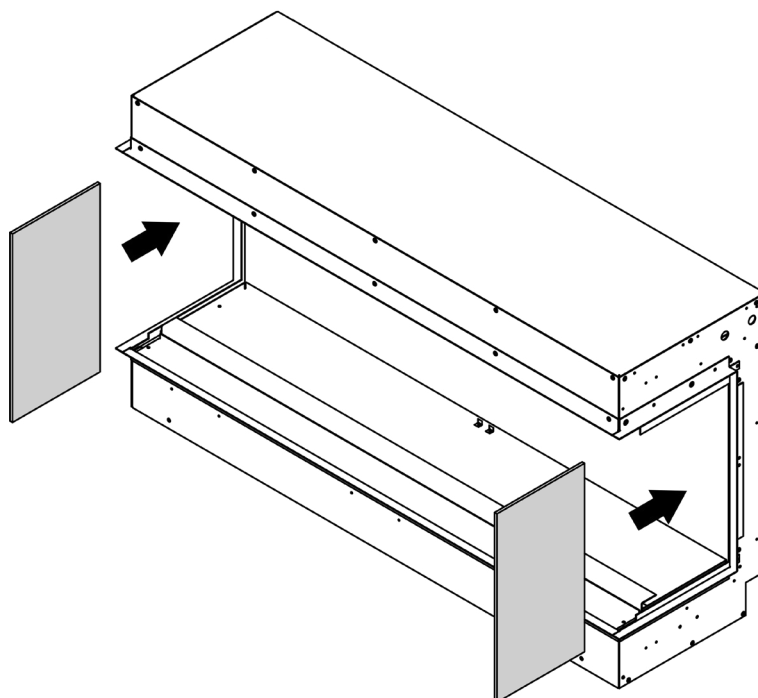
1

Unscrew and remove the top and bottom glass retainer panels.



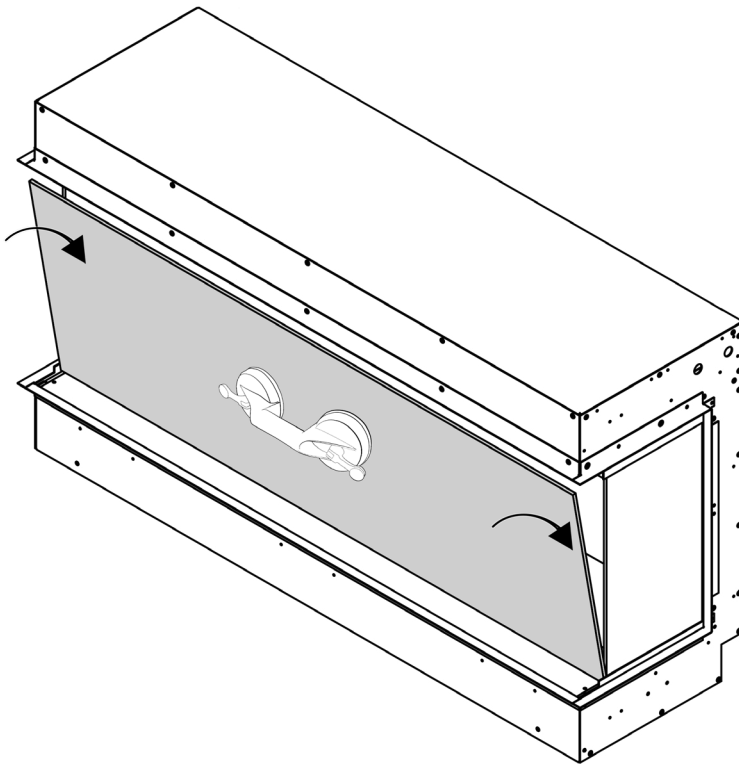
2

The side glass can now be slid into the appliance. If you have a Kibo model you can skip this step and move on to step 3.



3

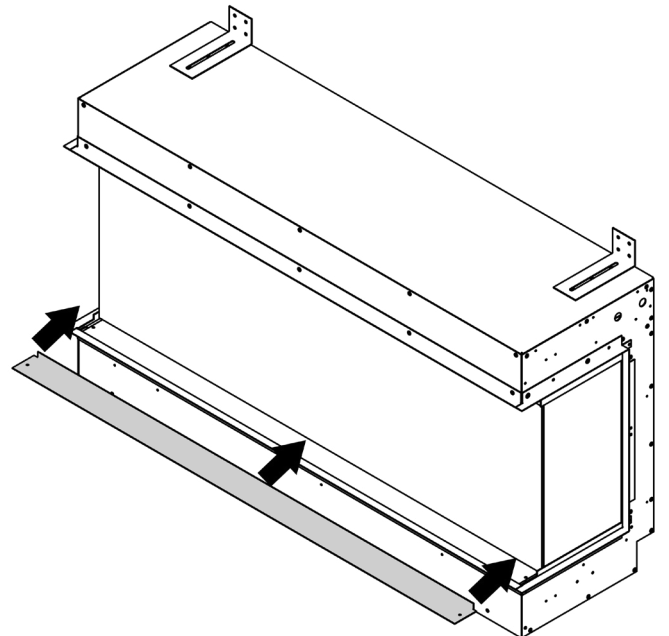
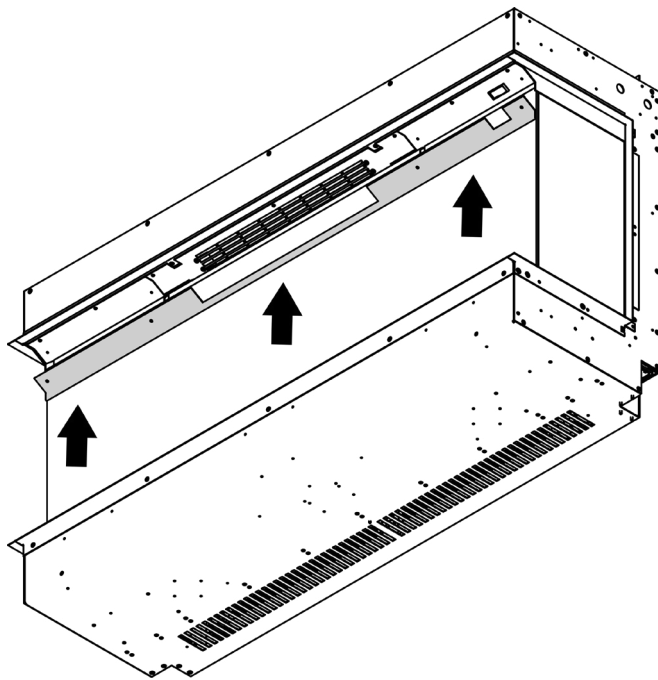
Apply the Suction Lifter to the glass and apply the glass to the bottom edge first, then pivot into the appliance.



**Warning**  
The Suction Lifter is provided to assist in moving the glass **NEVER** as the sole support of the glass. Always support the glass throughout the entire process until the glass is fully fitted. The glass is toughened safety glass and if broken will shatter into many small chunks.

4

The top and bottom glass retainers can now be replaced on the appliance.



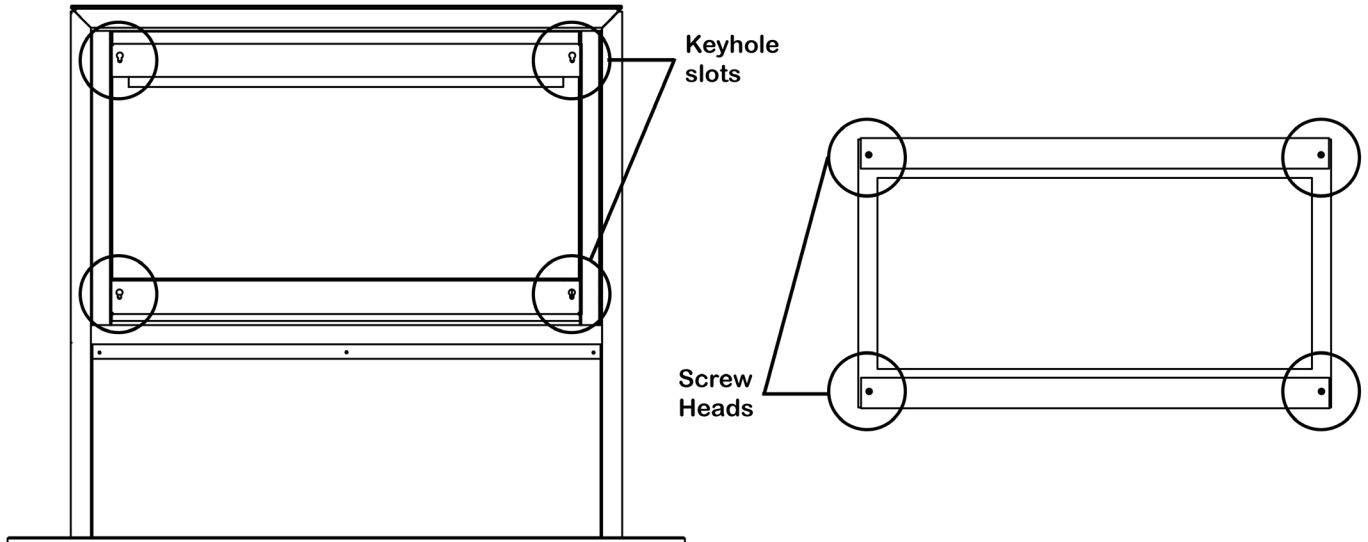


## SLOTTED INSTALL

The slotted install of the front glass applies to the Banff, Halmstad, and Tuva. The model shown in this example is the Halmstad, but the same process applies to all three models.

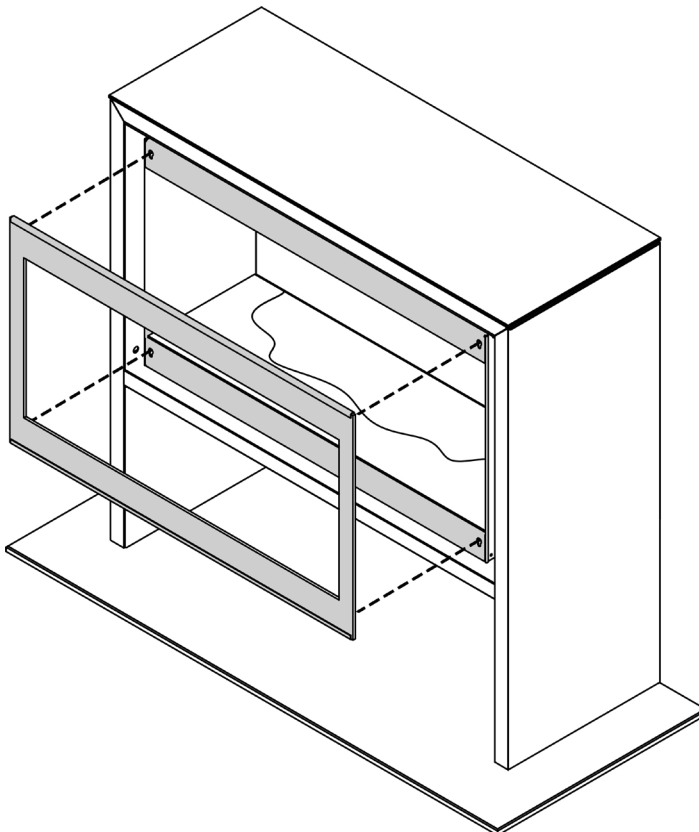
1

To install the front glass first locate the four keyhole slots on the front of the appliance, and the four screws on the back of the front glass.



2

Now line up the screws and screw holes and slot them into each other, then allow the glass to drop into place.



### Warning

Always support the glass throughout the entire process until the glass is fully fitted. The glass is toughened safety glass and if broken will shatter into many small chunks.

## SLIDE INSTALL

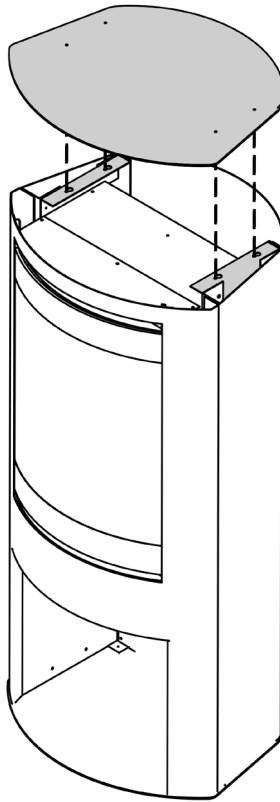
The sliding install of the front glass applies only to the Halden model.

1

To remove the glass from the Halden model, first slide the lid back slightly, then lift.

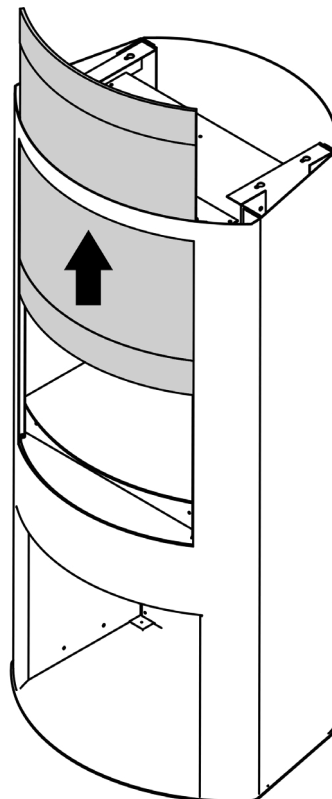
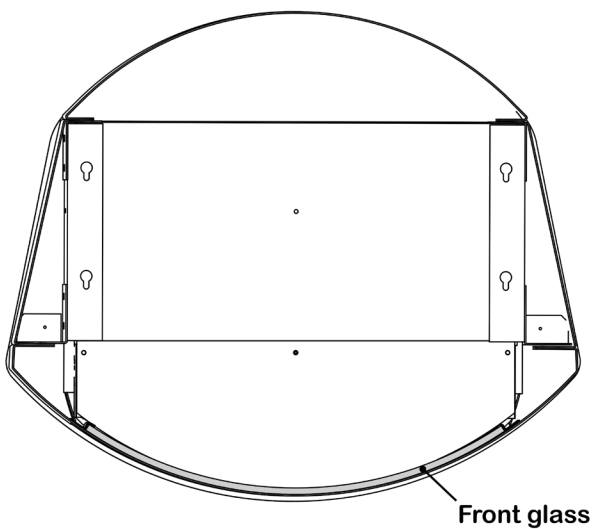
### Warning

Always support the glass throughout the entire process until the glass is fully fitted. The glass is toughened safety glass and if broken will shatter into many small chunks.



2

Now you can slide the glass vertically out of the appliance.



---

# TROUBLESHOOTING WARRANTY & REGISTRATION

---

### Evoflame Only - LED Strip Replacement



Scan the QR code to be taken to a video in our maintenance series.

Please note; this video shows an old method of removing the front glass panel. Refer to page 19 of this instruction manual for the new method.

### Fan Re-setting & Replacement



Scan the QR code to be taken to a video in our maintenance series.

Please note; this video shows an old method of removing the front glass panel. Refer to page 19 of this instruction manual for the new method.

### Heater Access & Replacement



Scan the QR code to be taken to a video in our maintenance series.

Please note; this video shows an old method of removing the front glass panel. Refer to page 19 of this instruction manual for the new method.

### E-Smart Only - E-Smart LED Replacement



Scan the QR code to be taken to a video in our maintenance series.

Please note; this video shows an old method of removing the front glass panel. Refer to page 19 of this instruction manual for the new method.

## REPORT A FAULT

If you have any difficulties or problems with your appliance then please get in touch so that we can assist you. Please scan the QR code to be taken to our websites Report a Fault page, we will then be in touch with you shortly.



## WARRANTY

### **Evonic Fires 5-year warranty – 1 year parts & labour + 4 years parts supplied.**

The above warranty terms and conditions, as of **1st May 2022**, are applicable for all relevant products purchased after this date. Appliances despatched prior to this date will have an alternative warranty as set out within the Installation and User Instructions that was supplied with the product, this was usually a standard 2-year warranty.

To receive your Extended Warranty your Evonic Fires product must have been purchased from an authorised stockist within our Retailer Network and your warranty registered with Evonic Fires through the online form - **[evonicfires.co.uk/register-your-product](https://evonicfires.co.uk/register-your-product)**. The commencement date for the warranty period is the date of purchase.

The product must be adequately serviced and maintained. Evonic Fires provide maintenance call outs at a cost, and information on this can be obtained by contacting our head office. Please see your Evonic Installation Instructions for further information on how to service and maintain your appliance.

During your extended warranty period, only parts supplied or authorised by Evonic Fires can be used to repair your fireplace, and these spare parts can be obtained by contacting our service department at **[service@evonicfires.co.uk](mailto:service@evonicfires.co.uk)** or calling **01789 263868**.

Consumable items such as glass, screens, LED's, LED boards, filters and power supplies which are either subject to normal wear and tear or parts that require replacement in connection with normal maintenance are not covered within the extended warranty. These items are covered for the first 12 months.

To make a warranty claim, evidence must be supplied to our service department in the form of pictures, videos, or both. Failure to supply evidence to support your warranty claim may invalidate or delay the claim. Any visit by an Evonic Fires engineer will incur a service charge after the first year. We will not accept or reimburse the cost(s) of any third party who undertakes any work carried out on the product or fits parts, unless we have approved such work in advance of it being carried out.

## WARRANTY EXCLUSIONS AND LIMITATIONS

### **The Evonic Extended Warranty does not cover:**

1. Damage resulting from installation and usage where the appliance has not been installed or used in accordance with the CK Fires Ltd installation and operation instructions, or if the installation does not conform to local building, fire, and safety regulations.
2. Issues with mains/spur connections of power supply.
3. Damage resulting from the product not being adequately maintained. (Please see your CK Fires Ltd Installation and Operating Instructions for further information on how to service and maintain your appliance).
4. Damage caused by unauthorised modifications, use or repair.
5. Damage or defects caused by the product being stored in a damp, unheated environment.
6. Consequential loss (to the extent permitted by the law) relating to other associated products that have not been supplied by CK Fires Ltd.
7. Consequential loss (to the extent permitted by law) related to decorations, furnishings, or other household assets.
8. Removal and re-installation costs.

## **WARRANTY EXCLUSIONS AND LIMITATIONS**

Repaired or replaced products are covered only for the remainder of the original warranty period. In the event of a claim being made, this must be reported to your retailer or CK Fires Ltd within 14 days of the fault occurring/being noticed. In the event of a product fault occurring during the warranty period years 2-5, CK Fires Ltd will send the appropriate component or goods necessary to rectify the fault, free of charge.

Nothing in the Extended Warranty shall make CK Fires Ltd liable for any or special, incidental, or consequential damages, injury to persons or property, or any other consequential loss beyond the consumer's statutory rights. The liability on these issues is covered by our Terms and Conditions of Sale.

CK Fires Ltd total liability extends only to the purchase price paid for the goods, except where such a limitation is prohibited by statute. CK Fires Ltd, in the event of a warranty claim, reserves the right either to replace the goods in question or to refund the purchase price of the goods. For product sold outside the UK and Ireland, UK law will prevail. The Evonic Fires Extended Warranty does not affect your statutory rights.

### **CK Fires Ltd / Evonic Fires**

**1, Evonic House, Clifford Park, Clifford Lane,  
Stratford-on-Avon, CV37 8HW**

**Tel: +44 (0)1789 263868 Fax: +44 (0)1789 293080**

**Email: [sales@evonicfires.co.uk](mailto:sales@evonicfires.co.uk)**

**[www.evonicfires.co.uk](http://www.evonicfires.co.uk)**

**Follow us on:**

**Instagram | Facebook | Twitter | LinkedIn  
@evonicfires**