

# e-LLUSION®

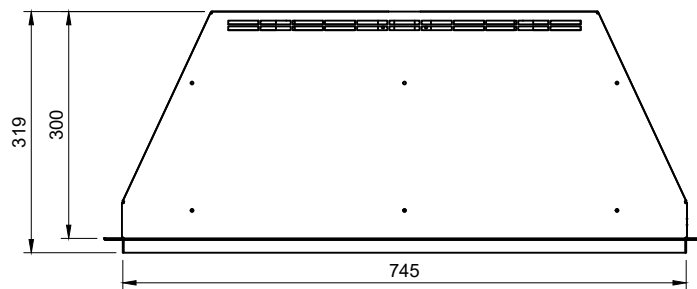
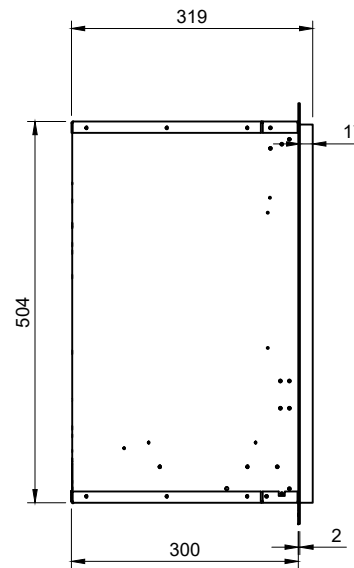
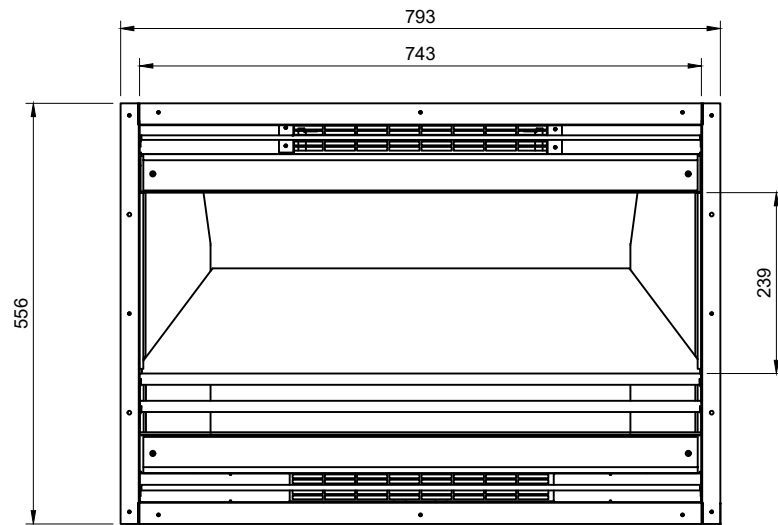
Specification Booklet



E-llusion Specification Booklet - Issue 1

**evonicfires**  
quality electric fires built in britain

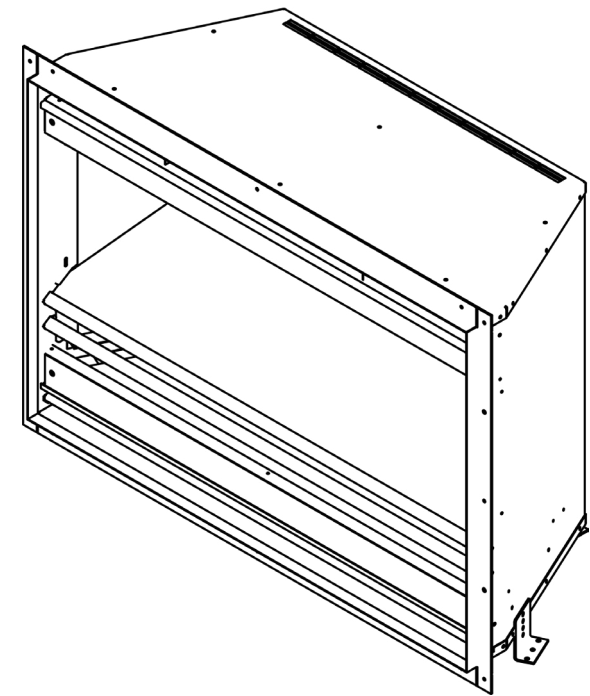
# Sirus



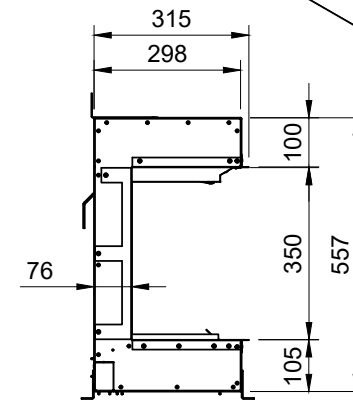
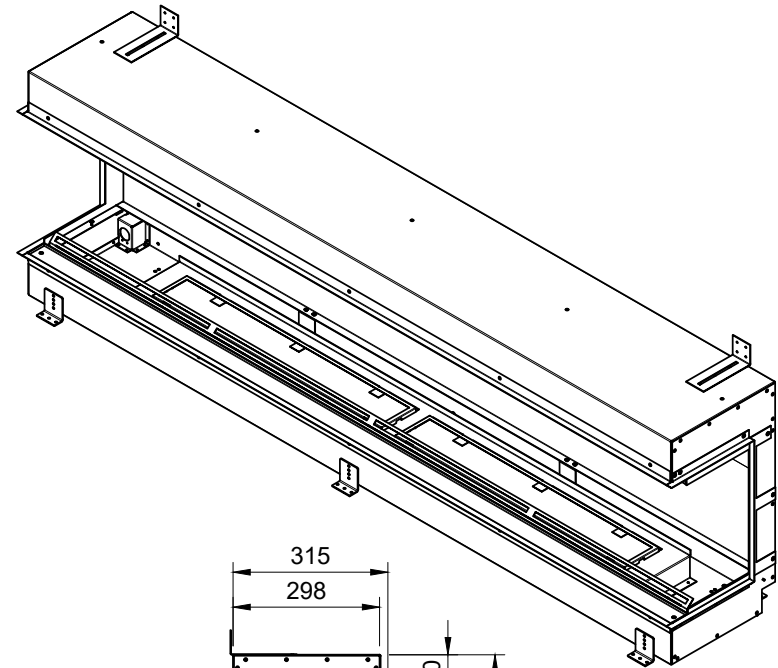
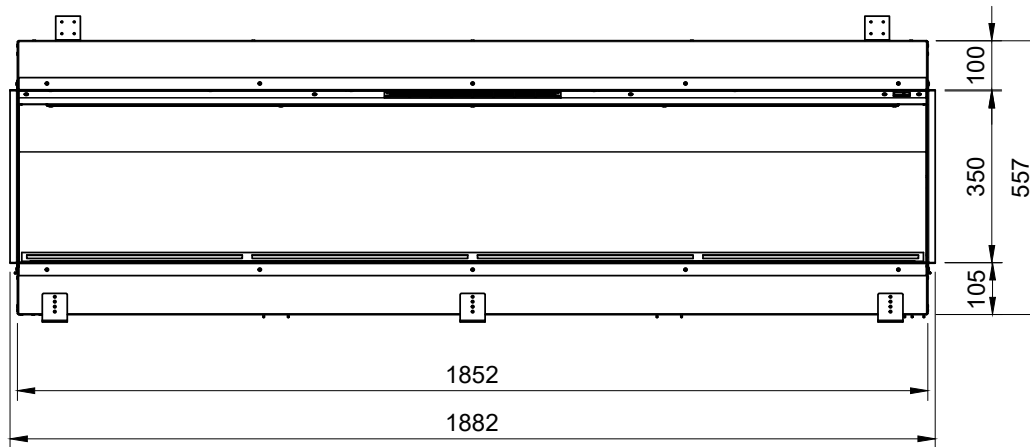
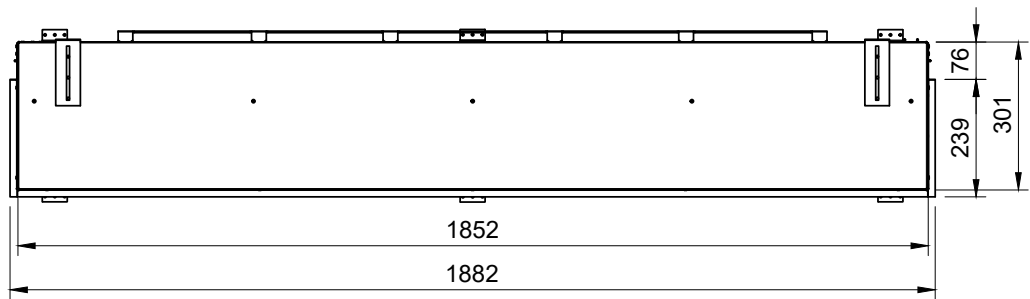
## SIRUS WITH FASCIA

WIDTH - 1145mm

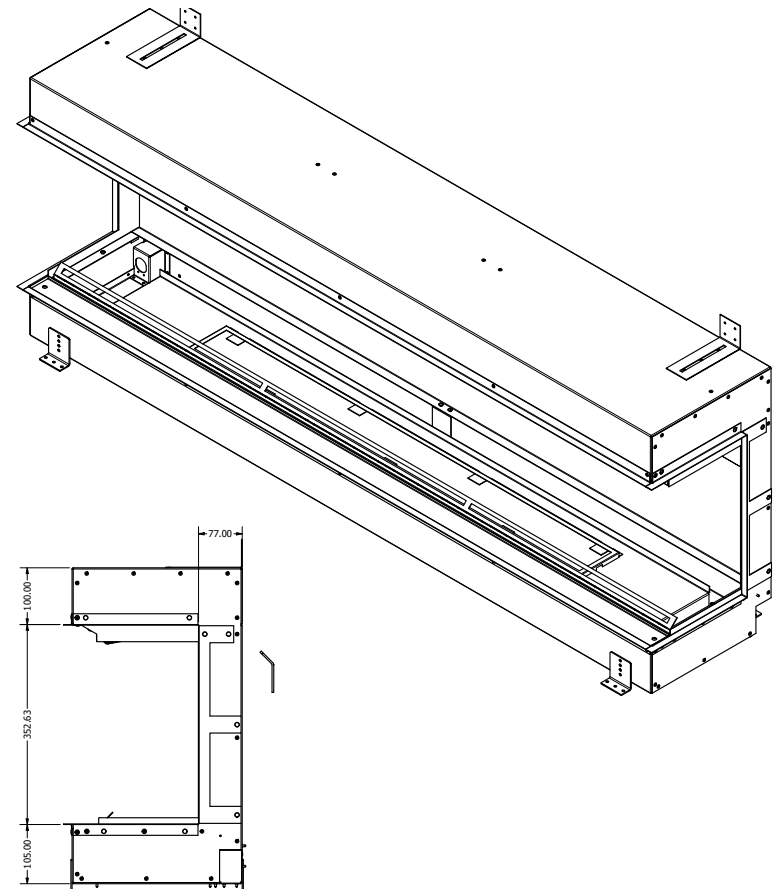
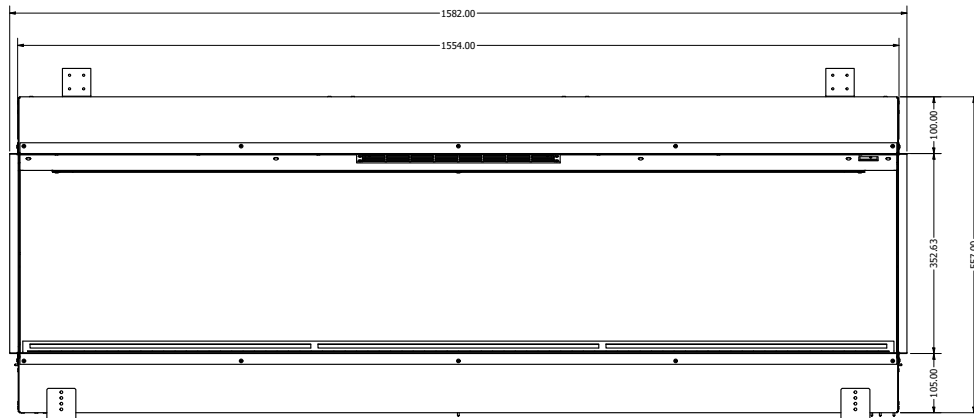
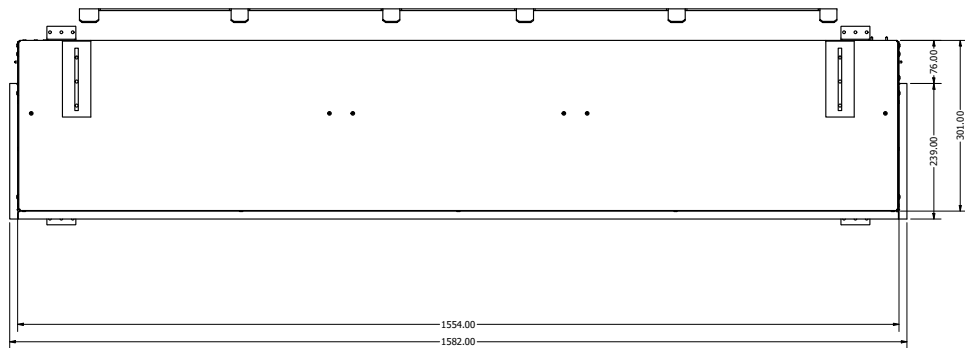
HEIGHT - 700mm



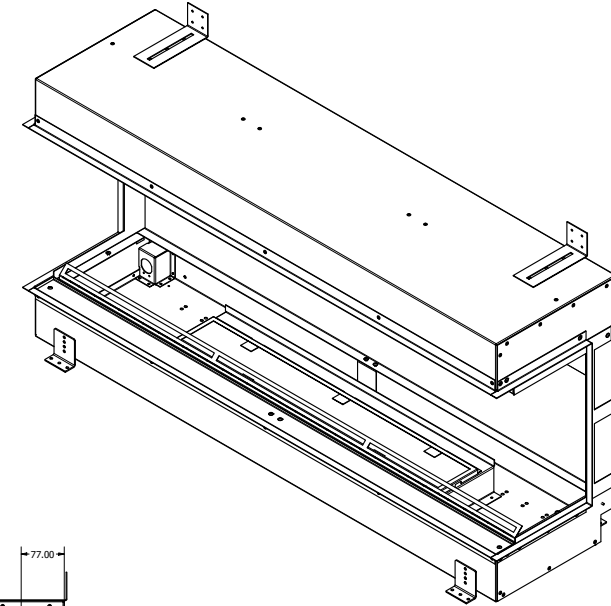
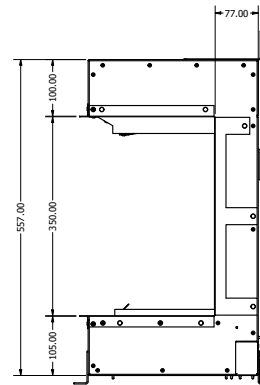
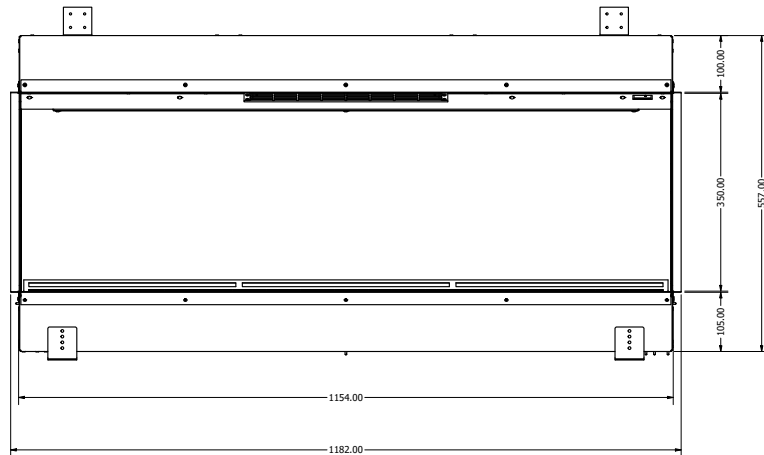
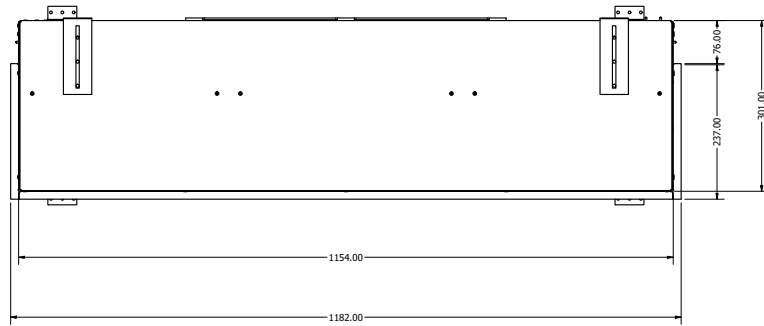
# Octane 1850



# Octane 1550



# Octane 1150



# Octane DS

