

# E-LLUSION

## E-Smart

### INSTRUCTION MANUAL

Alisio 850  
Alisio 1150

Alisio 1550  
Alisio 1850

Sirus

## CONTENTS

EU Directives and UKCA Standards.....	3
Important Information and Health & Safety.....	4
Components for E-llusion.....	5
Installation for Alisio.....	6
Model Dimensions.....	7
Installation Process.....	9
Converting to GF / GF2 / GF3.....	10
Installing the Side Panels / Converting to GF / GF2.....	11
Requirements and Checks.....	12
Installation.....	13
Installation for Sirius.....	17
Model Dimensions.....	18
Requirements and Checks.....	19
Installation.....	20
Installation with Fascia Board.....	21
Installation without Fascia Board.....	22
Removing the Internal Glass.....	23
Log Layouts.....	24
Installing the Glass - Alisio.....	26
Installing the Glass - Sirius.....	30
Troubleshooting, Warranty, & Registration.....	32

## UKCA STANDARDS

All Evonic Fires products are in conformity with the relevant UK Statutory Instruments (and their amendments).

2016 No. 1101 The Electrical Equipment (Safety) Regulations 2016

2016 No. 1091 The Electromagnetic Compatibility Regulations 2016

2012 No. 3032 The Restriction Of Use Of Certain Hazardous Substances In  
Electrical And Electronic Equipment Regulations 2012

## EU DIRECTIVES

All Evonic Fires products meet the requirements of the EC Directives. These directives have been met by compliance with the following standards:

EU 2011-65/EU 2015/863 Restriction of Hazardous Substances.

References to the relevant designated standards used:

EN 55014-1:2006 + A1:2009 + A2:2011 Electromagnetic Compatibility.

EN 55014-2:2015 Electromagnetic Compatibility.

EN 61000-3-2:2014 Electromagnetic Compatibility (EMC). Limits. Limits for Harmonic Current Emissions.

EN 61000-3-3:2013 Electromagnetic Compatibility (EMC). Limits. Limitation of Voltage Changes, Voltage Fluctuations and Flicker.

EN 60335-1:2012 + A11:2014 Household and similar electrical appliances - Safety

EN 60335-2-30:2009+A11:2012 Household and similar electrical appliances. Safety. Particular requirements for room heaters

The following materials and components should be disposed of in accordance with the below table.

Metal - Steel or cast iron	Can be taken to a local recycling centre for reuse to reduce waste going to landfill
Glass & Screens	Can be taken to a local recycling centre for reuse to reduce waste going to landfill.
Vermiculite	Non hazardous material. Vermiculite can be crushed up and used for plant bedding and ash used for composting or disposed of at a local recycling centre for reuse to reduce waste going to landfill.
Electrical components - Fans, heater elements, PCB's, Power pack's, LED's	Dispose at a local recycling centre In accordance with latest WEEE directive.
Log fuel effects	These logs contain refractory ceramic fibre materials which requires disposal in accordance with WEEE legislation.
Natural Wood	Can be taken to a local recycling centre for reuse to reduce waste going to landfill



## IMPORTANT INFORMATION AND HEALTH & SAFETY

When using electrical appliances, basic precautions should always be followed to reduce the risk of fire, electric shock, and injury to persons, including the following:

- Read all of the instructions carefully before using the appliance, only use this appliance as described in this manual. Any other use not recommended by the manufacturer may cause injury to persons, or damage to the appliance.
- Remove all packaging and dispose of it at an appropriate recycling facility.
- When transporting or storing the appliance and power lead, keep in a dry place, away from excessive vibration and store so as to avoid damage.
- This fireplace is hot when in use. To avoid burns, do not let bare skin touch hot surfaces. The trim around the heater outlet becomes hot during heater operation.  
**DANGER:** High temperatures may be generated under certain abnormal conditions.
- Do not install this appliance immediately in front of a fixed socket outlet.
- Do not install this appliance in the immediate surroundings of a bath, shower, swimming pool or any other area where the appliance could come into contact with water or humidity, e.g. a bathroom.
- Do not use in areas where gasoline, paint, or any flammable liquids are used or stored.
- This appliance is only suitable for indoor use, do not use outdoors.
- Do not cover the appliance, or let the air inlet/outlet to be obstructed in any way as it may overheat.
- Keep the power lead away from hot surfaces and the heater outlet. Do not route the power lead in front of the appliance, or under any carpets or rugs. Do not allow the power lead to be coiled up once installed, as this can cause overheating.
- This appliance must be firmly fixed to or recessed into, a flat internal wall.
- A maintenance hatch must be installed into the surrounding installation to allow future access.
- Always use a certified electrician should new circuits or outlets be required. And always use properly grounded, fused and polarised outlets.
- Where the power lead passes through any masonry wall, stone surround etc. ensure that suitable rubber bushes are fitted at any possible wear points.
- If the power lead is damaged do not use the appliance until it has been replaced.
- Do not use any external switching device, timers, or extension leads. Do not connect the appliance to a circuit that is frequently switched on and off by the utility.
- In the event of a malfunction, switch off the appliance, and disconnect it from the mains power supply. Have the appliance inspected by a certified electrician before reusing.
- Do not use the appliance if it is damaged. In the event of any damage to the appliance, please contact the retailer from whom the appliance was purchased.
- Any repairs must only be performed by a certified electrician.
- Extreme caution is necessary when any heater is used by, located near children or people of reduced mobility, and whenever the unit is left operating and unattended.
- Young children should be supervised to ensure that they do not play with the appliance.
- Disconnect from the power supply before performing any cleaning, maintenance or relocation of the unit. Do not use steam cleaners, or aerosols near the appliance.
- Do not burn wood or anything else in this appliance.
- Do not strike the glass. The glass used is toughened safety glass, if broken it will shatter into small chunks which are less likely to cause injury.
- Do not drill or screw any new holes into the appliance.

## COMPONENTS FOR E-LLUSION

Model	Log Sets & Quantity		Glass Stones Clear & Amber	Black Vermiculite	Glass Side Panels	Suction Lifter	Wall Brackets	Wall Bracket Fixings		Sirius Fascia Arctic / Sienna / Soapstone	Remote Control	Power Lead	E-llusion Instruction Manual
	E-llusion Log Set Woodland or Silver Birch							Wall Plugs	Rear & Top Bracket Screws				
Alisio 850	2 x		2 x Clear 2 x Amber	2 x	YES	1 x (Optional)	1 x rear (Optional) 2 x top	13 x	5 x rear 8 x top		1 x	1 x	1 x
Alisio 1150	2 x		2 x Clear 2 x Amber	2 x	YES	1 x (Optional)	1 x rear (Optional) 2 x top	13 x	5 x rear 8 x top		1 x	1 x	1 x
Alisio 1550	3 x		3 x Clear 3 x Amber	3 x	YES	1 x (Optional)	1 x rear (Optional) 2 x top	13 x	10 x rear 8 x top		1 x	1 x	1 x
Alisio 1850	4 x		4 x Clear 4 x Amber	4 x	YES	1 x	1 x rear 2 x top	13 x	10 x rear 8 x top		1 x	1 x	1 x
Sirius	1 x		1 x Clear 1 x Amber	1 x		1 x (Optional)				1 x (Optional)	1 x	1 x	1 x

---

# INSTALLATION

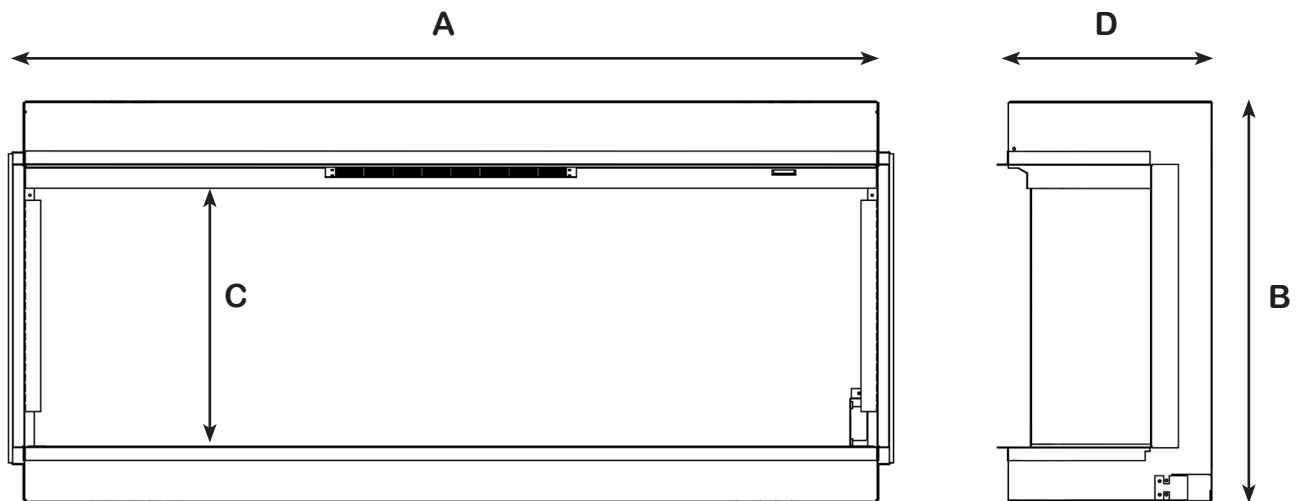
## Alisio

---

## MODEL DIMENSIONS

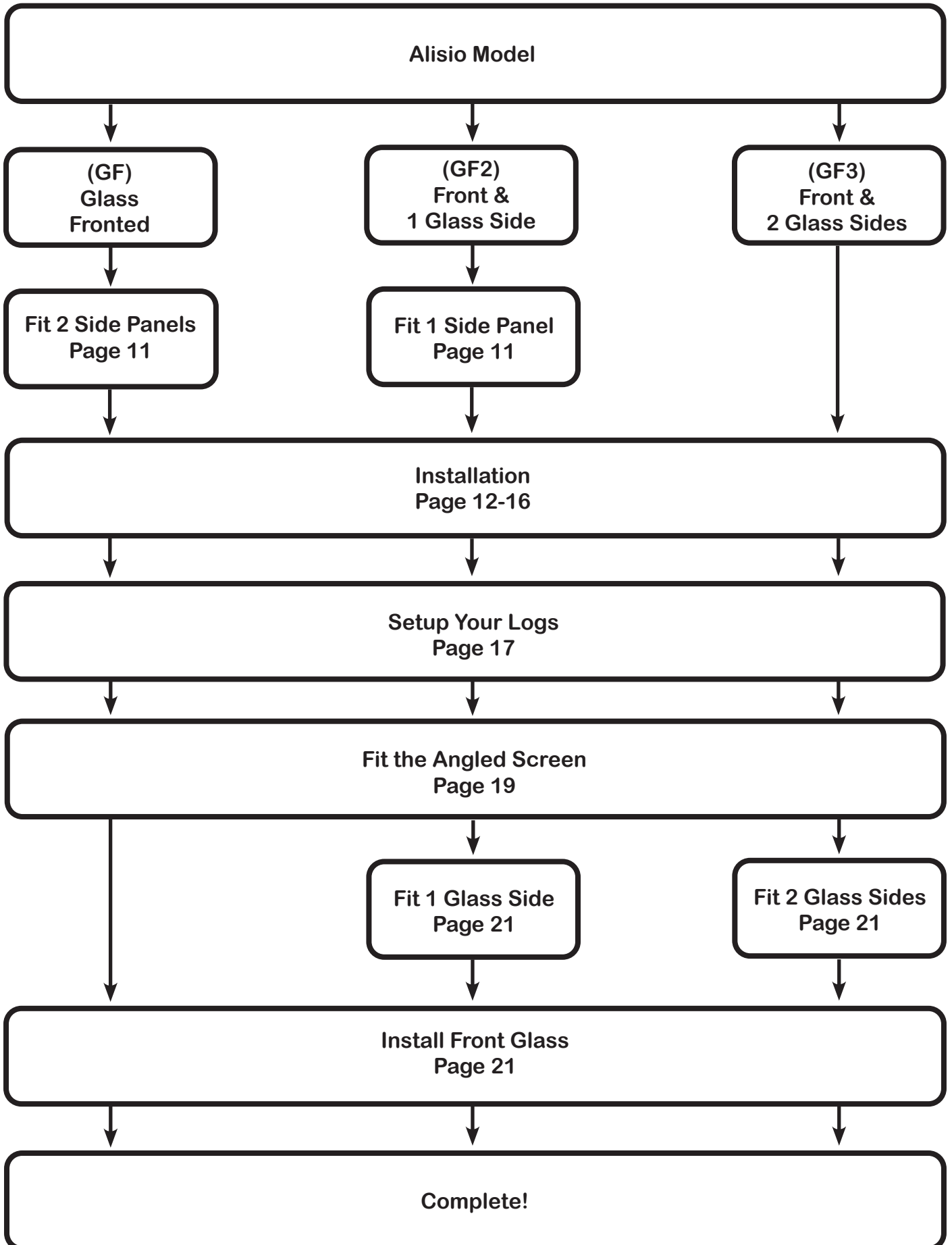


The model shown in these drawings is an 1150, however the same processes apply to all Alisio models.  
Scan the QR code for more detailed specification drawings.



Model	Width		Height		Depth
	With glass sides (A)	With optional side panels	Overall unit (B)	Opening (C)	Overall unit (D)
850	882mm	902mm	557mm	350mm	315mm
1150	1182mm	1202mm	557mm	350mm	315mm
1550	1582mm	1602mm	557mm	350mm	315mm
1850	1882mm	1902mm	557mm	350mm	315mm

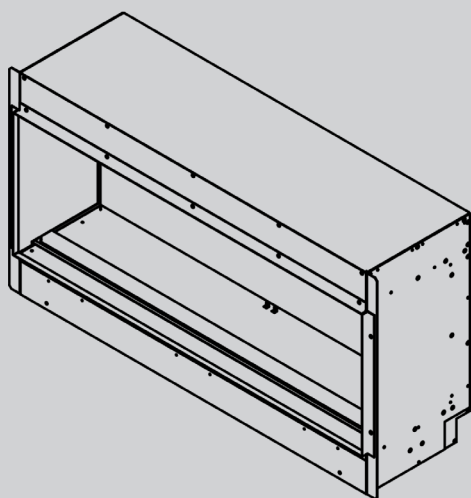
# INSTALLATION PROCESS





## CONVERTING TO GF / GF2 / GF3

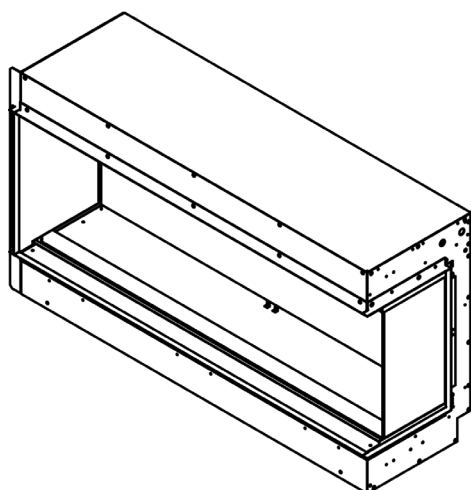
The appliance is shipped in the GF3 configuration, however it can be converted to be GF or GF2 depending on your preference.



### GF Configuration

#### **Glass Fronted**

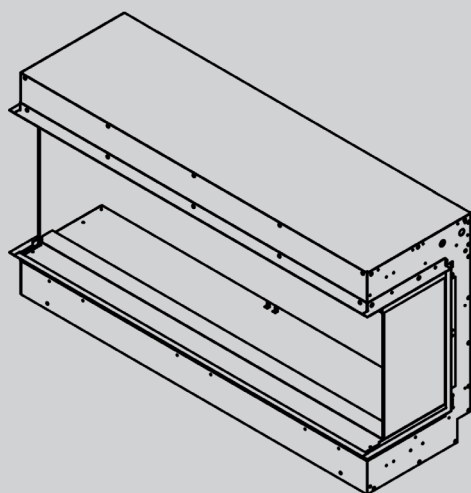
A single glass panel at the front of the appliance.



### GF2 Configuration

#### **Glass Fronted 2**

A glass panel at the front and one side piece of glass. The glass can be either side.



### GF3 Configuration

#### **Glass Fronted 3**

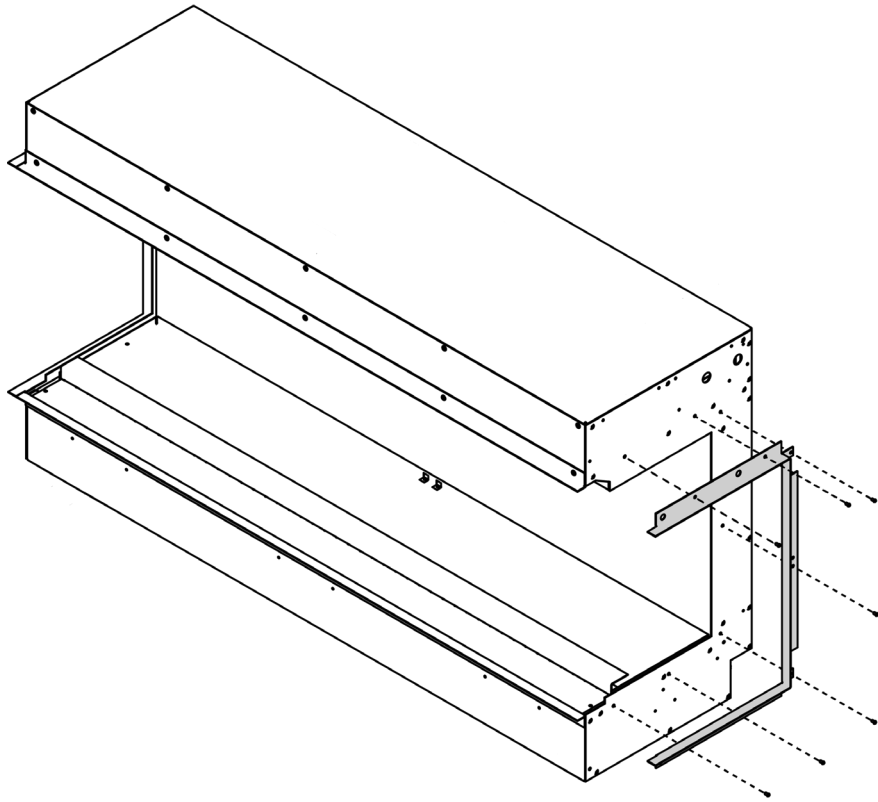
The standard configuration.

A glass panel at the front and both side pieces of glass.

## INSTALLING THE SIDE PANELS / CONVERTING TO GF / GF2

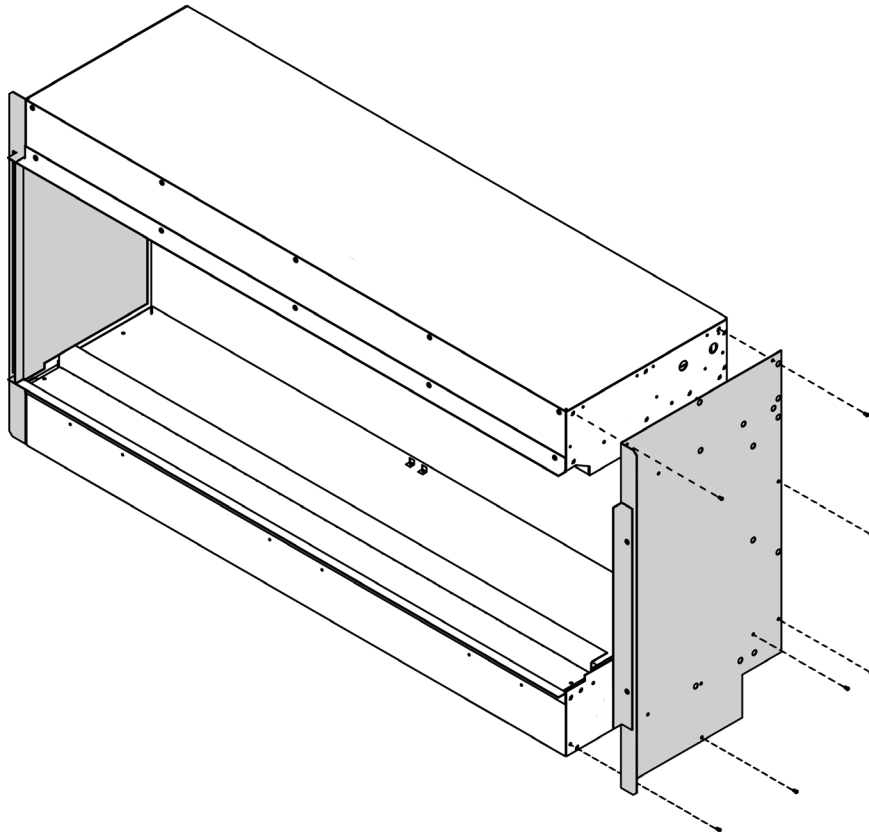
1

Unscrew and remove the plaster kits from the side/s of the appliance.



2

Screw in the side panel/s, on one or both sides.



# INSTALLATION

## INSTALLATION REQUIREMENTS

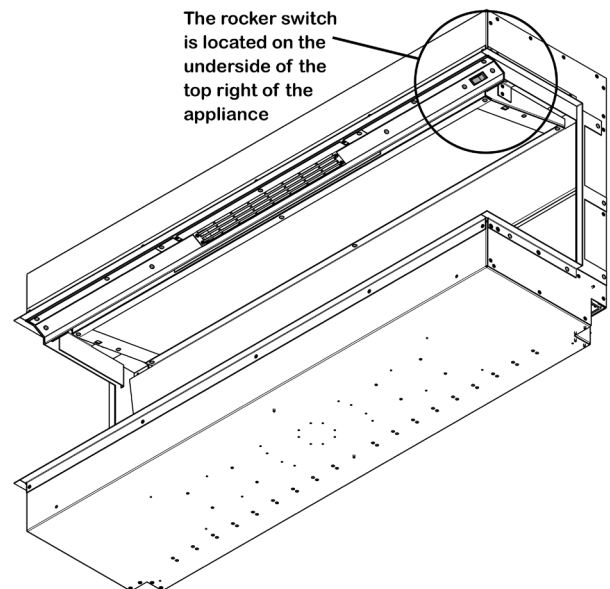
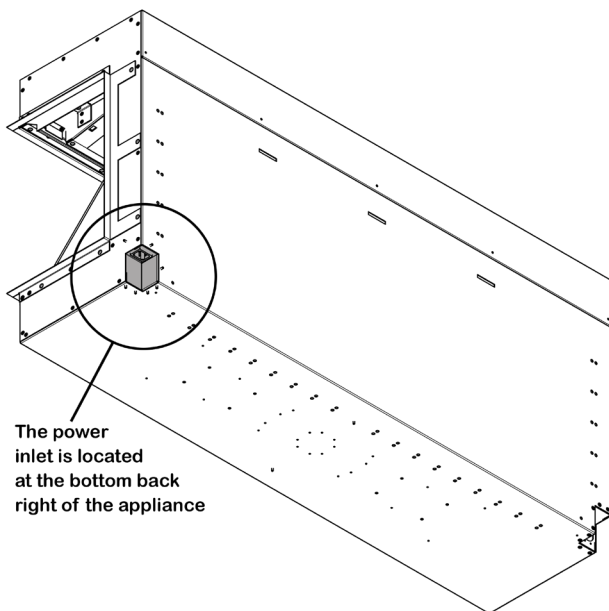
Before installing the appliance please read and take into account the following important requirements;

- Consult a qualified professional to check the structure of the installation site.
- These appliances have been designed to be installed into either a stud and plasterboard wall, or an existing chimney breast. (Please note that GF2, and GF3 models are not suitable for existing chimney breast installations.)
- If installing into an existing chimney, make sure to adequately block off the flue.
- The 1850 appliance requires extra support due to its size and weight, as such it is not suitable for 'floating' installations.
- The appliance must never be installed in front of an electrical socket.
- The appliance must not be installed anywhere that it may come into contact with water, i.e. a bathroom.
- Do not wet plaster directly onto the appliance.

## CHECKS BEFORE INSTALLATION

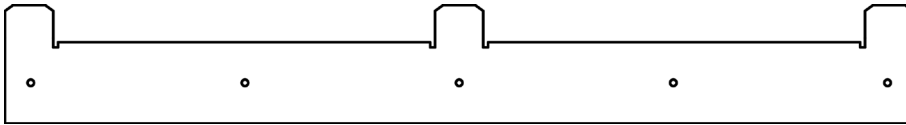
We recommend turning on the appliance before installation, connect the appliance to a power source using the provided electrical lead, and depress the right side of the rocker switch.

Remove the electrical lead from the wall and continue with the installation.

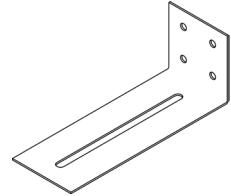


## TOOLS REQUIRED

- Tape Measure
- Pencil
- Spirit Level
- Screwdriver
- PZ2 Screw Bit
- Drill Bit
- Rear Wall Bracket Plugs (Masonry type supplied)
- Rear Wall Screws (Masonry type supplied)
- Top Mounted Bracket Screws (supplied)
- Top Mounted Bracket Wall Plugs (supplied)
- Stud Detector (Plasterboard installations only. Not supplied)
- Wall Anchors (Plasterboard installations only. Not supplied)



x 1 Rear Wall Bracket



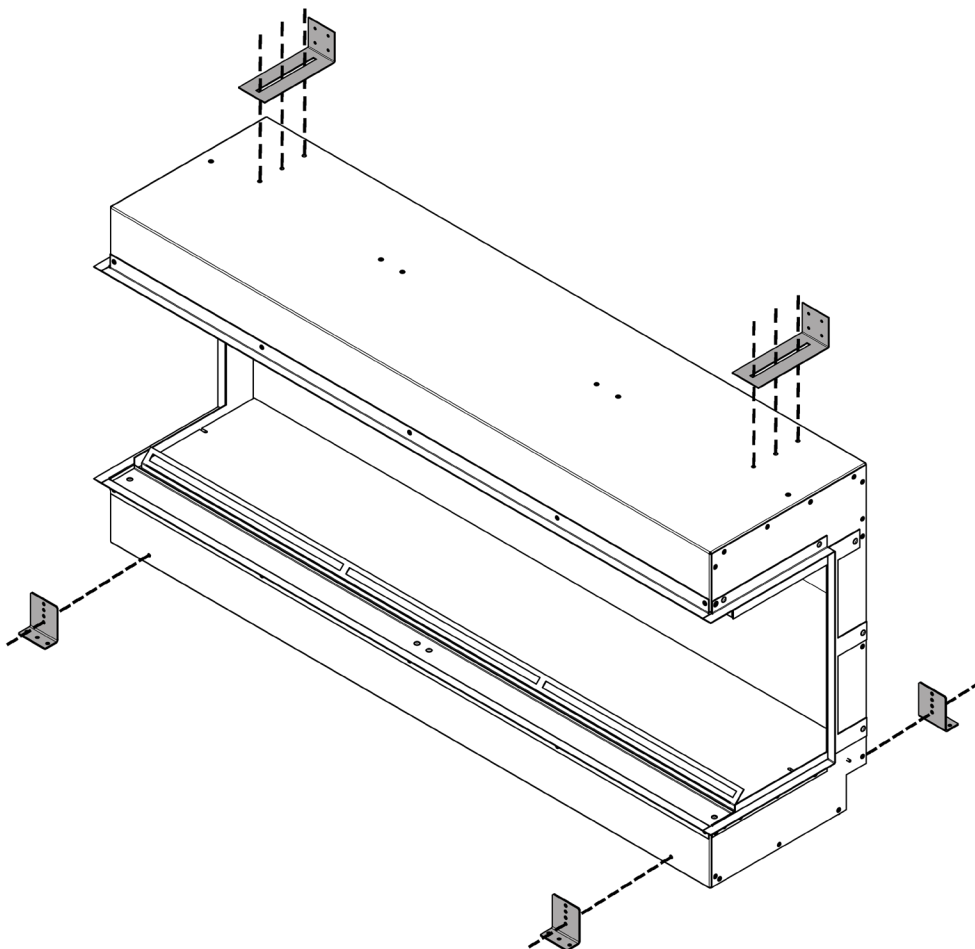
x 2 Top Mounted Wall Brackets

The appliance is supplied with a rear wall bracket as an optional extra (included with Alisio 1850), the size of this bracket and the number of screw holes varies between models.

## INSTALLATION STEPS

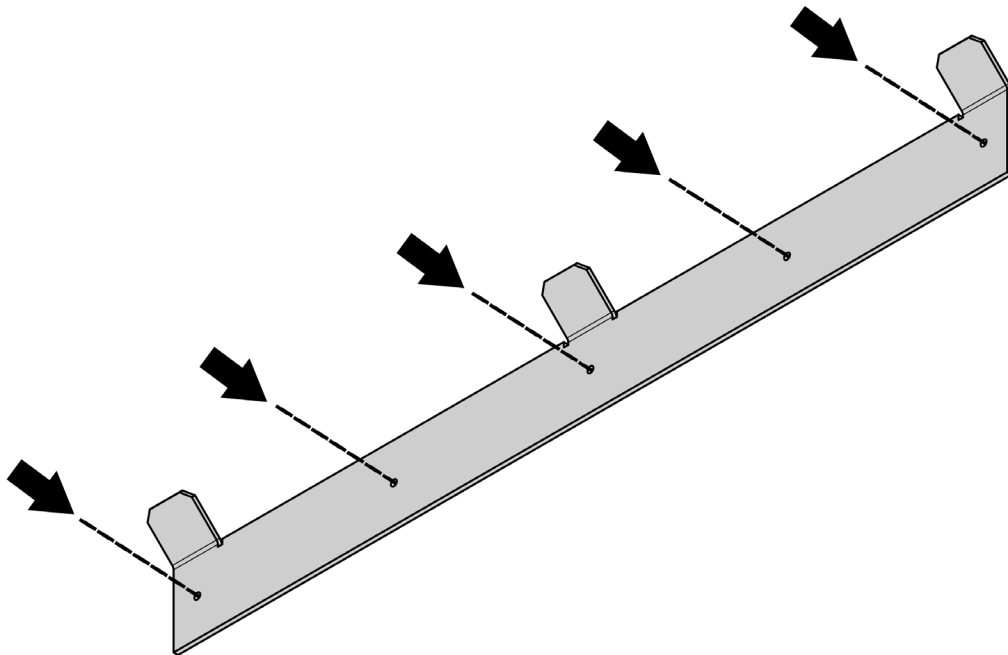
1

Remove the bottom transit brackets, then screw on the top mounted brackets.



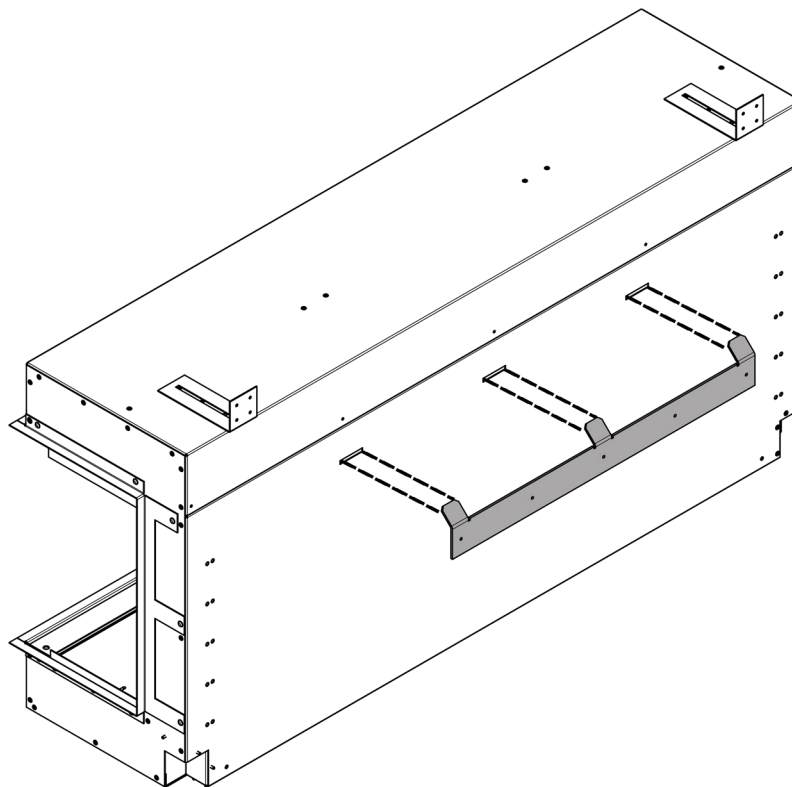
2

Determine the finished height and position that you want the appliance to be located. Then secure the wall bracket to the wall in the position you need using the wall plugs and screws provided. If you're not securing the appliance to a masonry wall you will need to use the appropriate fixings.



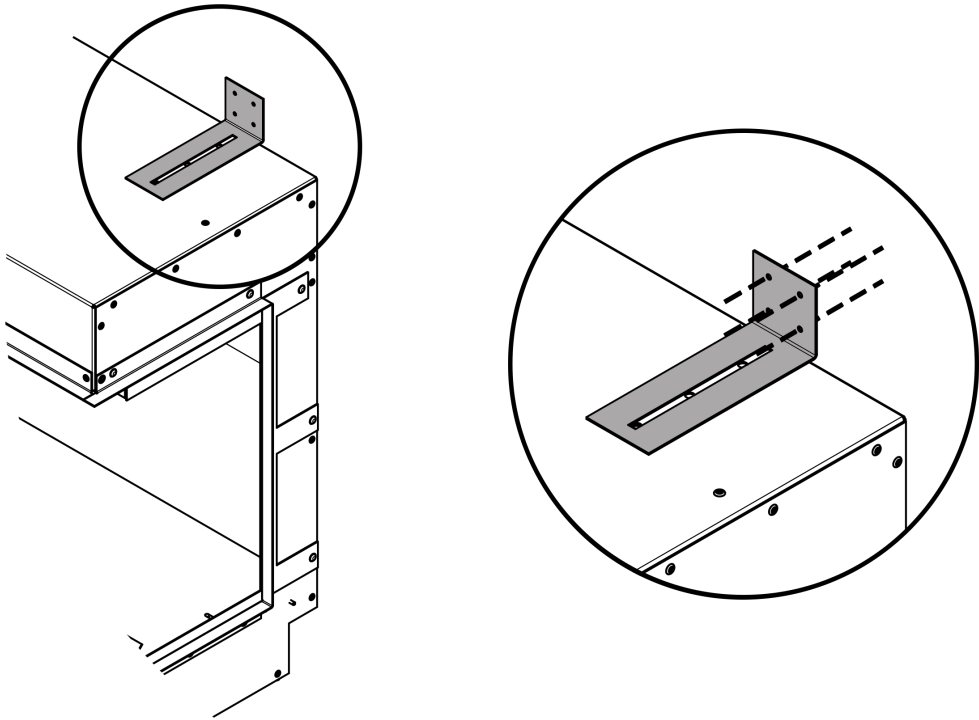
3

You can now hang the appliance on the wall by slotting the tabs of the wall bracket into the slots on the back of the appliance. If you are installing an 1850 you will need to provide extra support for the appliance.



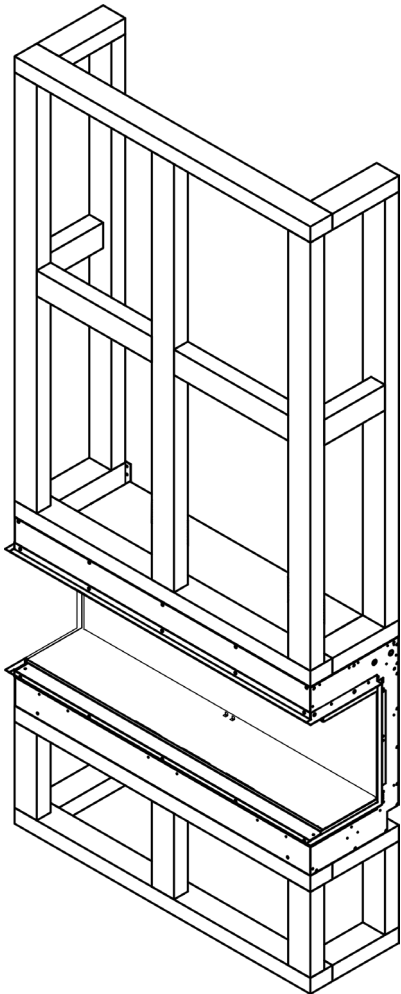
4

Screw the two top mounted brackets to the wall.



5

You can now construct your stud wall/s around the appliance in the design of your choosing.



When constructing the studwork, remember that the vents on the underside of the appliance need a minimum of 50mm clearance beneath them.

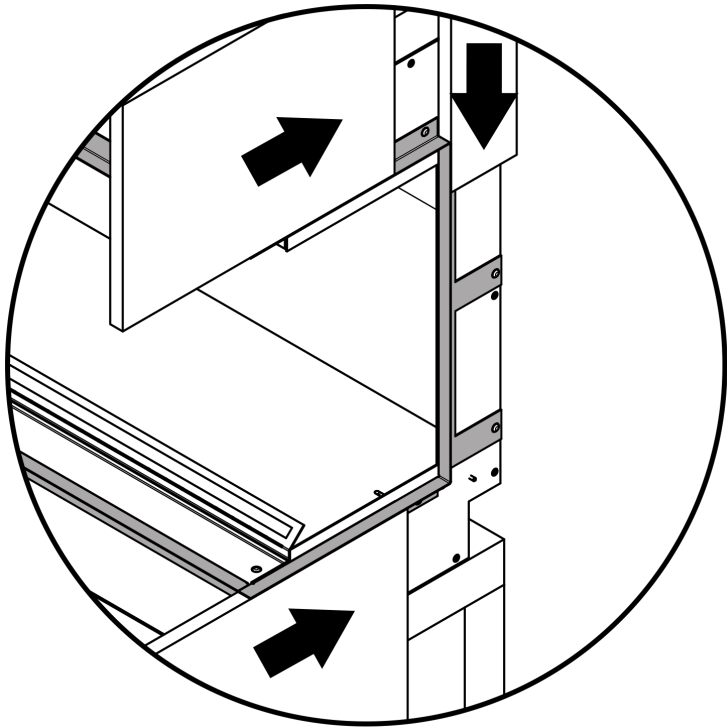
Ensure that the appliance isn't supporting the weight of the studwork.

Do not use silicones, adhesives, or wet plaster to seal in the appliance.

Before plasterboarding in the appliance it is recommended that you create a maintenance hatch for future access.

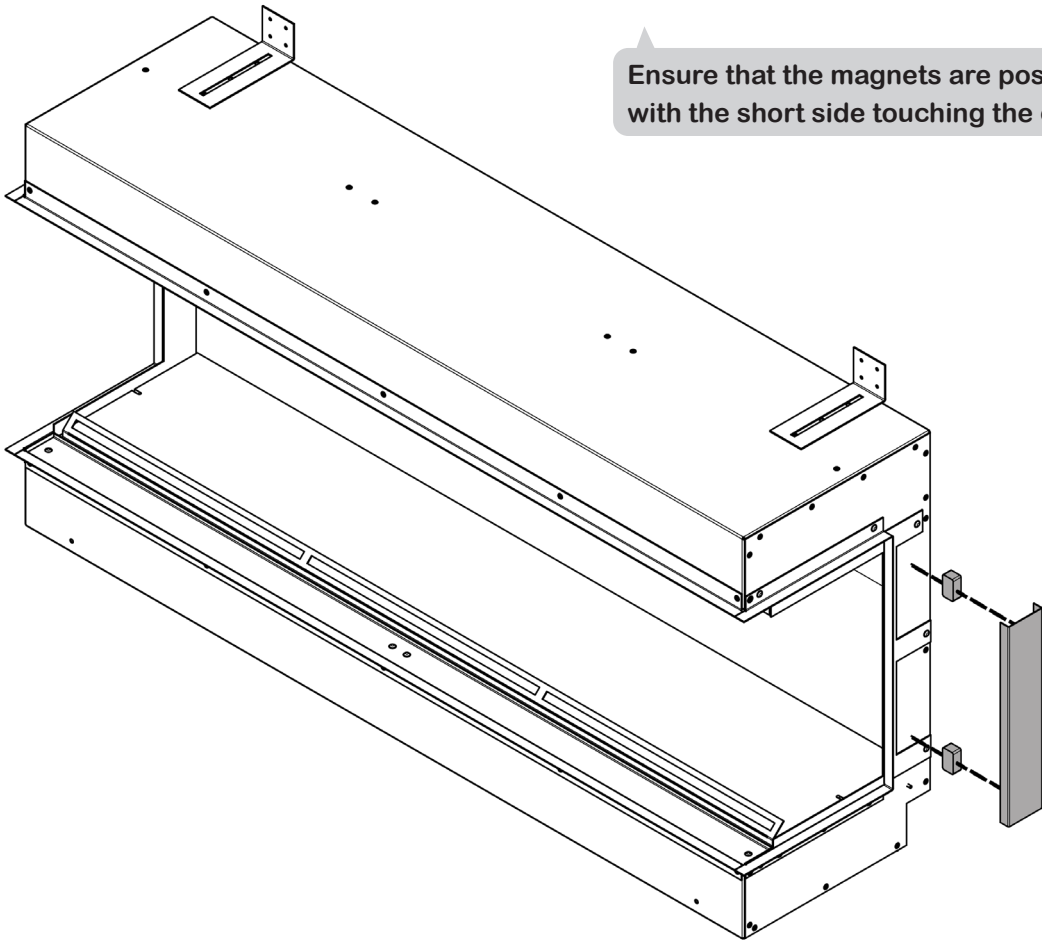
6

Your plasterboard can now line up with the plaster kits on the edge of the appliance.



7

Alternatively, the chrome side panels can be attached to the case with the magnets as shown below.



Ensure that the magnets are positioned with the short side touching the case.

---

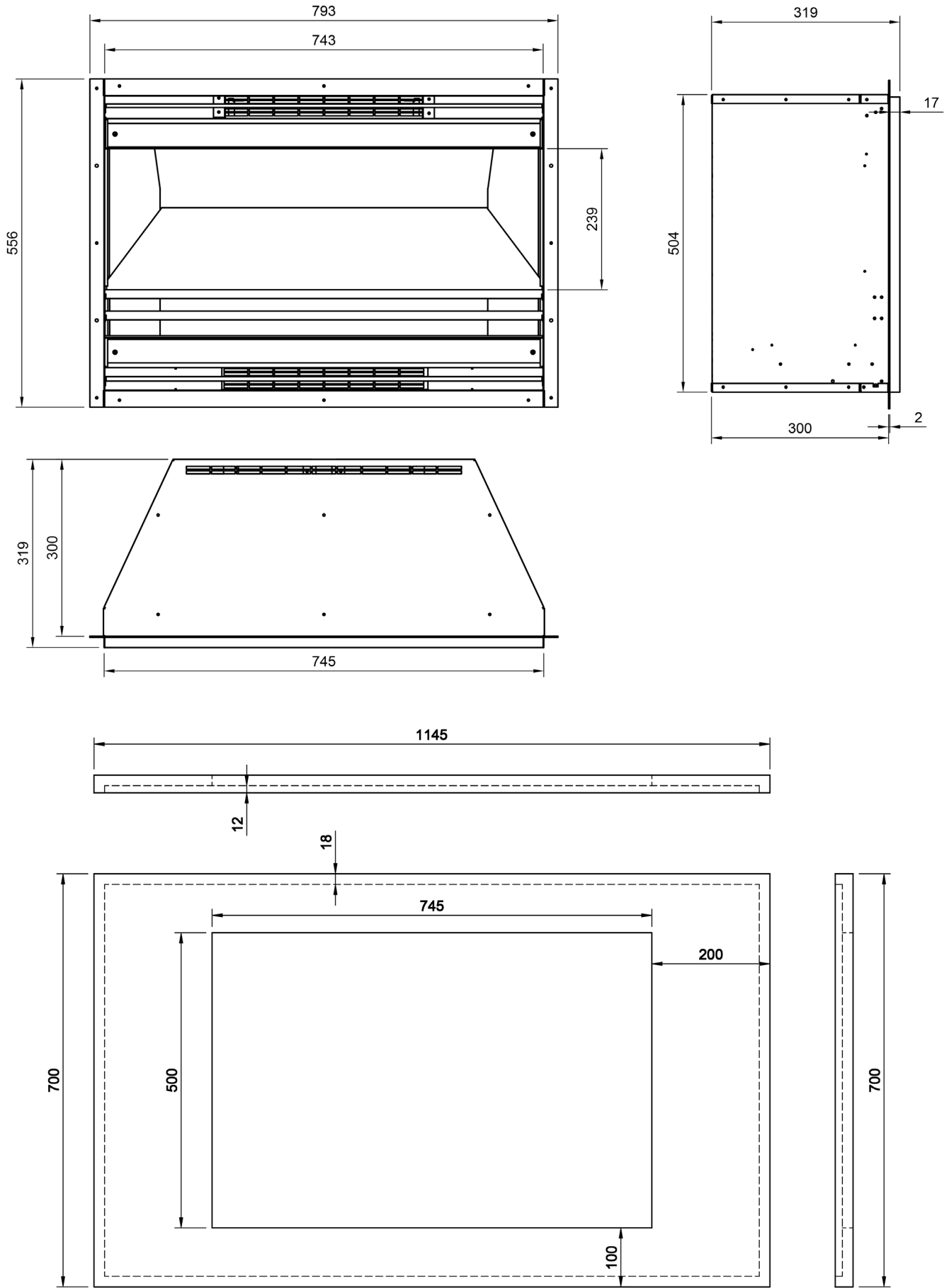
# INSTALLATION

## Sirus

---



# MODEL DIMENSIONS



# INSTALLATION

## TOOLS REQUIRED

- Tape Measure
- Pencil
- Spirit Level
- Screwdriver
- PZ2 Screw Bit
- Screws (Supplied)

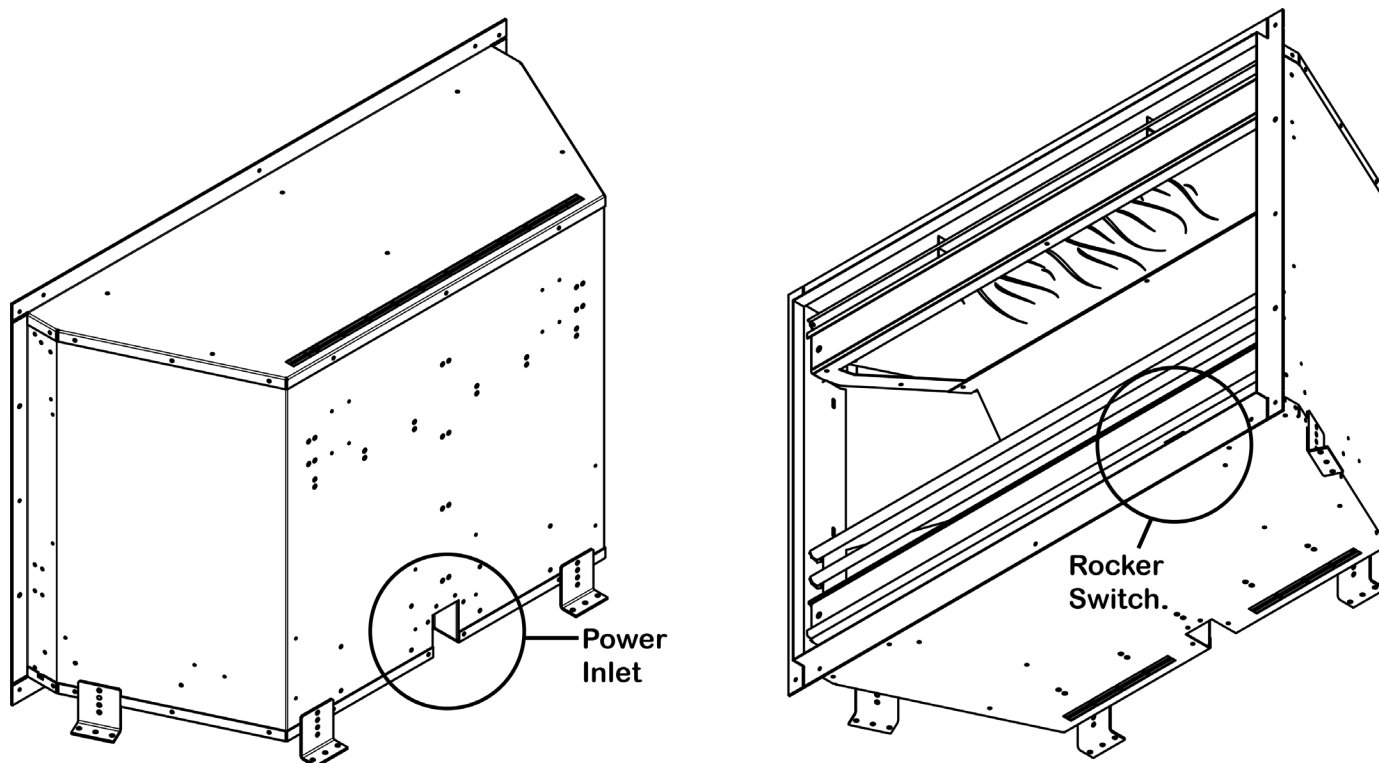
## INSTALLATION REQUIREMENTS

Before installing the appliance please read and take into account the following important requirements;

- Consult a qualified professional to check the structure of the installation site.
- This appliance has been designed to be installed into either a stud and plasterboard wall, or an existing chimney breast.
- If installing into an existing chimney, make sure to adequately block off the flue.
- The appliance must never be installed immediately in front of an electrical socket.
- The appliance must not be installed anywhere that it may come into contact with water, i.e. a bathroom.

## CHECKS BEFORE INSTALLATION

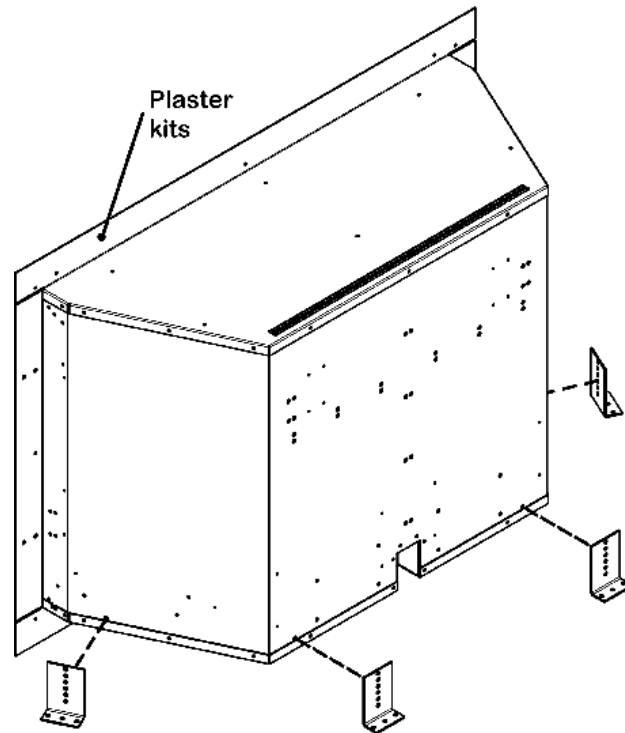
We recommend turning on the appliance before installation, connect the appliance to a power source using the provided electrical lead, and depress the right side of the rocker switch.



## INSTALLATION STEPS

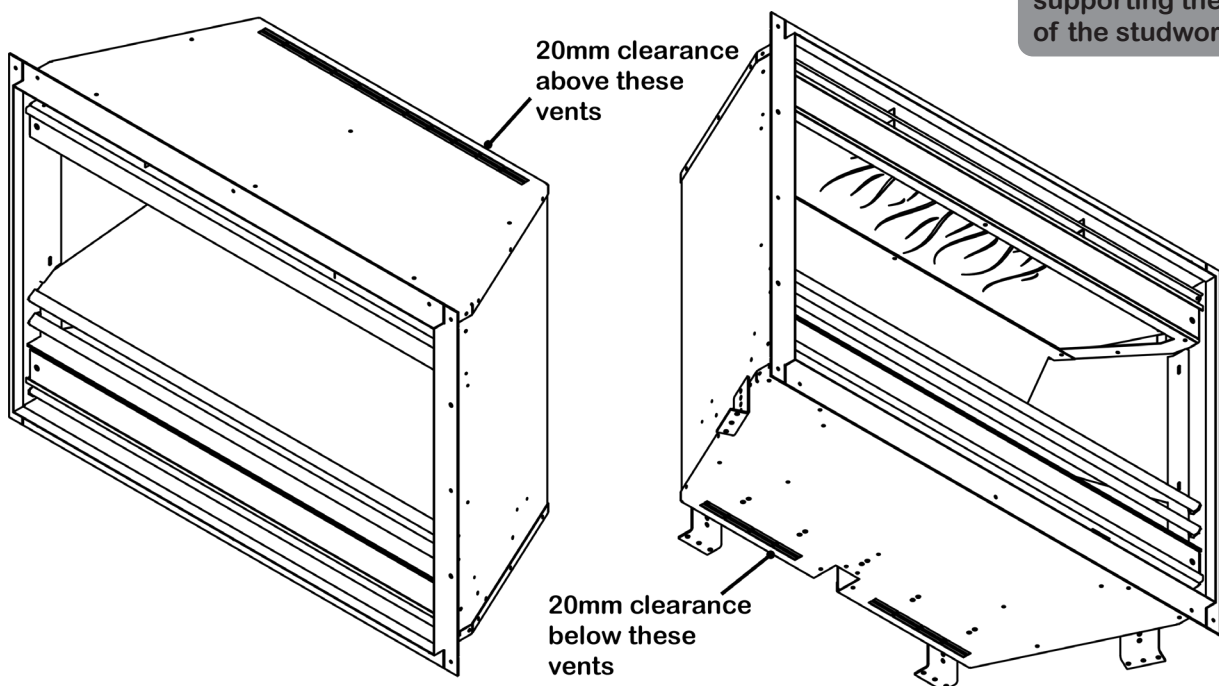
1

First, unscrew and remove the four transit brackets on the bottom corners of the fire. You won't need these for the installation. Then measure the appliance, excluding the plaster kits, to determine the size of the opening you need to create.



2

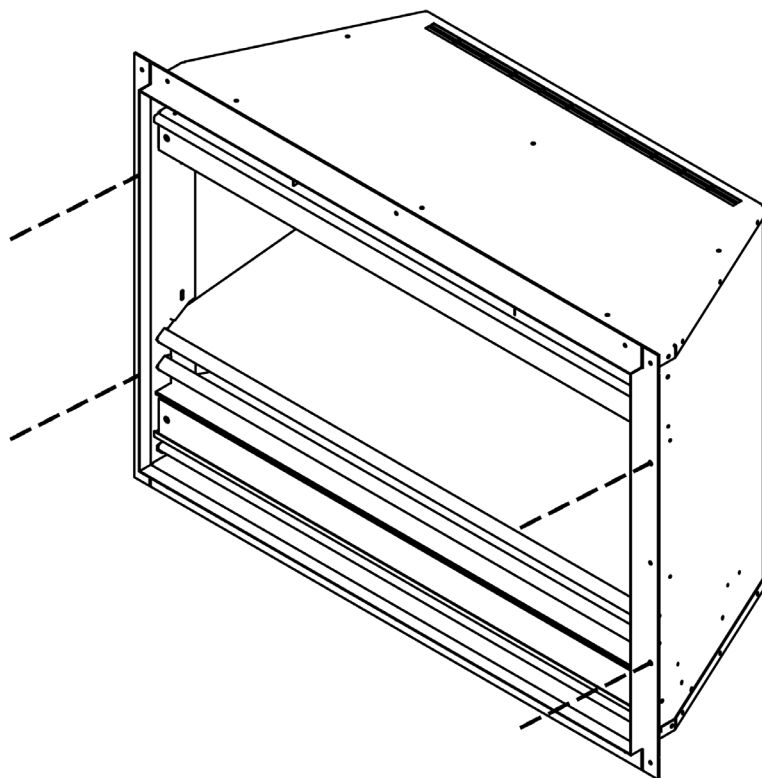
When constructing your studwork ensure that the appliance will have a minimum of 20mm clearance around the top and bottom mounted vents.



## WITH FASCIA BOARD

3a

Plasterboard your studwork, then slide the appliance into the prepared void. Once in place screw the appliance to the plasterboard using the two screw holes on each side.

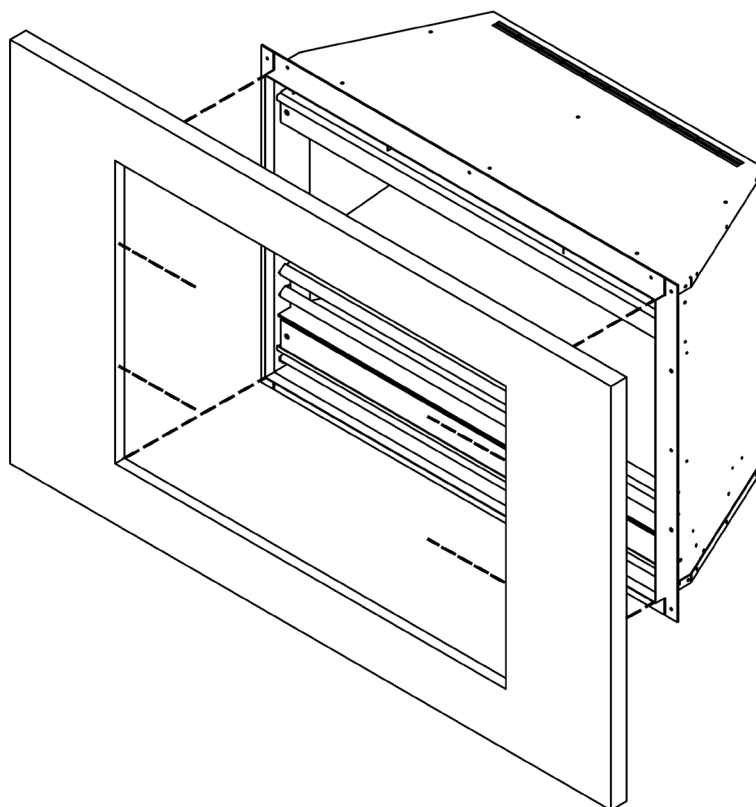


Do not use silicones or adhesives to seal in the appliance.

We recommend creating a maintenance hatch in your plasterboard for future access.

4a

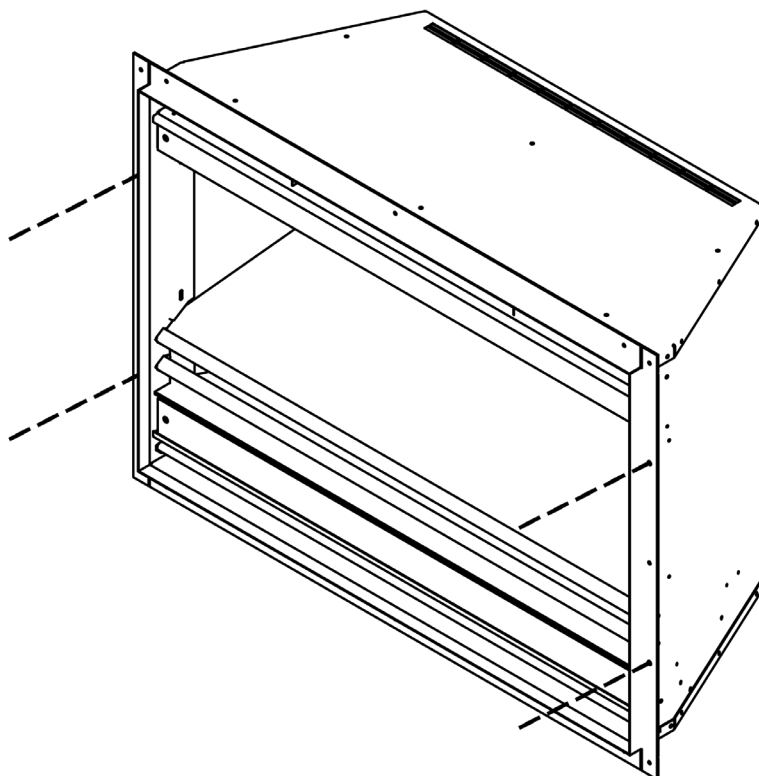
You can now lift and position the fascia board onto the appliance. Then screw the fascia board to the appliance by screwing the two screws supplied into the holes on the inner sides.



## WITHOUT FASCIA BOARD

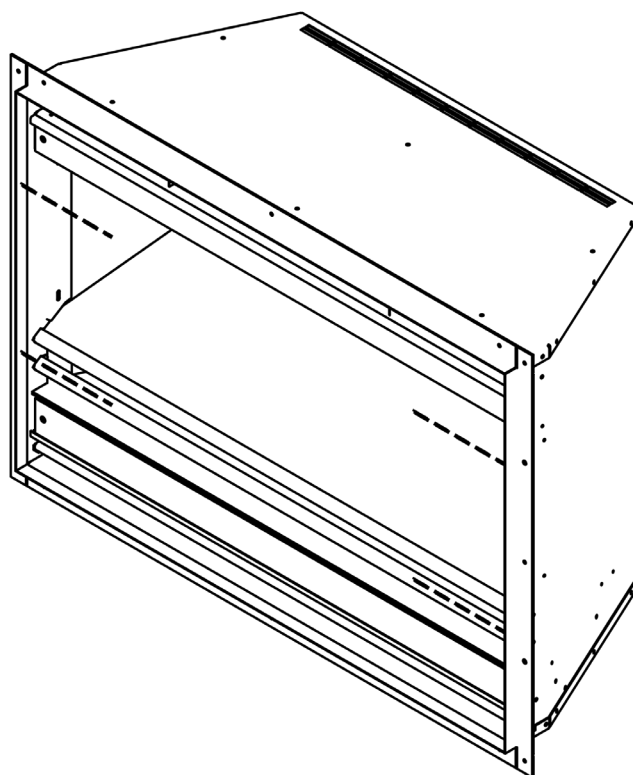
**3b**

Slide the appliance into the prepared void then screw the appliance to the studwork using the two screw holes on each side.



**4b**

You can now plasterboard your studwork fitting it flush with the plaster kits on the appliance. Then screw the plasterboard to the appliance using the two screw holes on the inner sides.



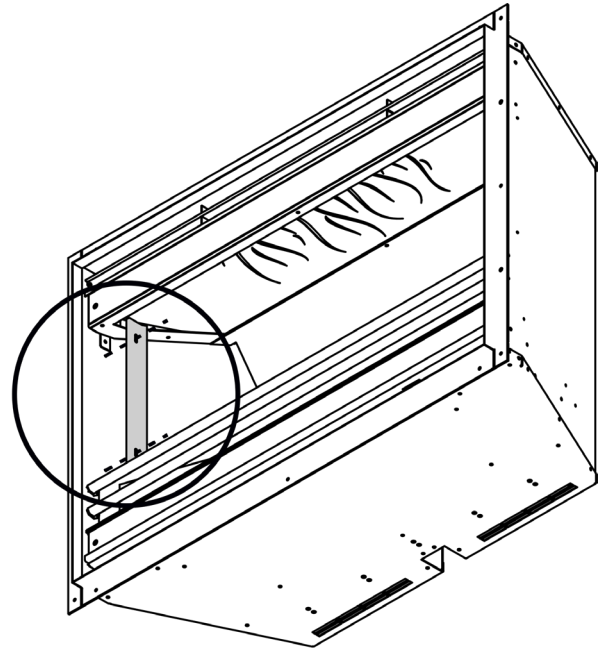
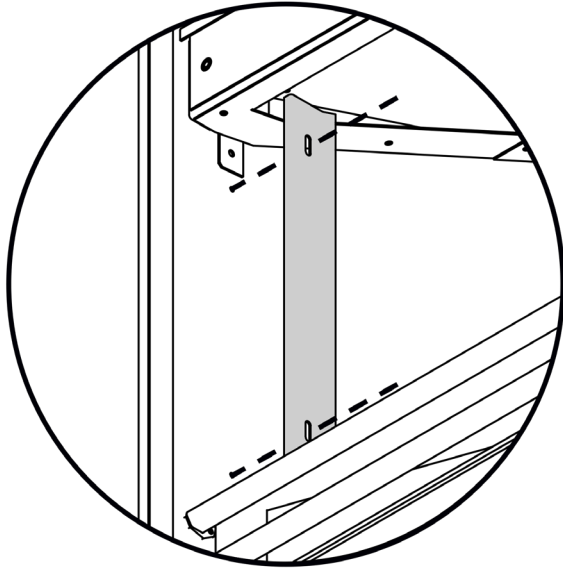
Do not use silicones, adhesives, or wet plaster to seal in the appliance.

We recommend creating a maintenance hatch in your plasterboard for future access.

## REMOVING THE INTERIOR GLASS

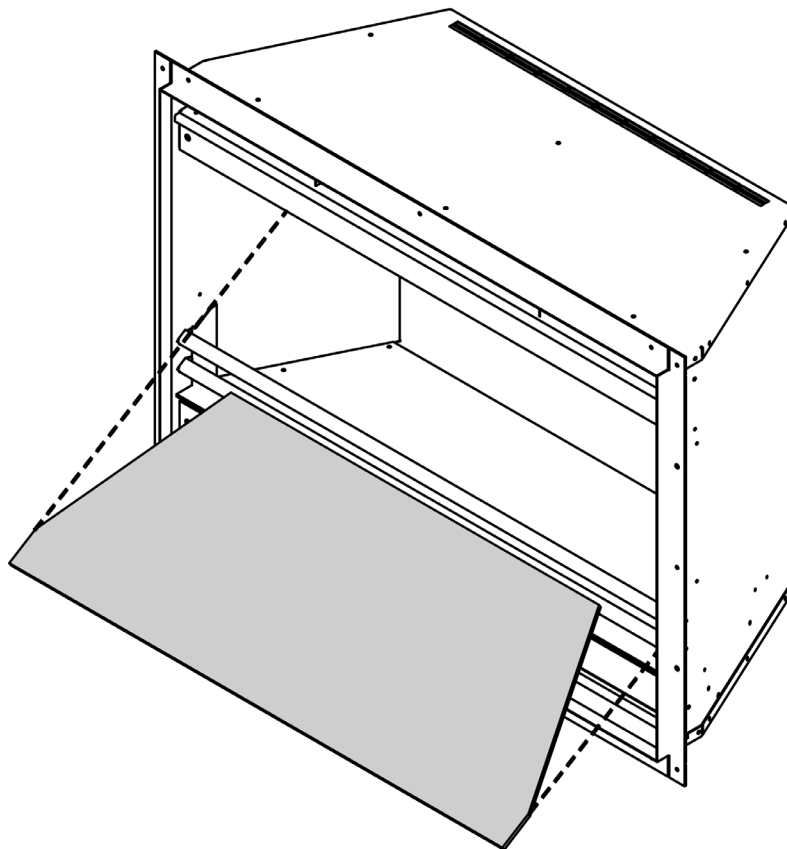
1

Unscrew and remove the top side brackets and decorative panels on the sides of the interior. Then remove the velcro decorative panel at the back of the internal glass.



2

Lift and slide out the interior glass panel.



3

You can now set up your logs, and replace the interior glass by reversing the above steps.

---

# LOG LAYOUTS

---

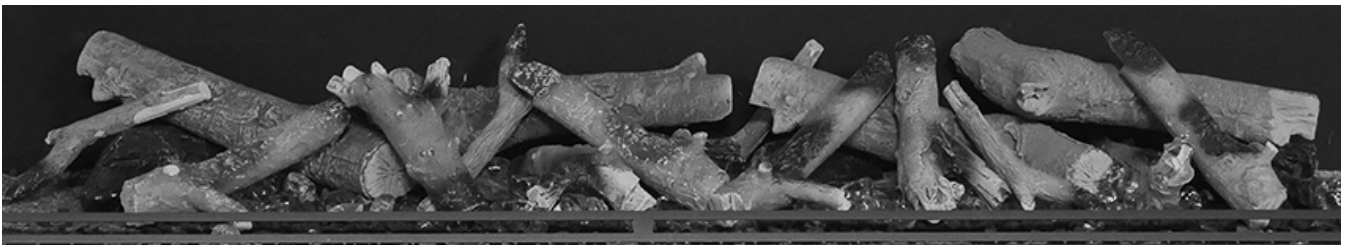


## LOG LAYOUTS

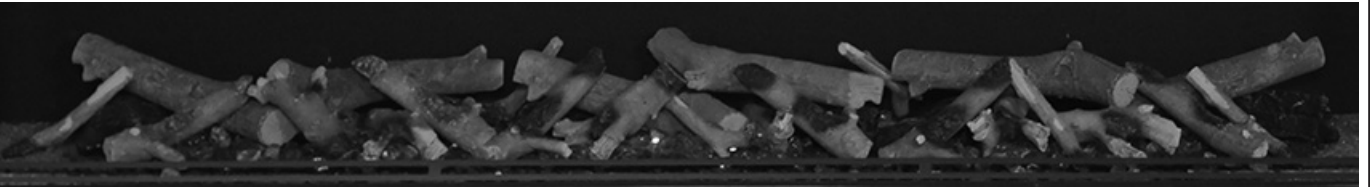
When you have your appliance installed you can set up your log set/s. Lay out the provided Glass Stones and Vermiculite on the fuel bed first, then continue with laying out your logs. There is no right or wrong way to arrange your logs, the following images are an example of how you could lay them out.



1 x E-Ilusion log set Woodland / Silver Birch  
Sirius



2 x E-Ilusion log sets Woodland / Silver Birch  
Alisio 850 / 1150



3 x E-Ilusion log sets Woodland / Silver Birch  
Alisio 1250



4 x E-Ilusion log sets Woodland / Silver Birch  
Alisio 1850



---

# INSTALLING THE GLASS

## Alisio

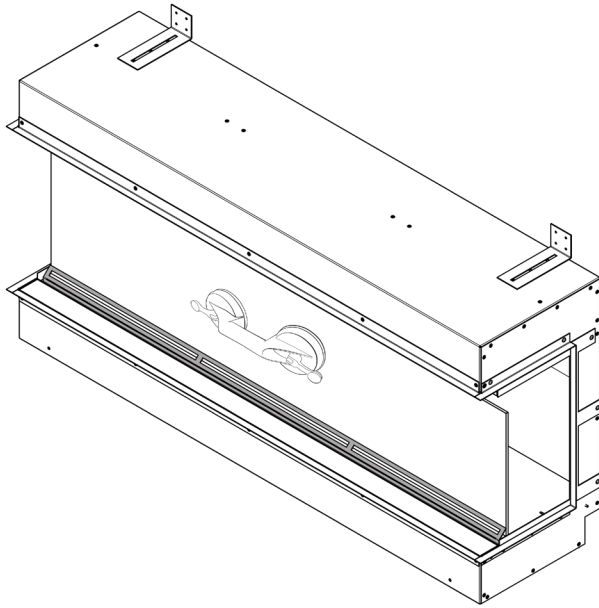
---

Please Note: The glass suction pad comes with the Alisio 1850. On all other models, the glass suction pad is an optional extra.

## INSTALLING THE ANGLED SCREEN

1

On the Alisio 1850 model, apply the Suction Lifter to the glass and position the bottom edge of the glass first, then pivot the glass into the appliance. If not using a glass sucker, carefully hold the glass on either end and follow the same process. 2 people may be required for this to ensure the glass is carefully supported at all times.

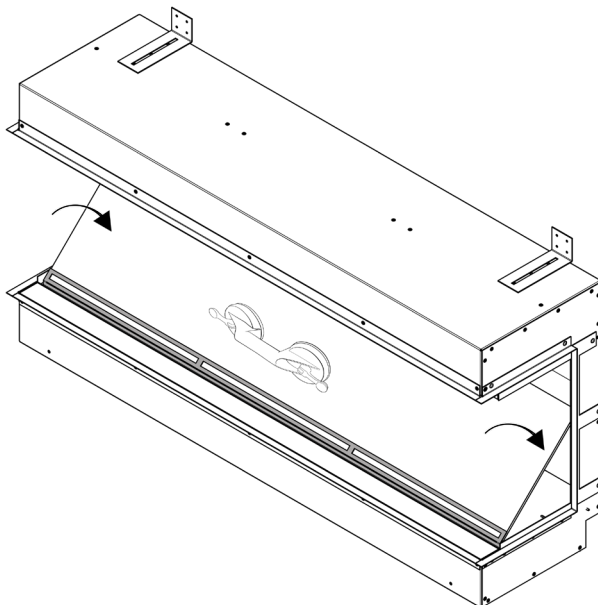


### Warning

The Suction Lifter is provided to assist in moving the glass **NEVER** as the sole support of the glass. Always support the glass throughout the entire process until the glass is fully fitted. The glass is toughened safety glass and if broken will shatter into many small chunks.

2

Pivot the glass backwards to a 45° angle so that it fits under the retaining bar, and rests against the back of the interior of the appliance.

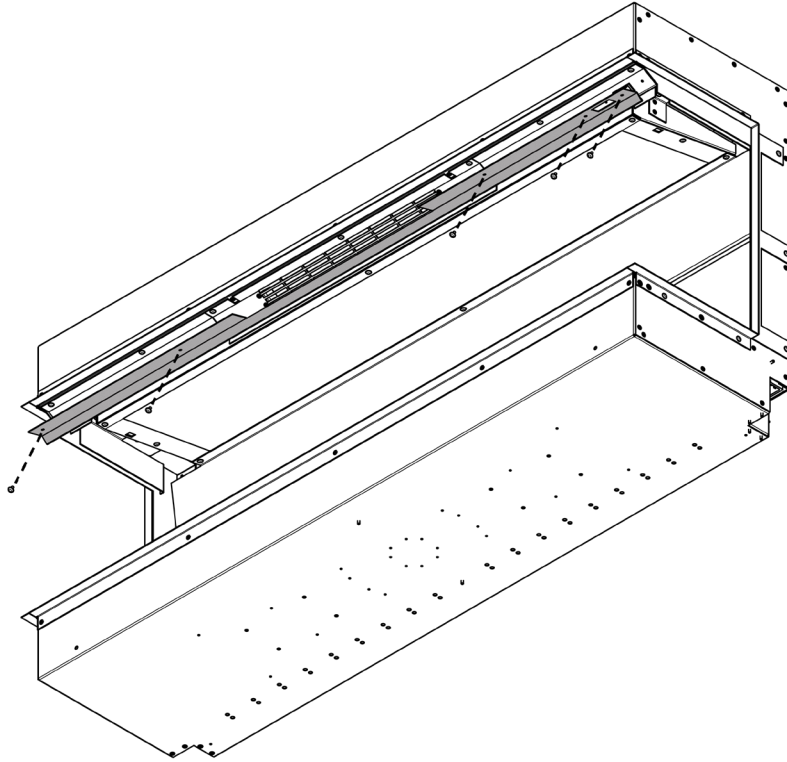


## INSTALLING THE SIDE & FRONT GLASS PANELS

If you are installing a GF model, you should complete Step 1 then skip to Step 3.

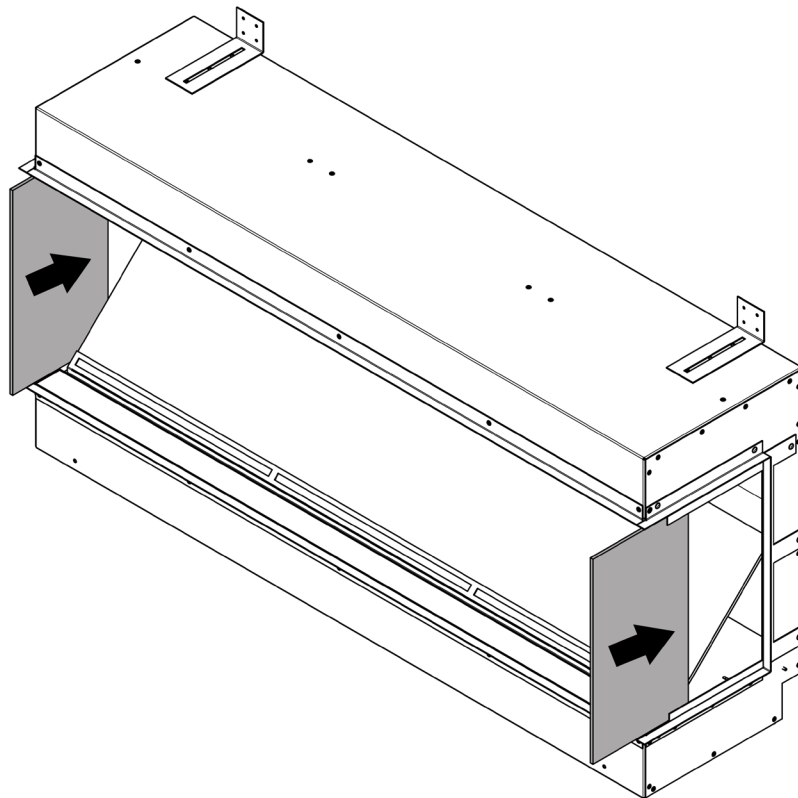
1

Unscrew and remove the top glass retaining bar.



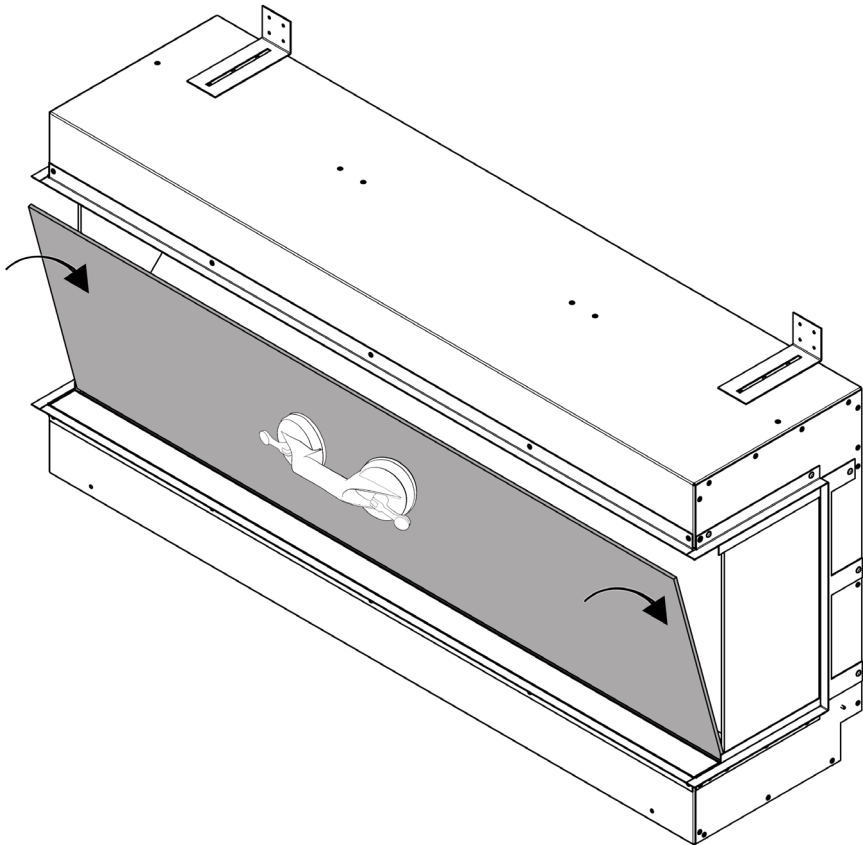
2

Position and slide in the glass panel/s to one or both sides.



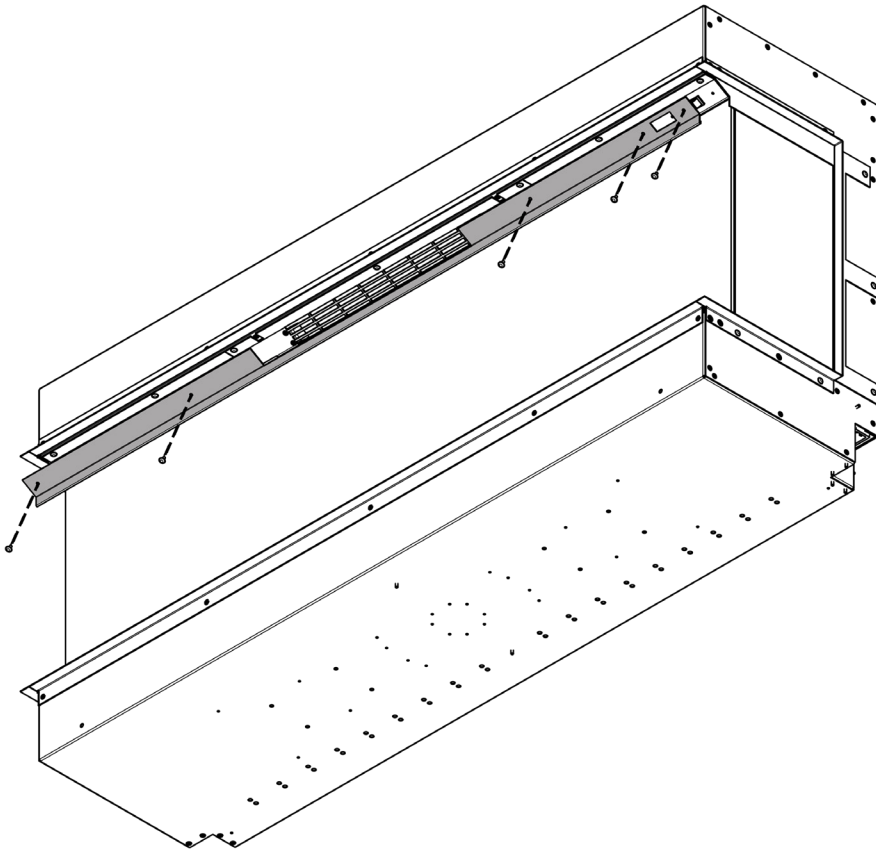
3

Pivot the front glass into the appliance from the bottom edge first.



4

Then replace the top glass retaining bar.



---

# INSTALLING THE GLASS

## Sirus

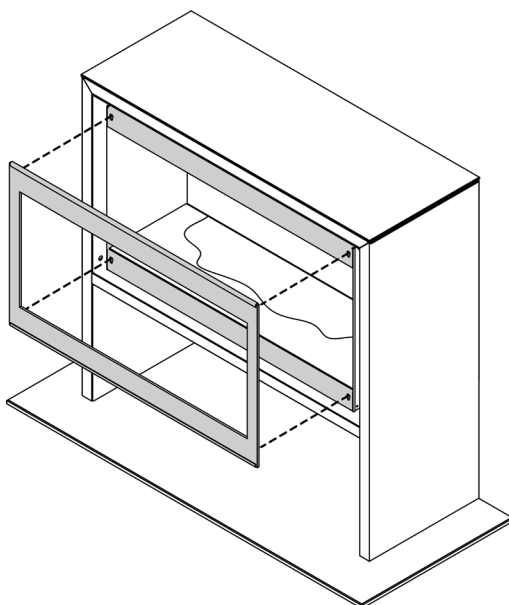
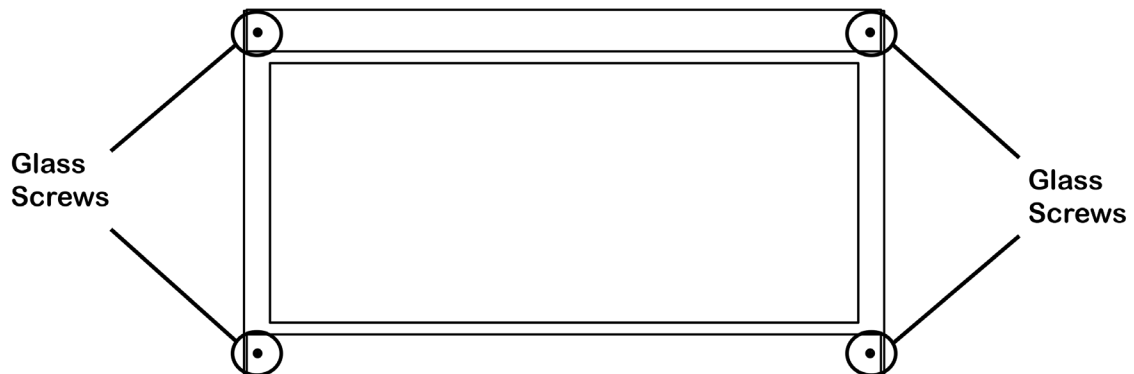
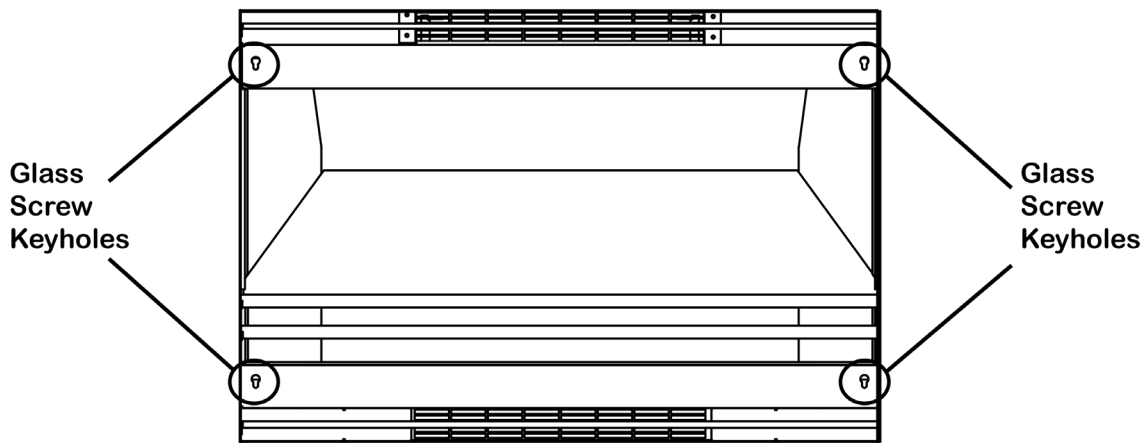
---

## RE-INSTALLING THE INTERIOR GLASS

Replace the interior glass that you removed on page 23 by repeating the steps in reverse, making sure that you're happy with your log layout.

## INSTALLING THE FRONT GLASS

On the front of the appliance you'll see four keyholes, and on the back of the glass you'll see four screws. These four screws line up with the keyholes on the appliance and then drop into place to secure the glass to the appliance.



### Warning

The Suction Lifter is provided to assist in moving the glass **NEVER** as the sole support of the glass. Always support the glass throughout the entire process until the glass is fully fitted. The glass is toughened safety glass and if broken will shatter into many small chunks.

---

# TROUBLESHOOTING WARRANTY & REGISTRATION

---

## TROUBLESHOOTING



If you have any difficulties or problems with your appliance then please get in touch so that we can assist you. Please scan the QR code to be taken to our websites Report a Fault page, we will then be in touch with you shortly.

## WARRANTY

### **Evonic Fires 5-year warranty – 1 year parts & labour + 4 years parts supplied.**

The above warranty terms and conditions, as of **1st May 2022**, are applicable for all relevant products purchased after this date. Appliances despatched prior to this date will have an alternative warranty as set out within the Installation and User Instructions that was supplied with the product, this was usually a standard 2-year warranty.

To receive your Extended Warranty your Evonic Fires product must have been purchased from an authorised stockist within our Retailer Network and your warranty registered with Evonic Fires through the online form - **[evonicfires.co.uk/register-your-product](https://evonicfires.co.uk/register-your-product)**. The commencement date for the warranty period is the date of purchase.

The product must be adequately serviced and maintained. Evonic Fires provide maintenance call outs at a cost, and information on this can be obtained by contacting our head office. Please see your Evonic Installation Instructions for further information on how to service and maintain your appliance.

During your extended warranty period, only parts supplied or authorised by Evonic Fires can be used to repair your fireplace, and these spare parts can be obtained by contacting our service department at **[service@evonicfires.co.uk](mailto:service@evonicfires.co.uk)** or calling **01789 263868**.

Consumable items such as glass, screens, LED's, LED boards, filters and power supplies which are either subject to normal wear and tear or parts that require replacement in connection with normal maintenance are not covered within the extended warranty. These items are covered for the first 12 months.

To make a warranty claim, evidence must be supplied to our service department in the form of pictures, videos, or both. Failure to supply evidence to support your warranty claim may invalidate or delay the claim. Any visit by an Evonic Fires engineer will incur a service charge after the first year. We will not accept or reimburse the cost(s) of any third party who undertakes any work carried out on the product or fits parts, unless we have approved such work in advance of it being carried out.

## WARRANTY EXCLUSIONS AND LIMITATIONS

### **The Evonic Extended Warranty does not cover:**

1. Damage resulting from installation and usage where the appliance has not been installed or used in accordance with the CK Fires Ltd installation and operation instructions, or if the installation does not conform to local building, fire, and safety regulations.
2. Issues with mains/spur connections of power supply.
3. Damage resulting from the product not being adequately maintained. (Please see your CK Fires Ltd Installation and Operating Instructions for further information on how to service and maintain your appliance).
4. Damage caused by unauthorised modifications, use or repair.
5. Damage or defects caused by the product being stored in a damp, unheated environment.
6. Consequential loss (to the extent permitted by the law) relating to other associated products that have not been supplied by CK Fires Ltd.
7. Consequential loss (to the extent permitted by law) related to decorations, furnishings, or other household assets.
8. Removal and re-installation costs.



## WARRANTY EXCLUSIONS AND LIMITATIONS

Repaired or replaced products are covered only for the remainder of the original warranty period. In the event of a claim being made, this must be reported to your retailer or CK Fires Ltd within 14 days of the fault occurring/being noticed. In the event of a product fault occurring during the warranty period years 2-5, CK Fires Ltd will send the appropriate component or goods necessary to rectify the fault, free of charge.

Nothing in the Extended Warranty shall make CK Fires Ltd liable for any or special, incidental, or consequential damages, injury to persons or property, or any other consequential loss beyond the consumer's statutory rights. The liability on these issues is covered by our Terms and Conditions of Sale.

CK Fires Ltd total liability extends only to the purchase price paid for the goods, except where such a limitation is prohibited by statute. CK Fires Ltd, in the event of a warranty claim, reserves the right either to replace the goods in question or to refund the purchase price of the goods. For product sold outside the UK and Ireland, UK law will prevail. The Evonic Fires Extended Warranty does not affect your statutory rights.

### CK Fires Ltd / Evonic Fires

1, Evonic House, Clifford Park, Clifford Lane,  
Stratford-on-Avon, CV37 8HW

Tel: +44 (0)1789 263868 Fax: +44 (0)1789 293080

Email: [sales@evonicfires.co.uk](mailto:sales@evonicfires.co.uk)

[www.evonicfires.co.uk](http://www.evonicfires.co.uk)

Follow us on:

Instagram | Facebook | Twitter | LinkedIn  
[@evonicfires](#)