

evonicfires



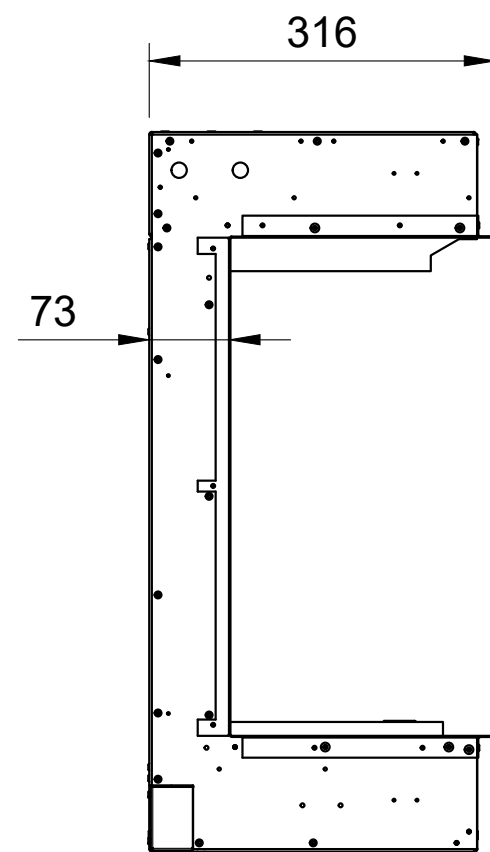
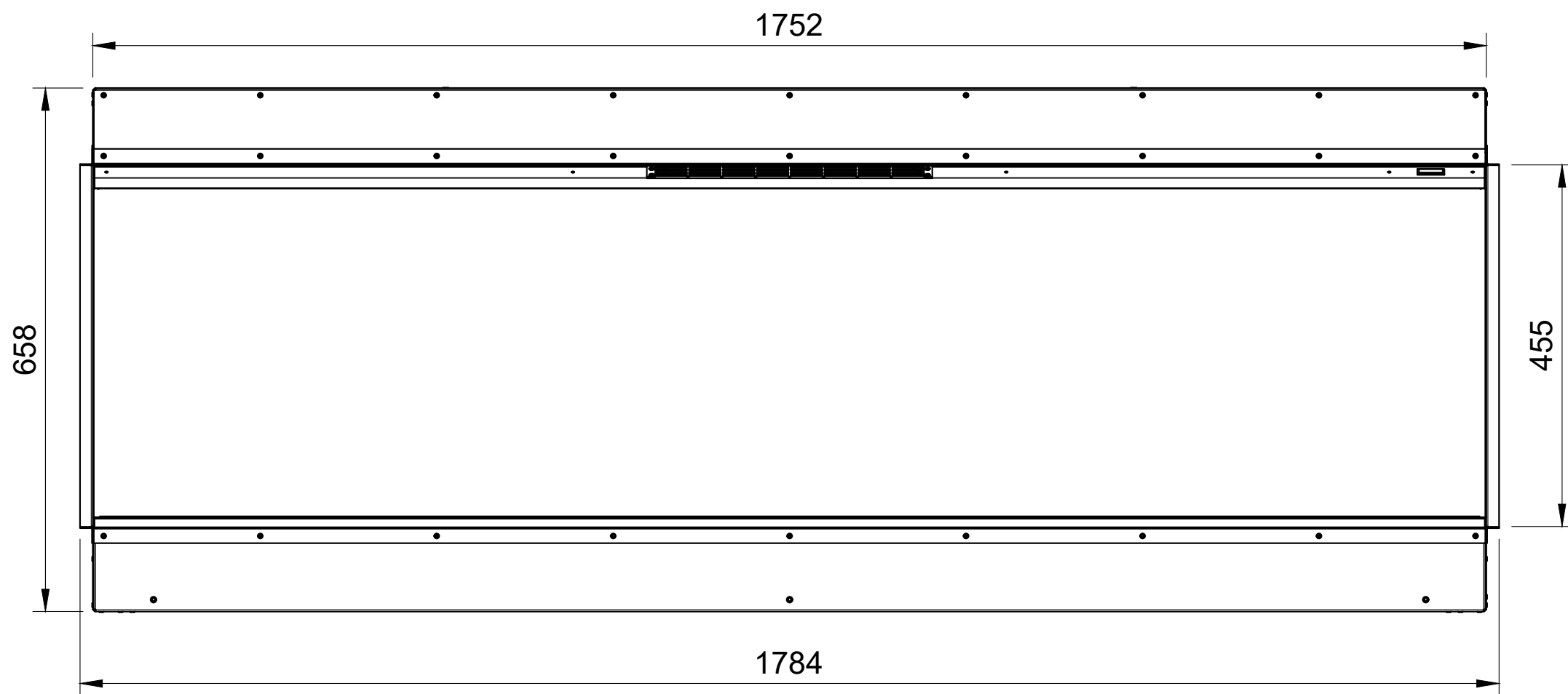
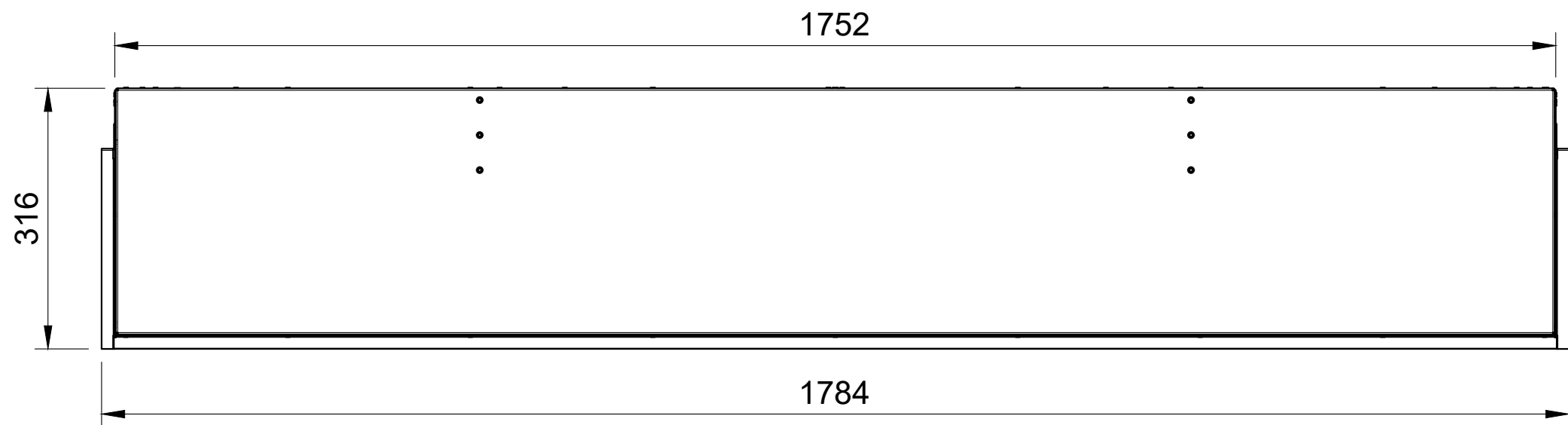
Built-Ins specification booklet

Contents

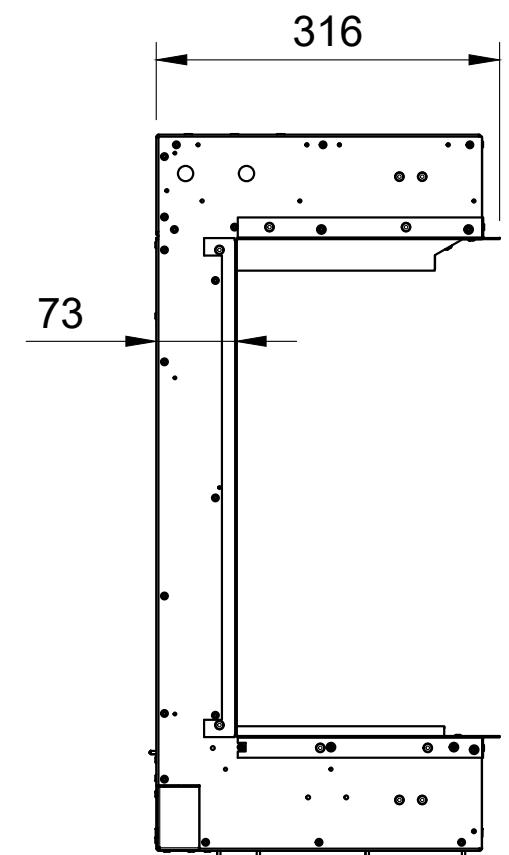
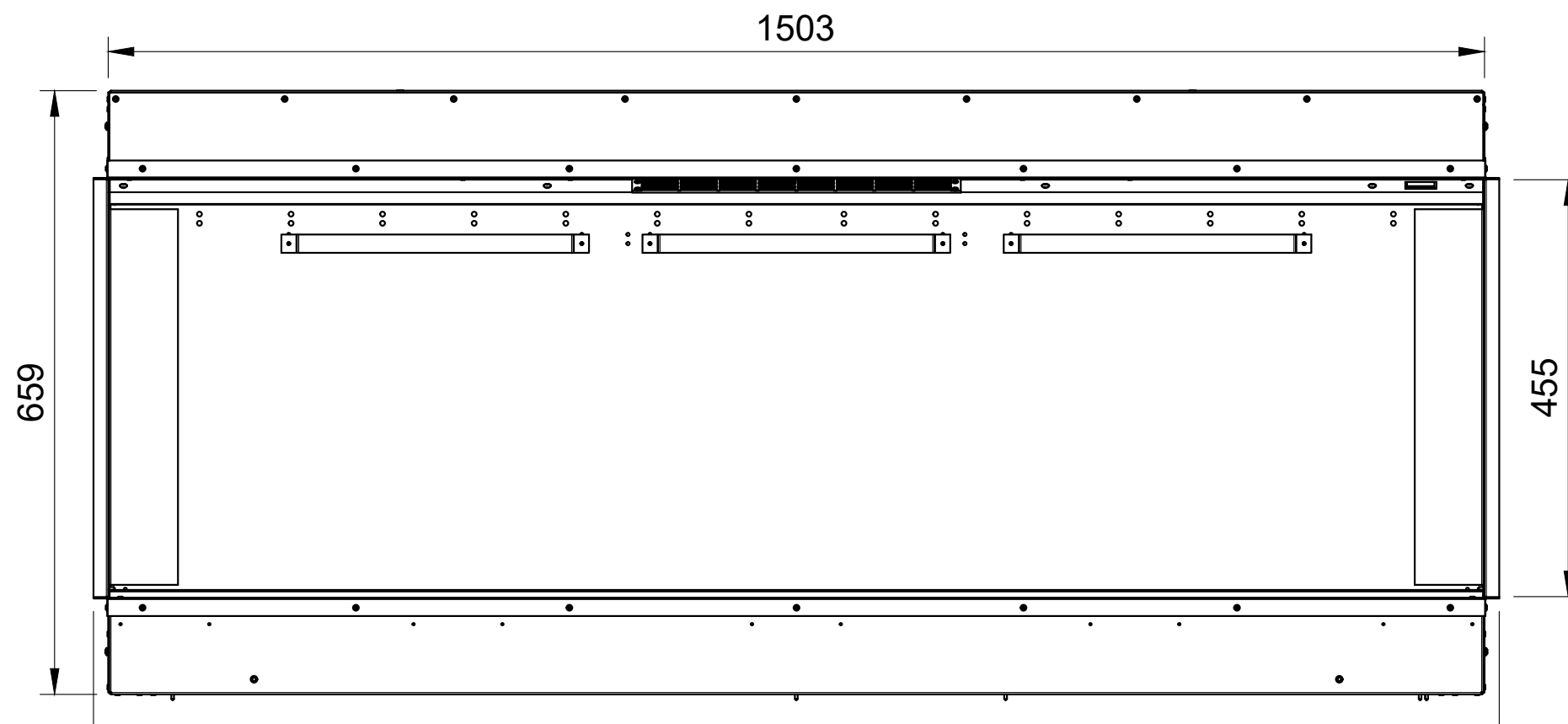
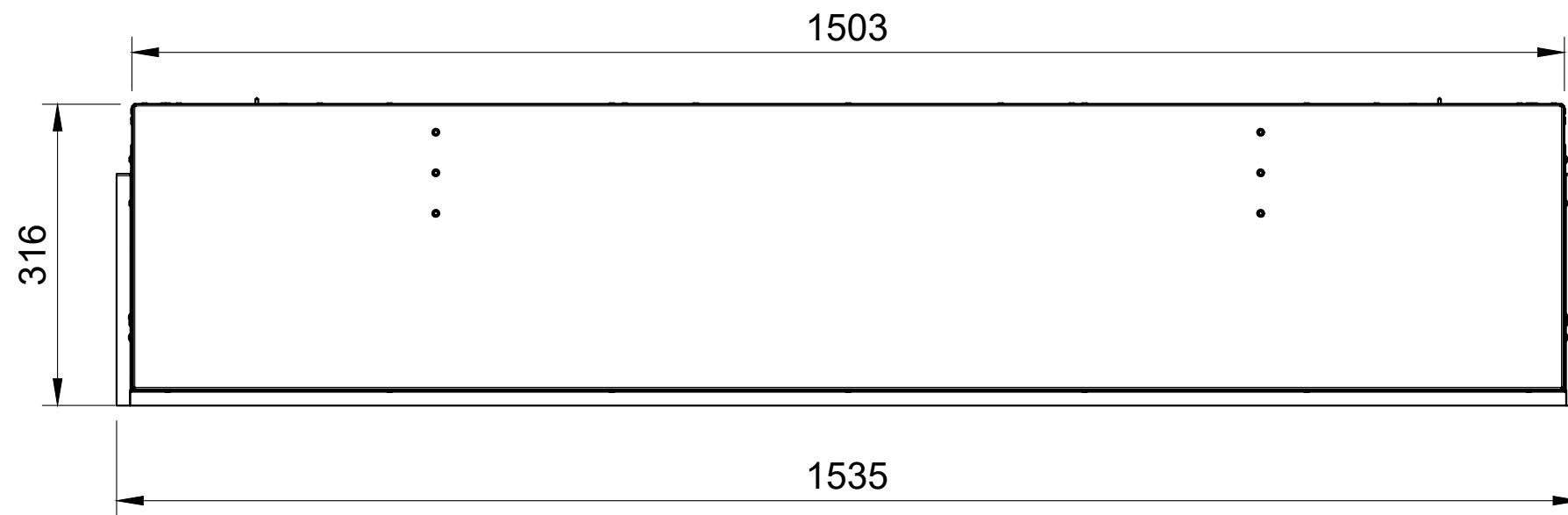
Halo 1800 XT	3
Halo 1500 XT	4
Halo 1250 XT	5
Halo 2400	6
Halo 1800/e1800	7
LHalo 1500/e1500	8
Halo 1030/e1030	9
Halo 1030 DS	10
Halo 800/e800T	11
Halo 1250/e1250	12
Halo 650	13
Halo 750	14
Halo 1500 SL	15
Halo 1250 SL	16
Halo 1000 SL	17
Halo 700 SL	18
Halo 600 SL	19
Halo 810 DS	20
Halo 500	21



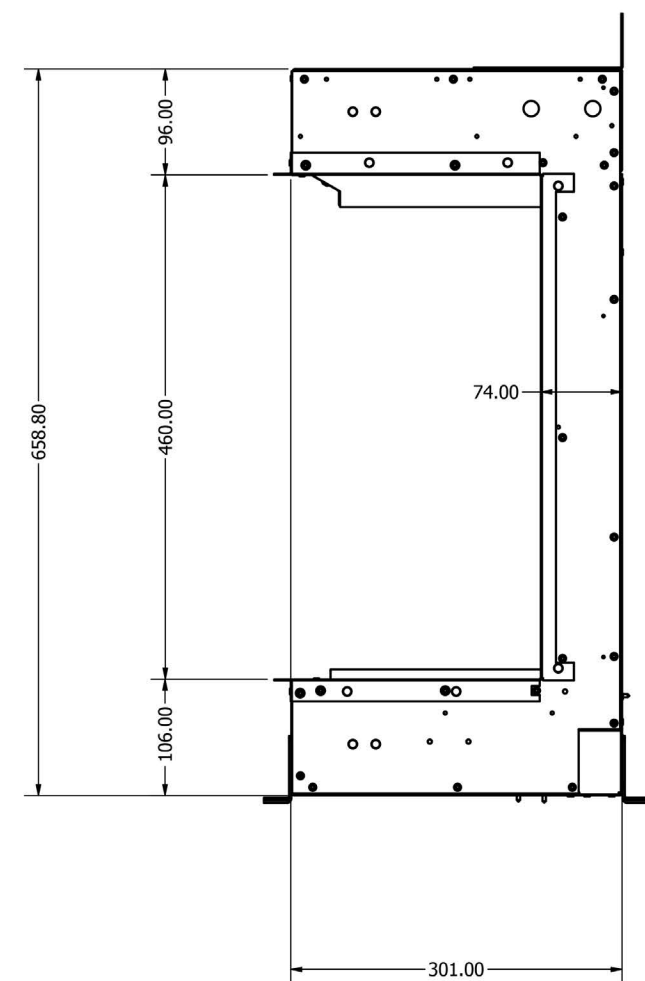
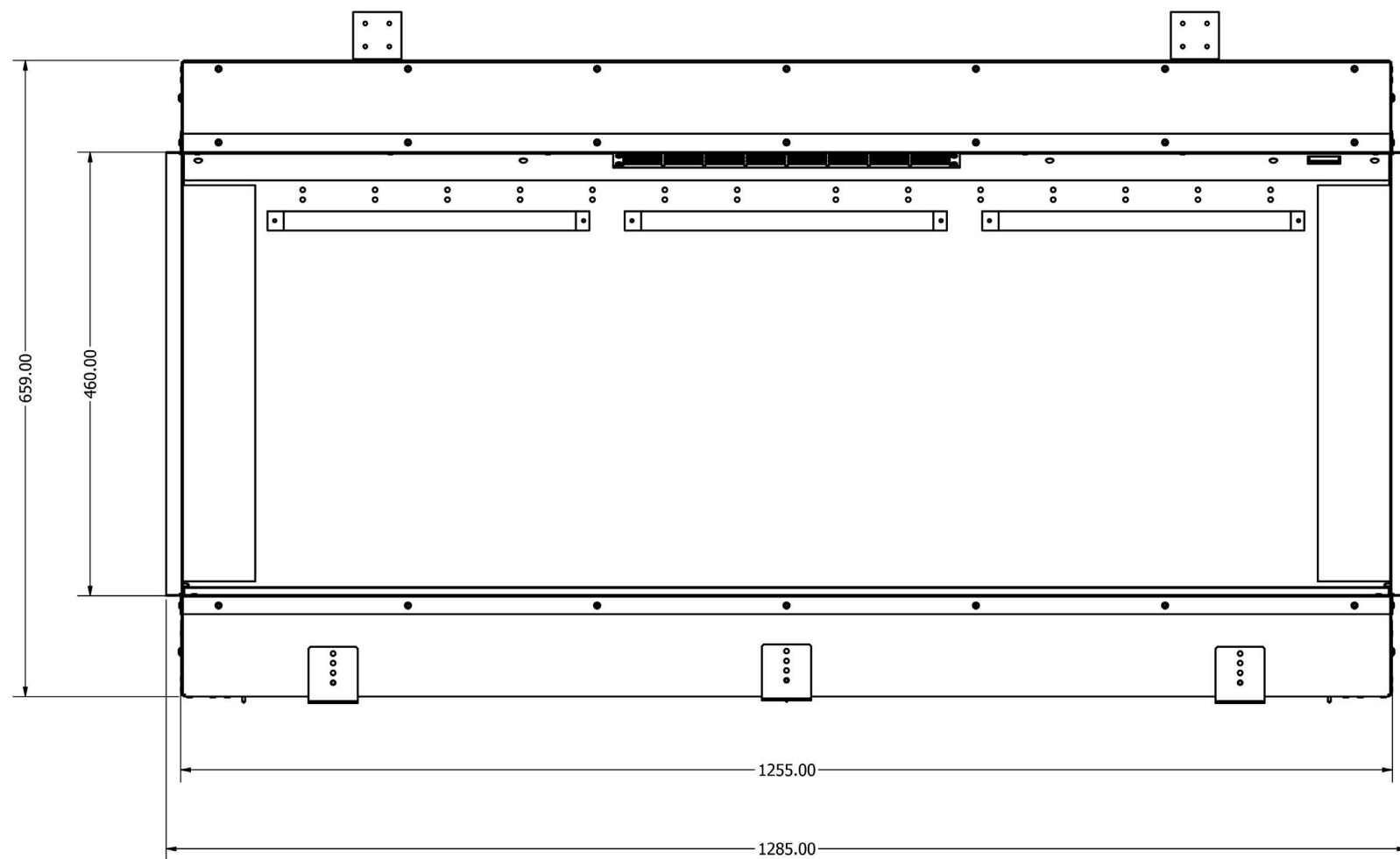
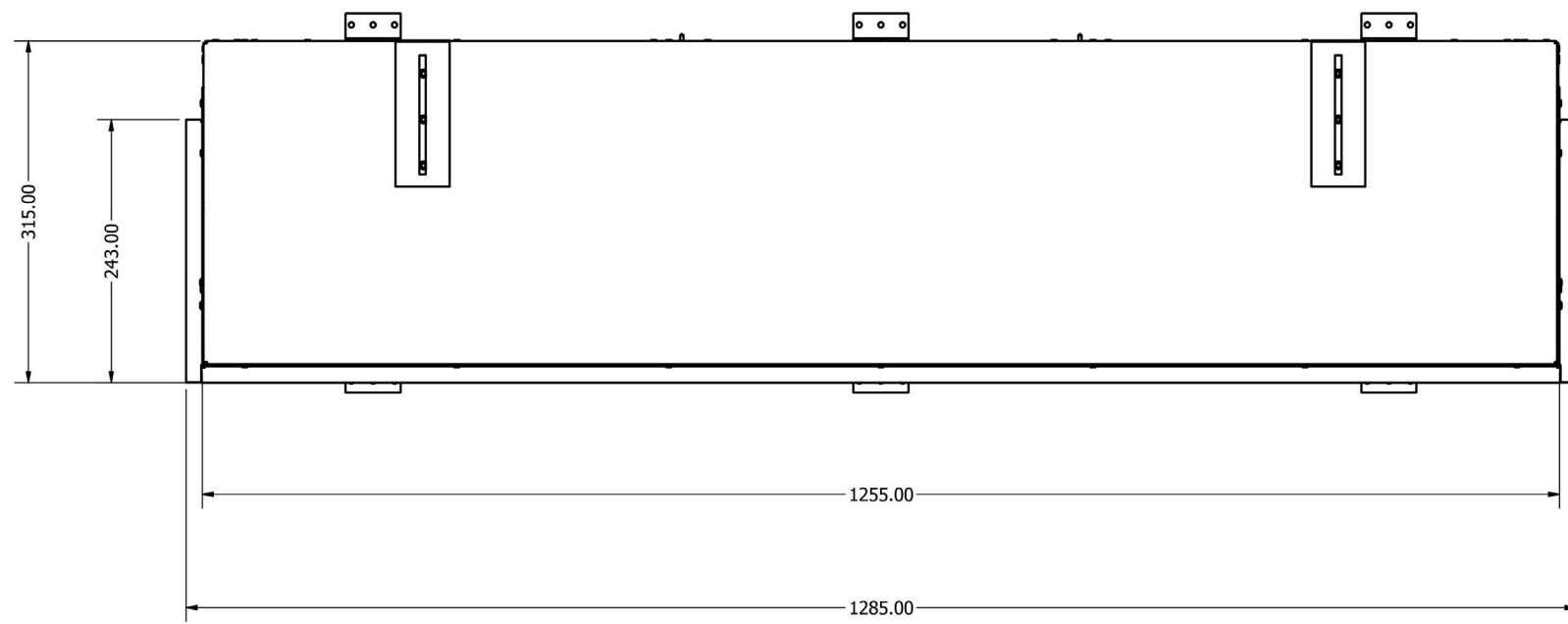
Halo 1800 XT



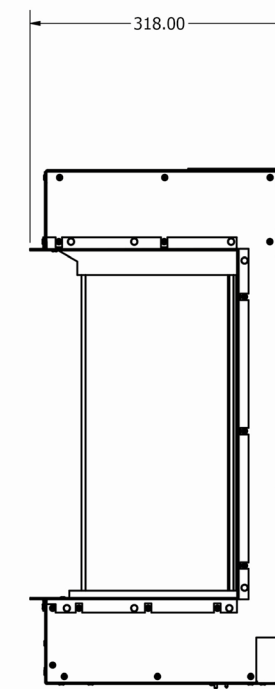
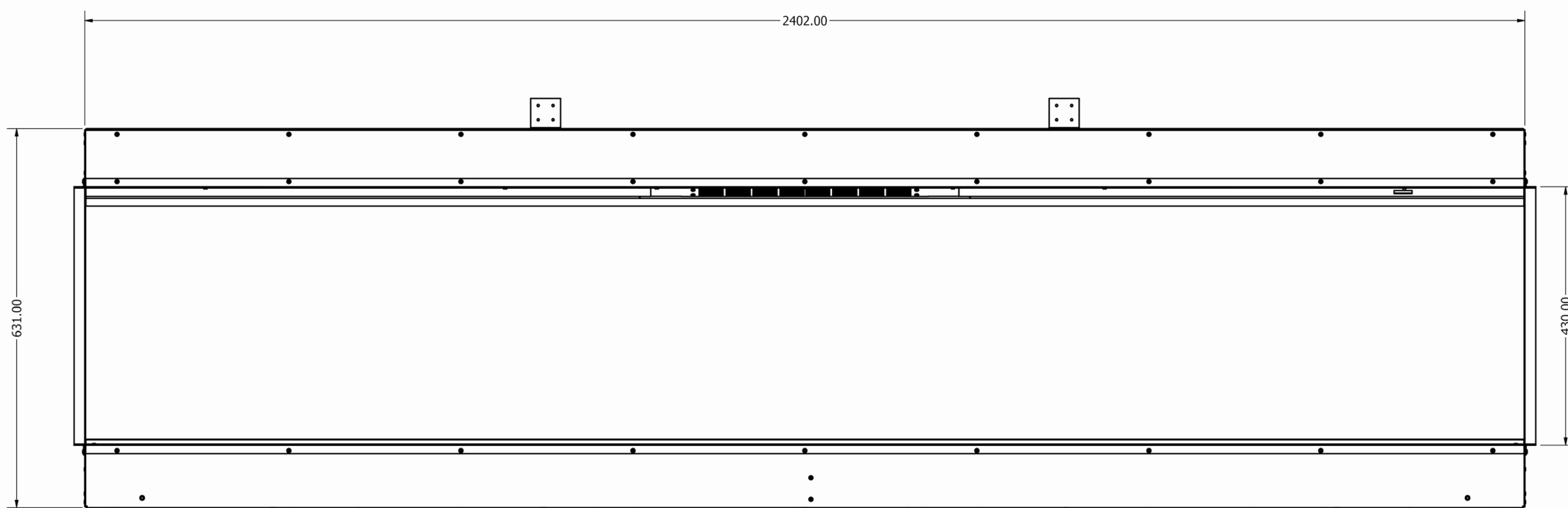
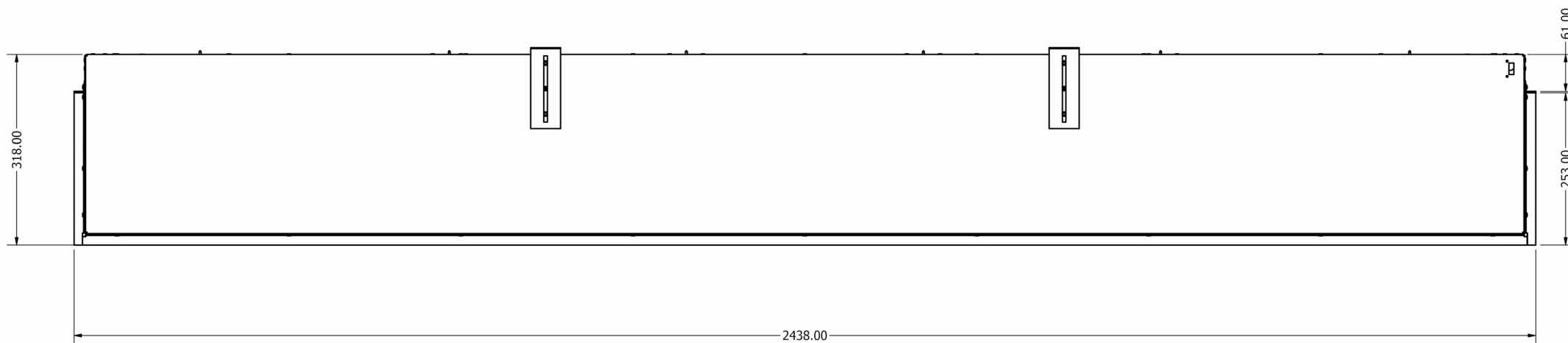
Halo 1500 XT



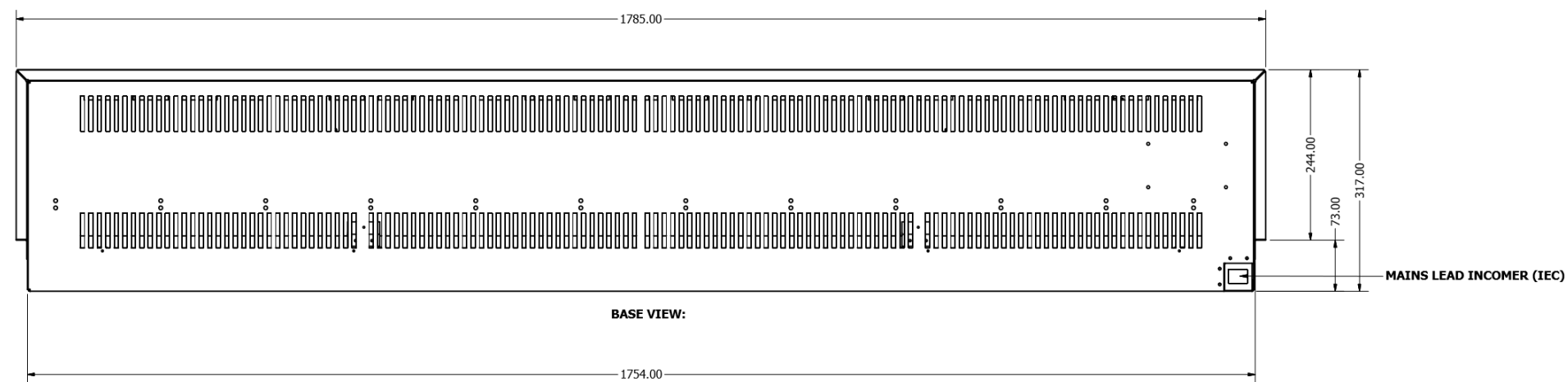
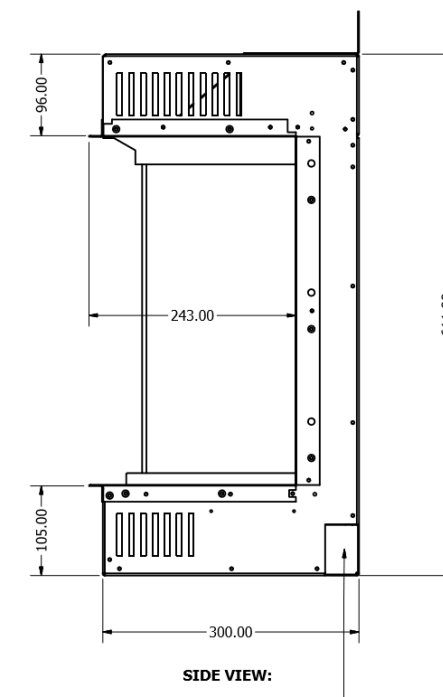
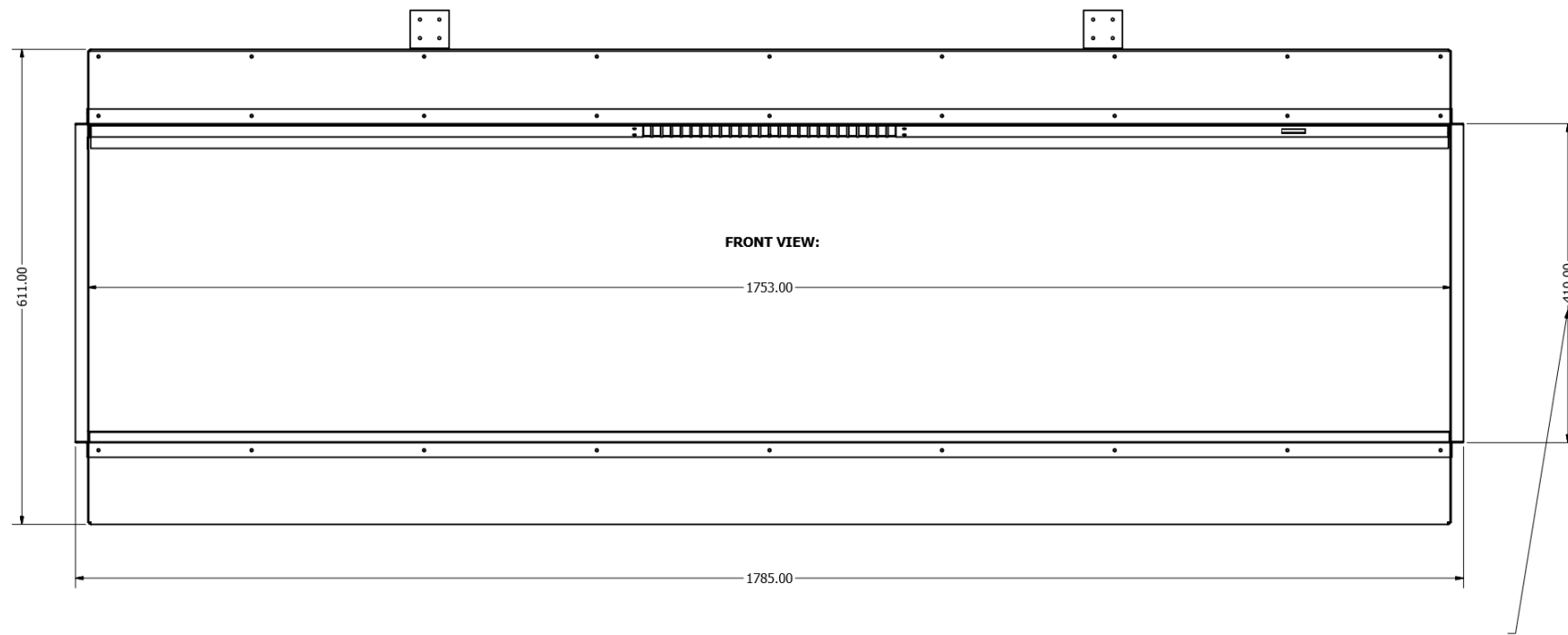
Halo 1250 XT



Halo 2400



Halo 1800/E1800

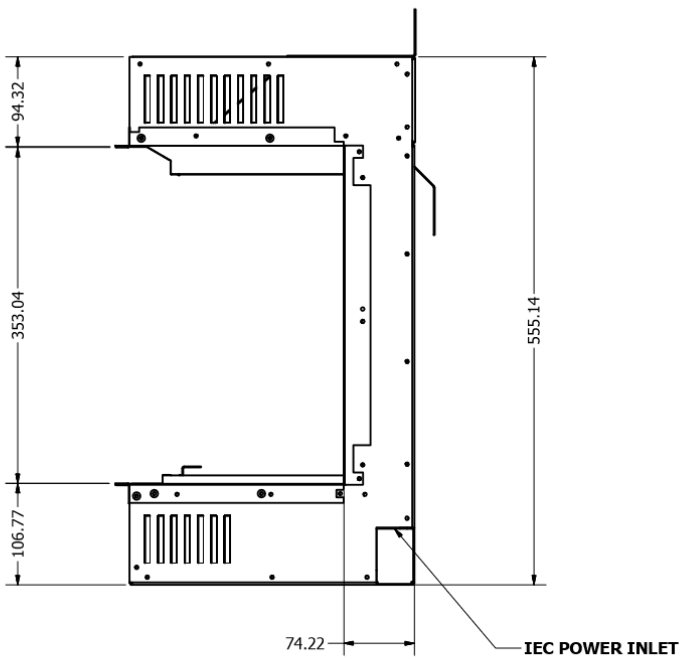
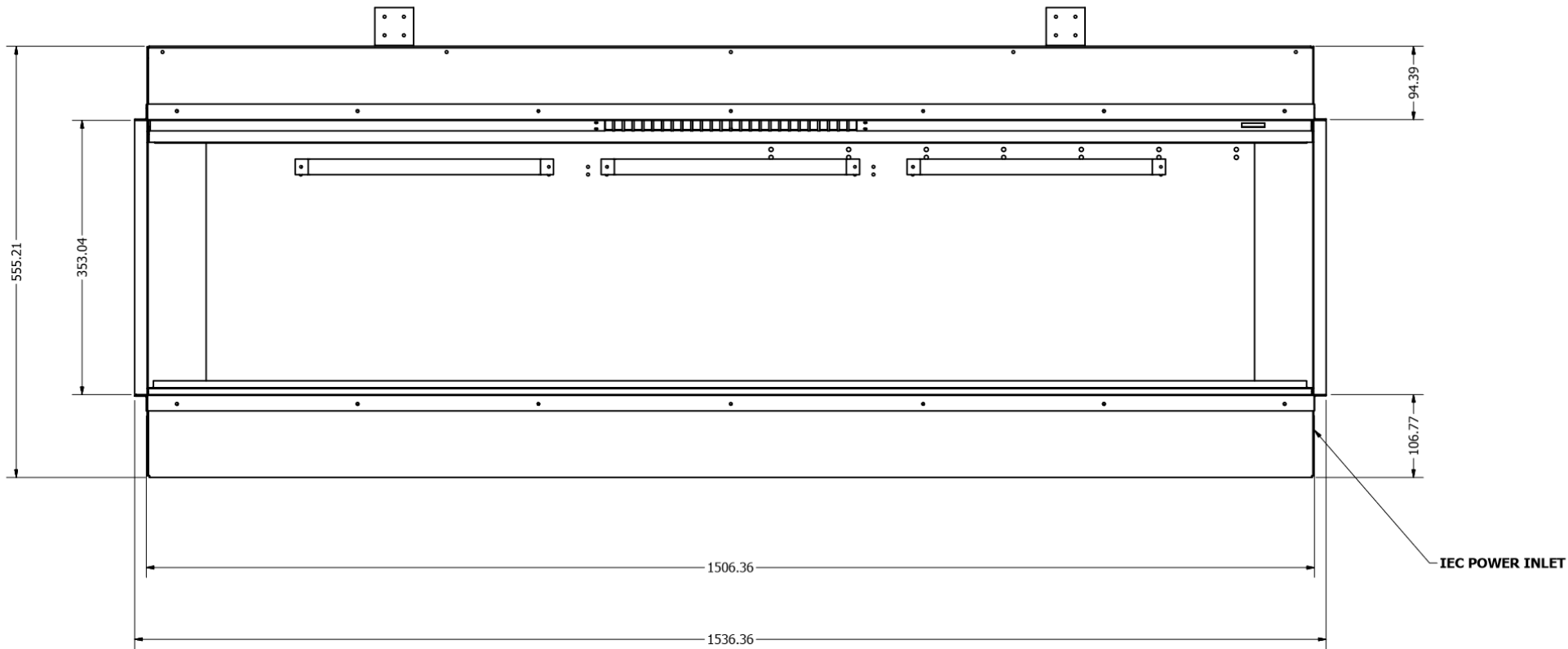
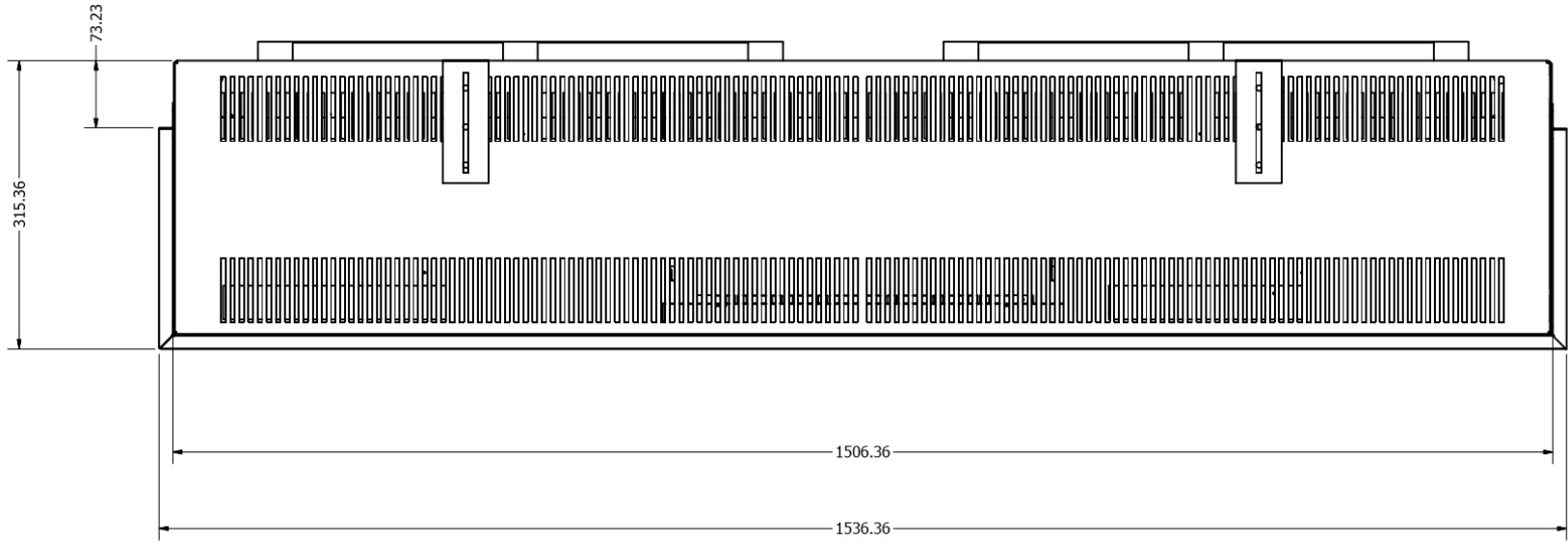


MAINS LEAD INCOMER (IEC)

Halo 1500/E1500

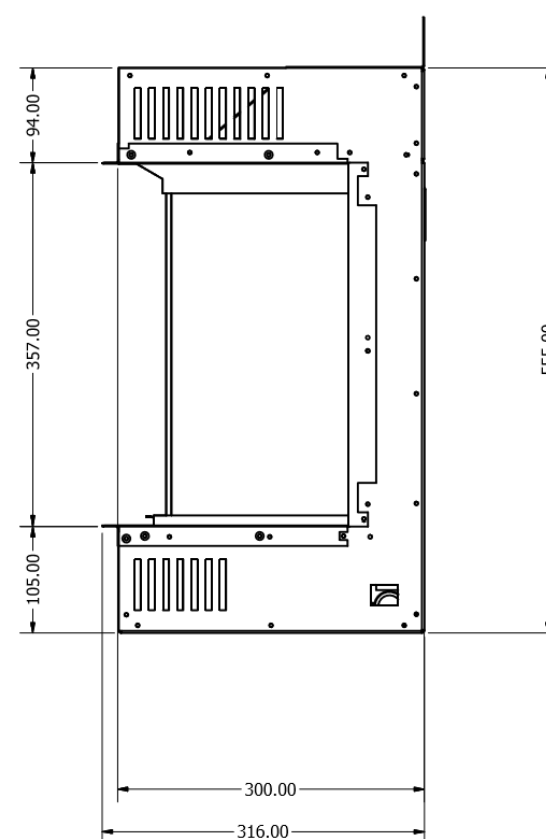
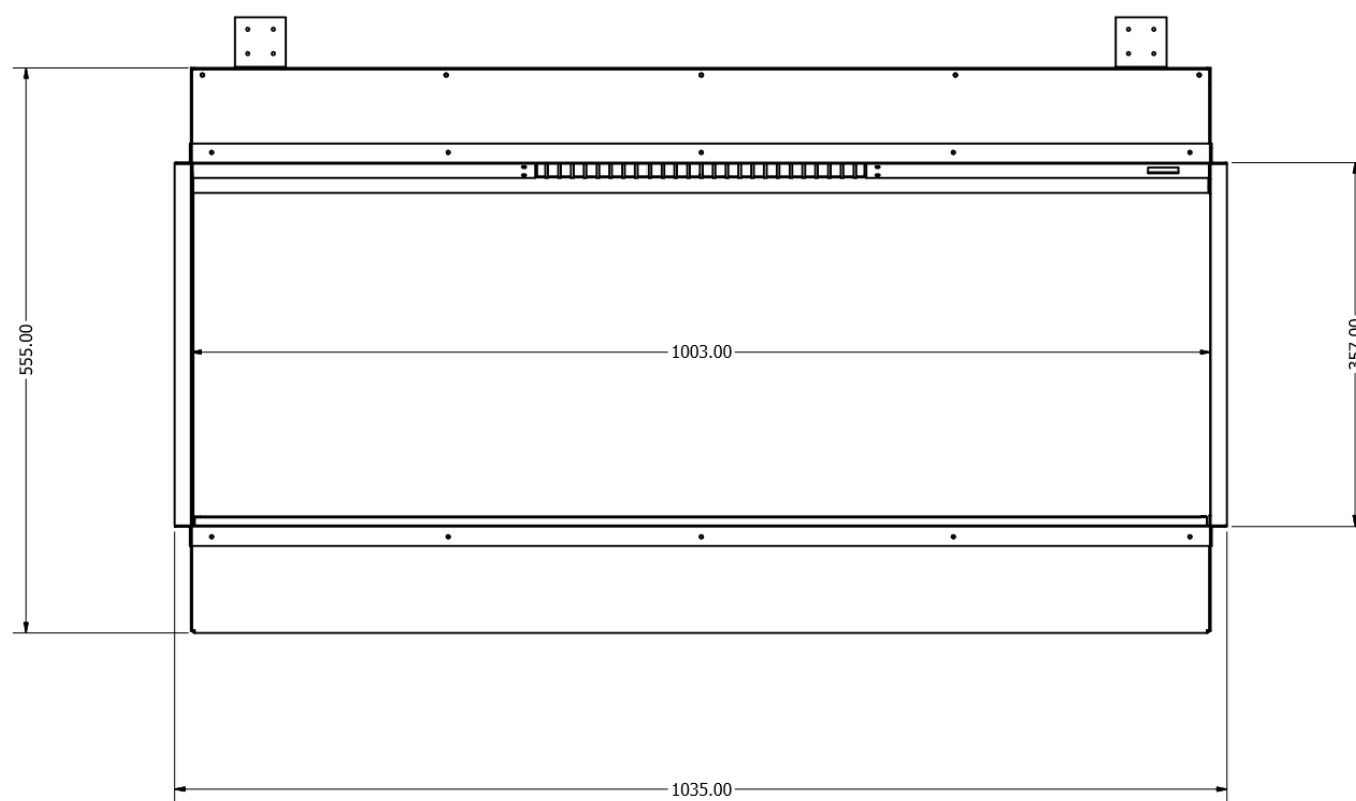
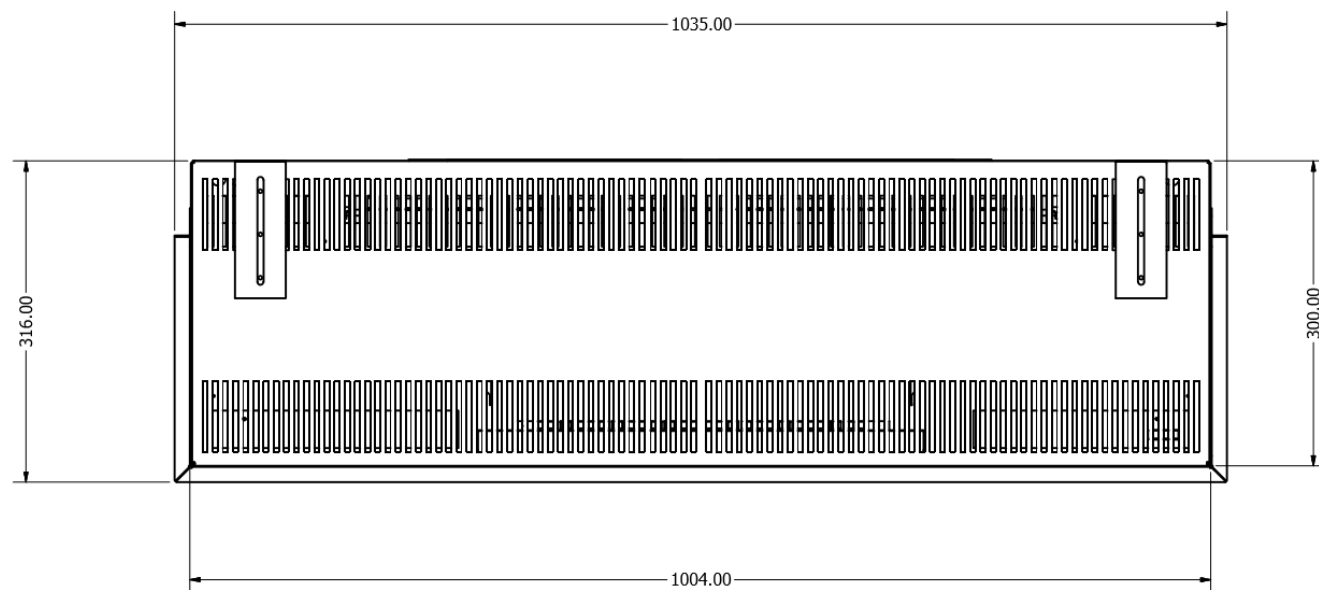
LINNEA WITH TILE WING

WIDTH - 1914mm

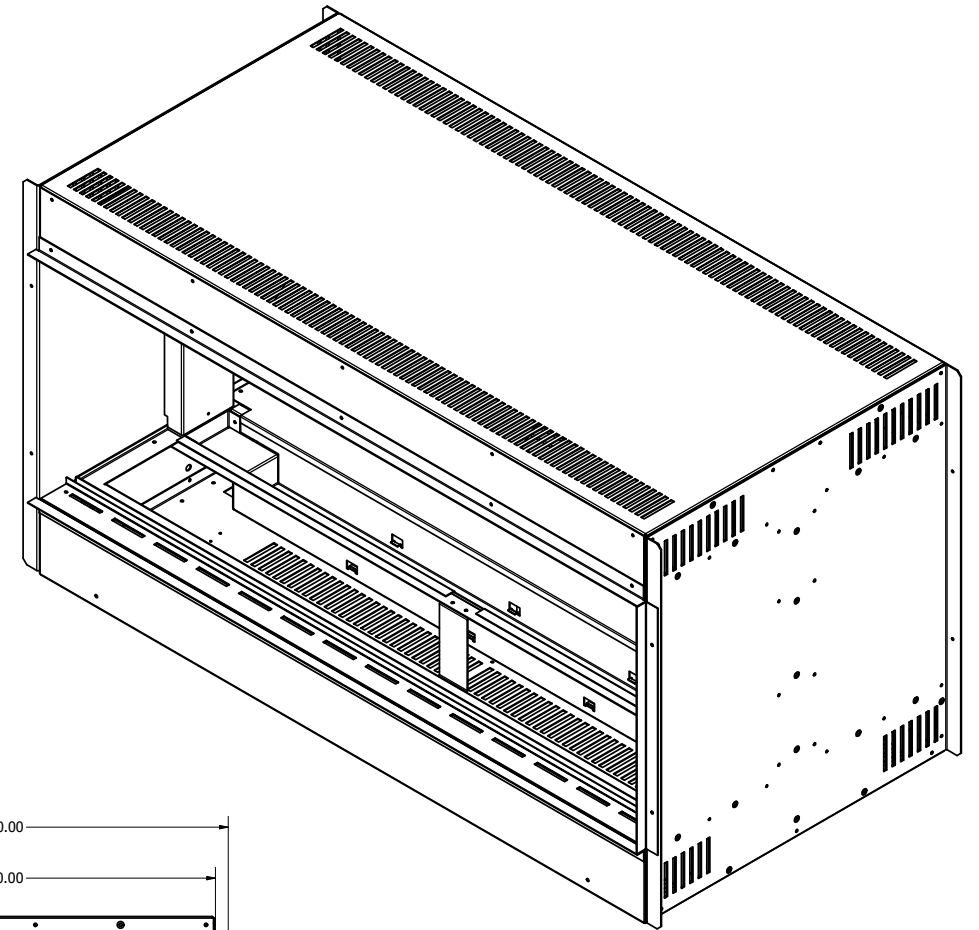
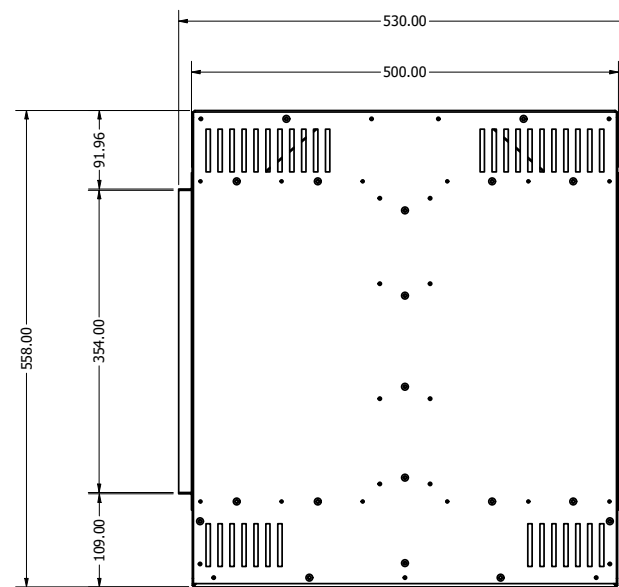
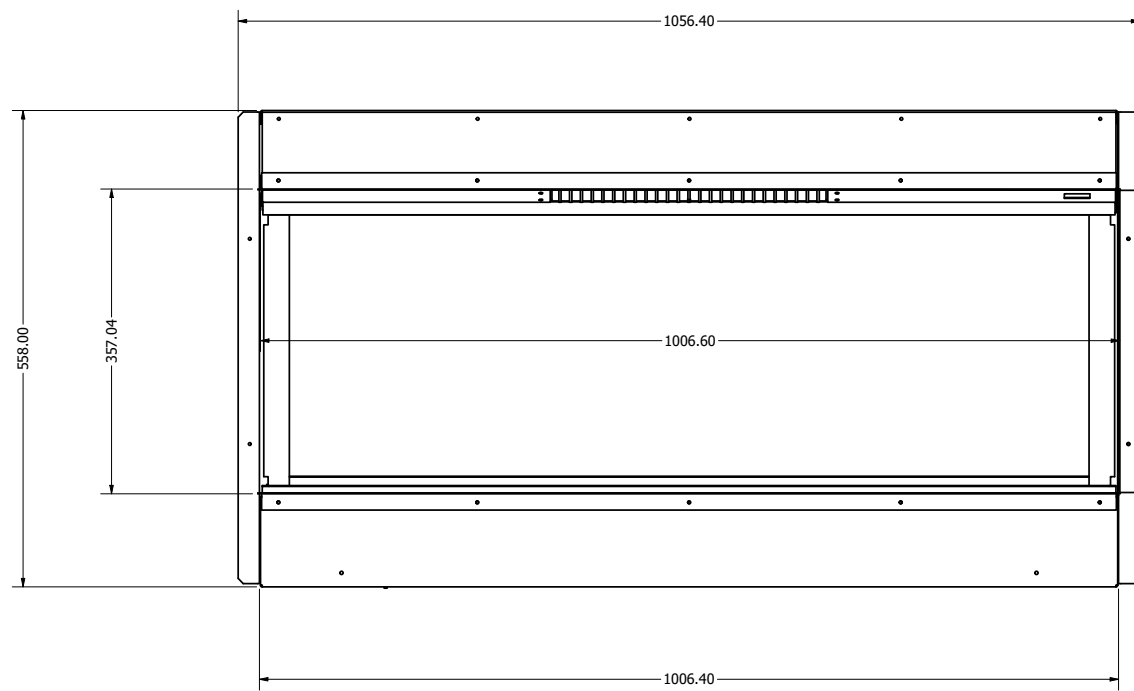
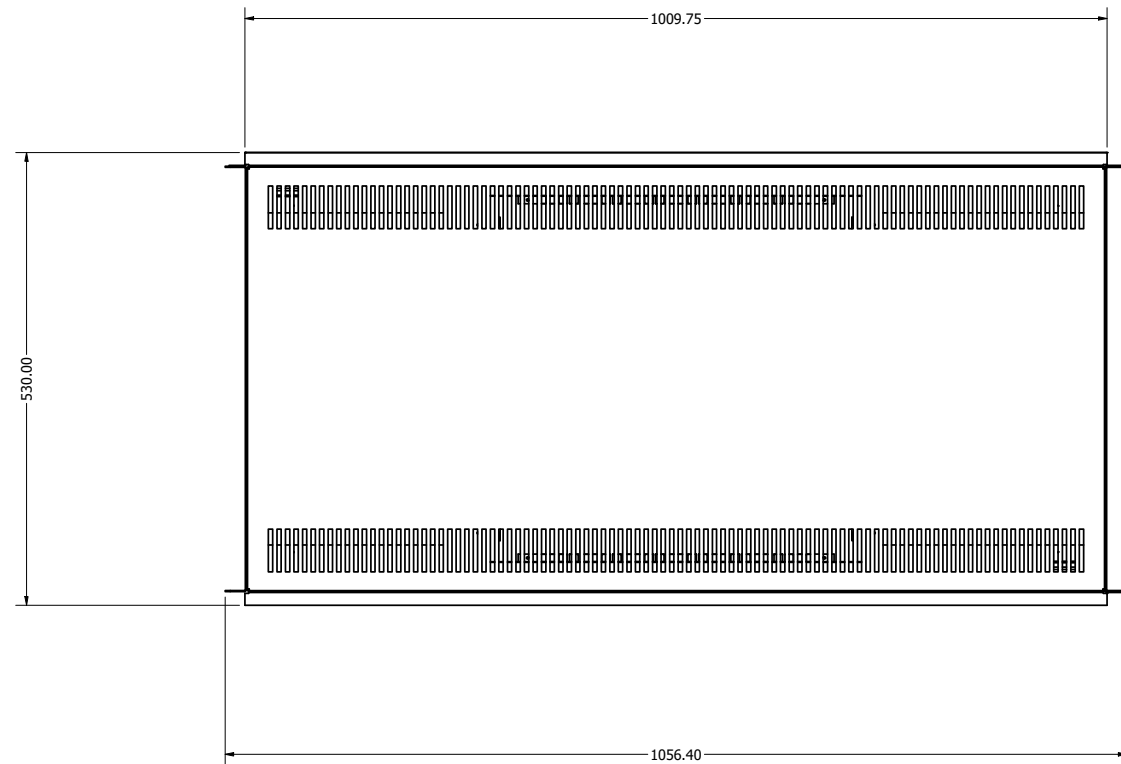


Halo 1030/E1030

KIRUNA WITH TILE WING
WIDTH - 1418mm
HEIGHT - 570mm



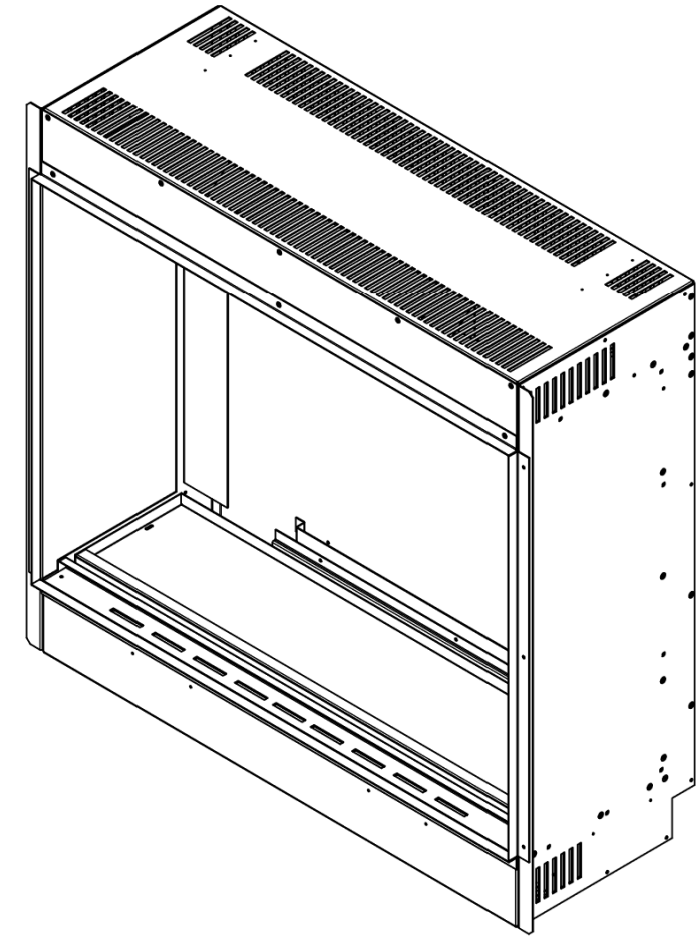
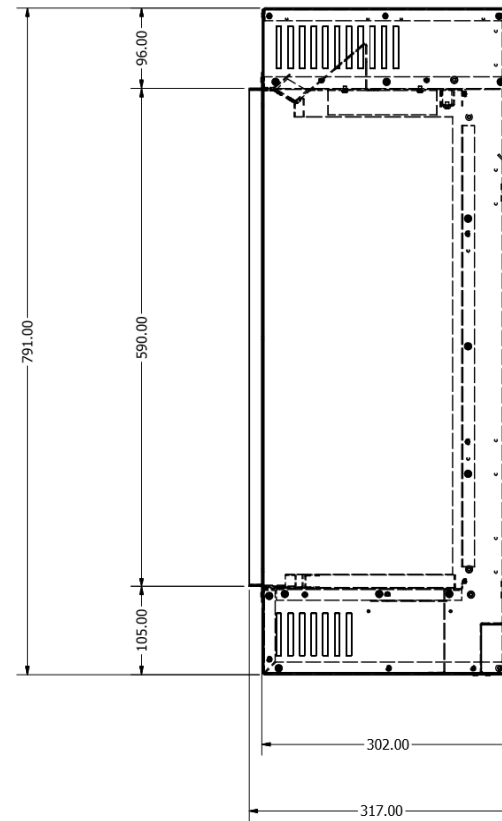
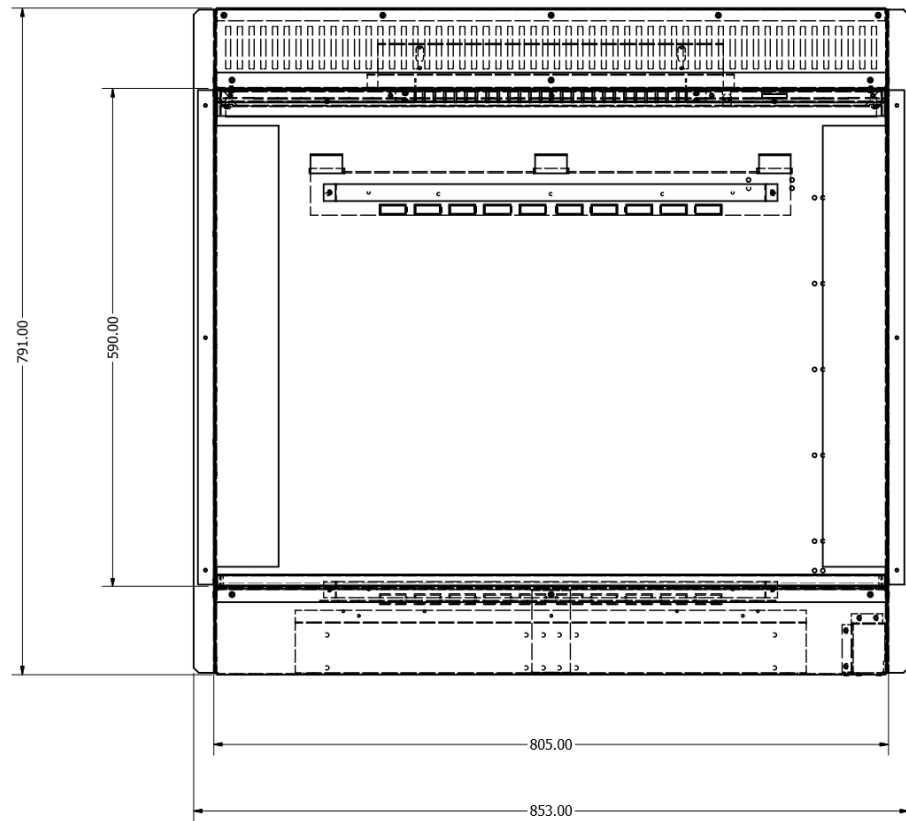
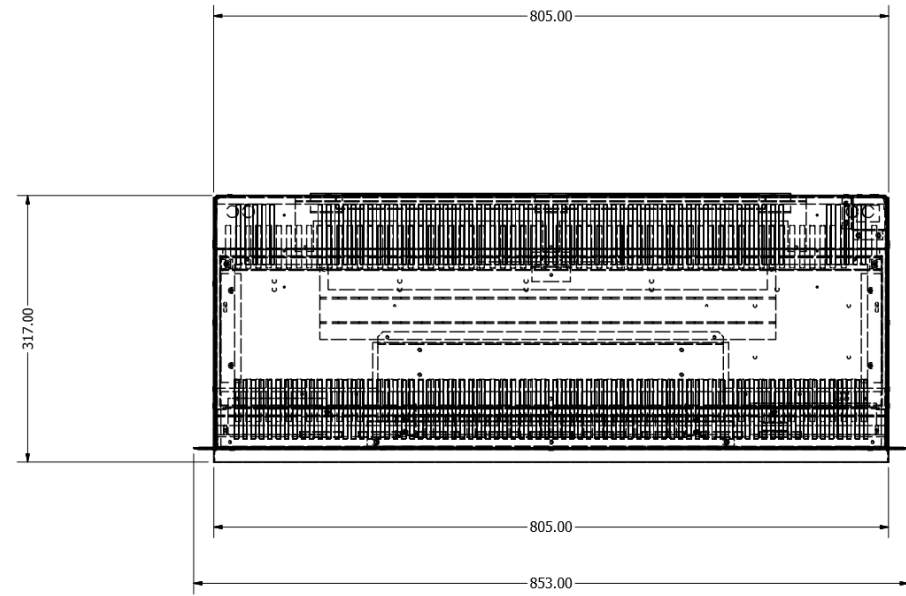
Halo 1030 DS



Halo 800/E800T

TYRELL WITH TILE WING

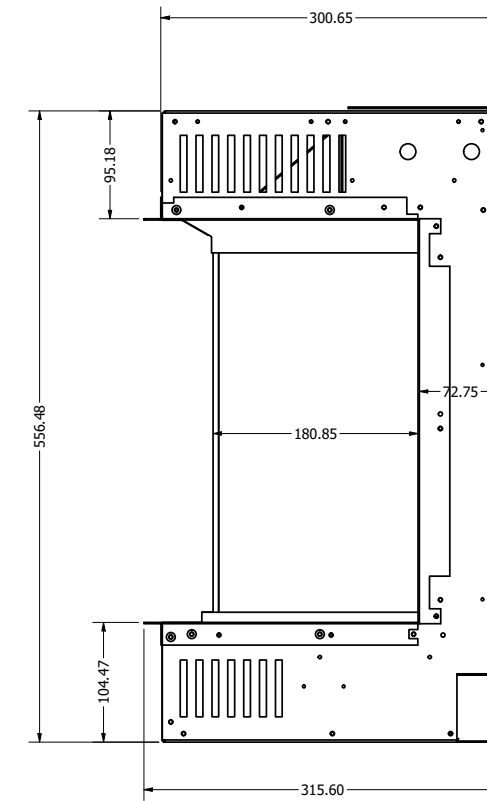
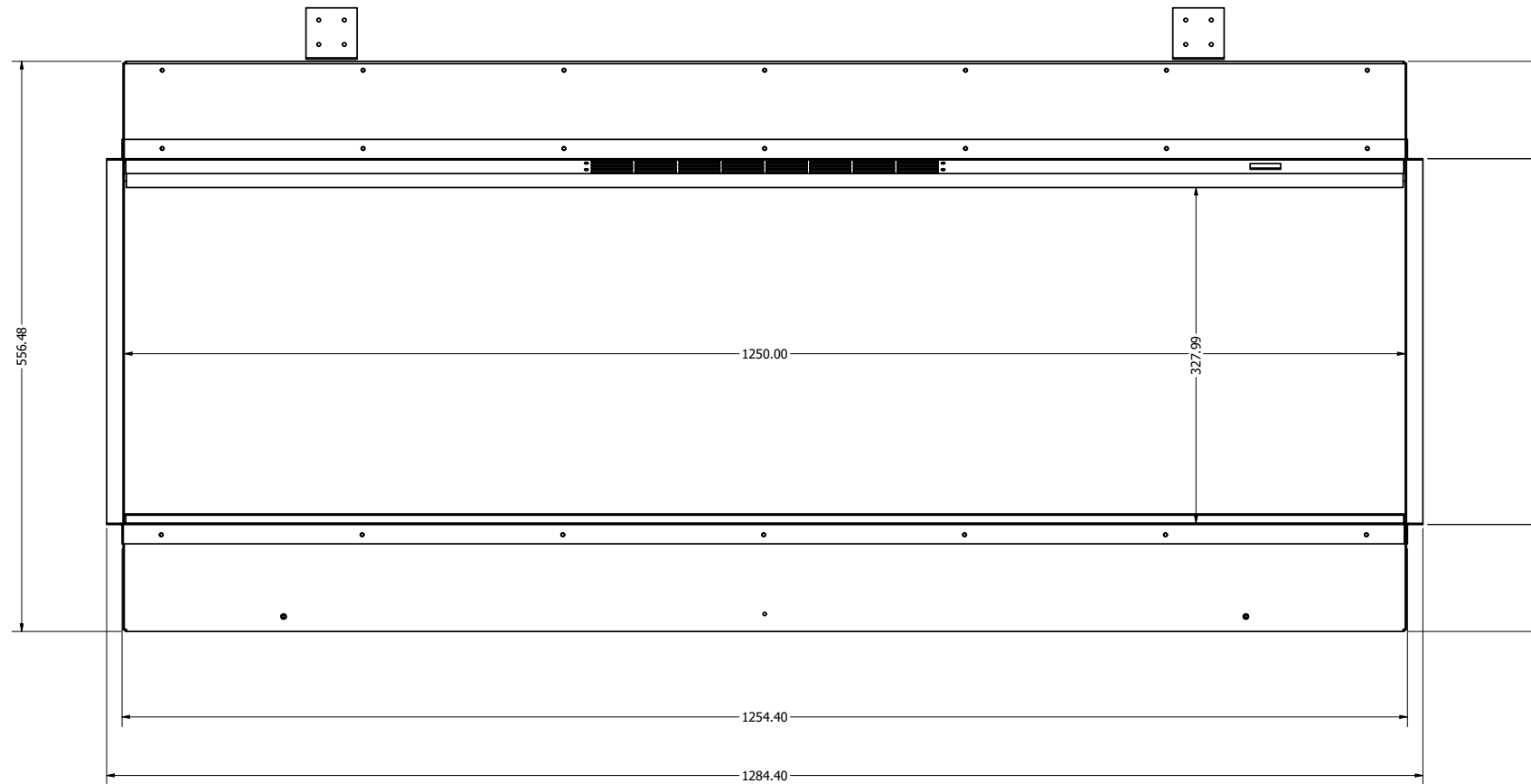
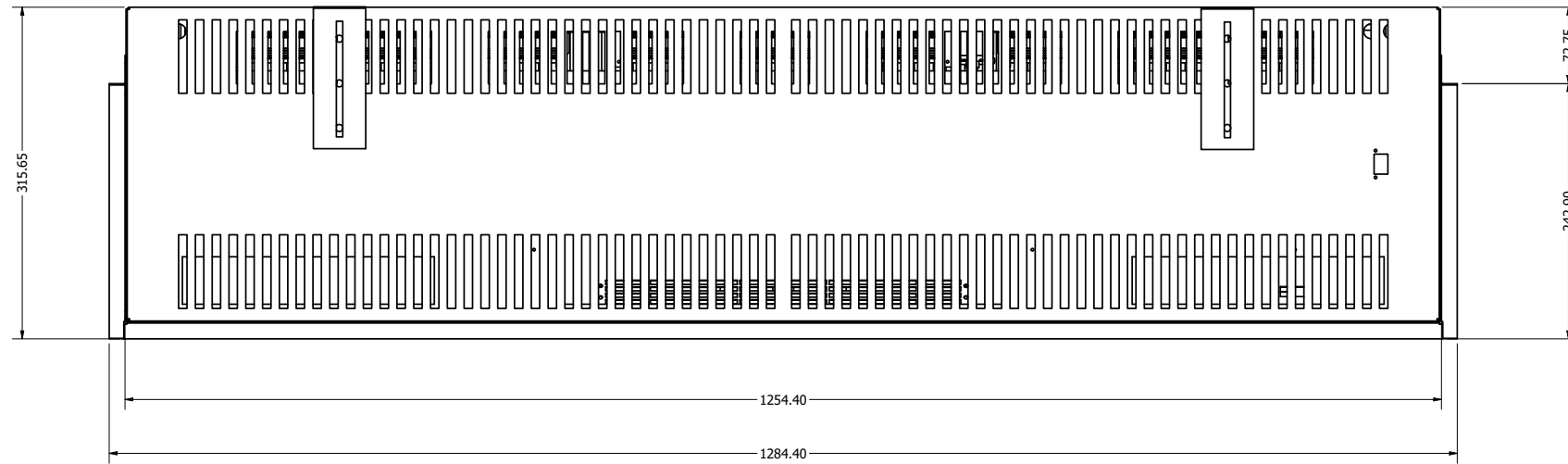
WIDTH - 1188mm



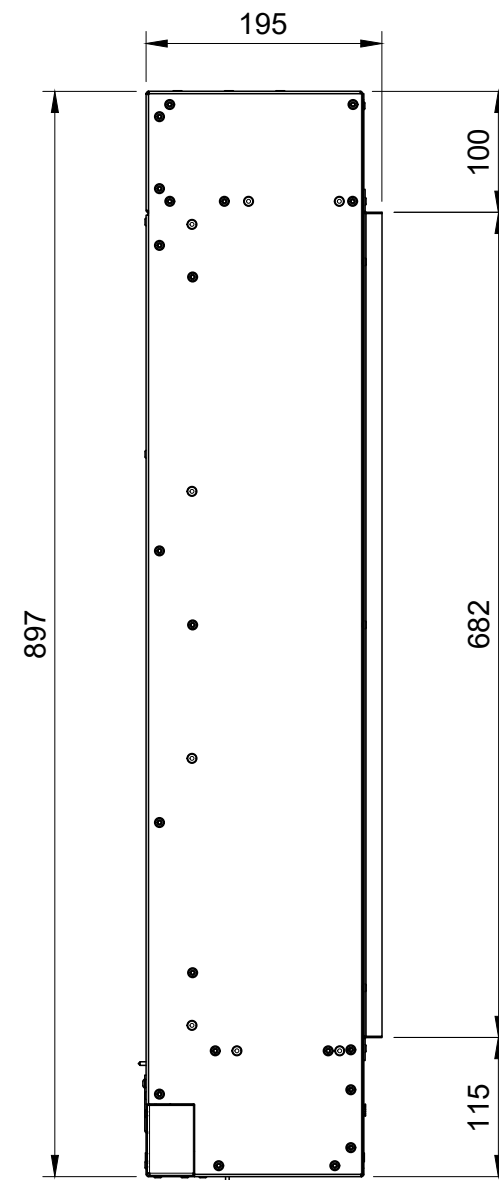
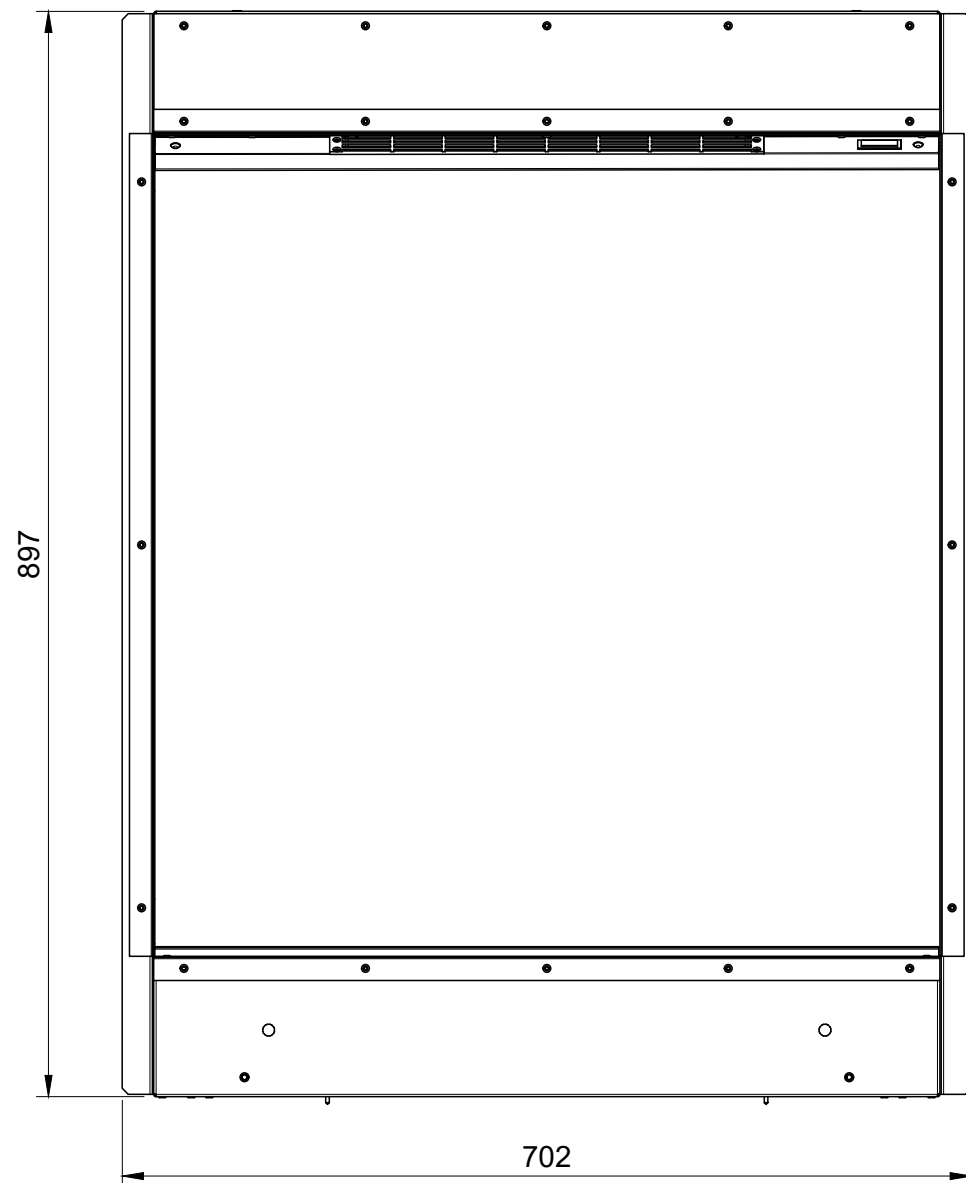
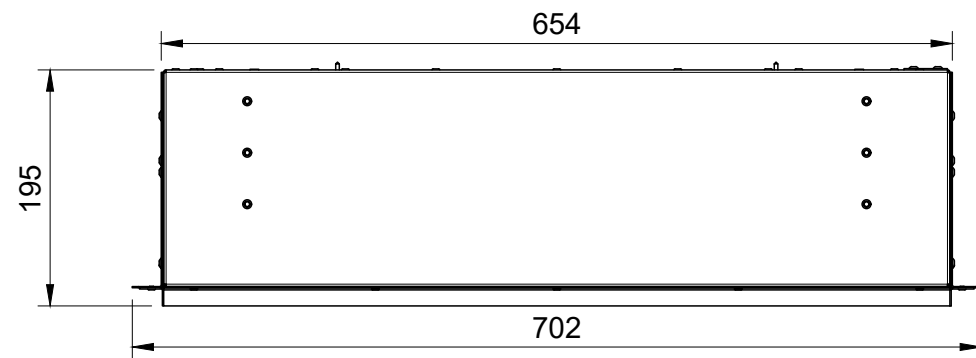
Halo 1250/E1250

MOTALA WITH TILE WING

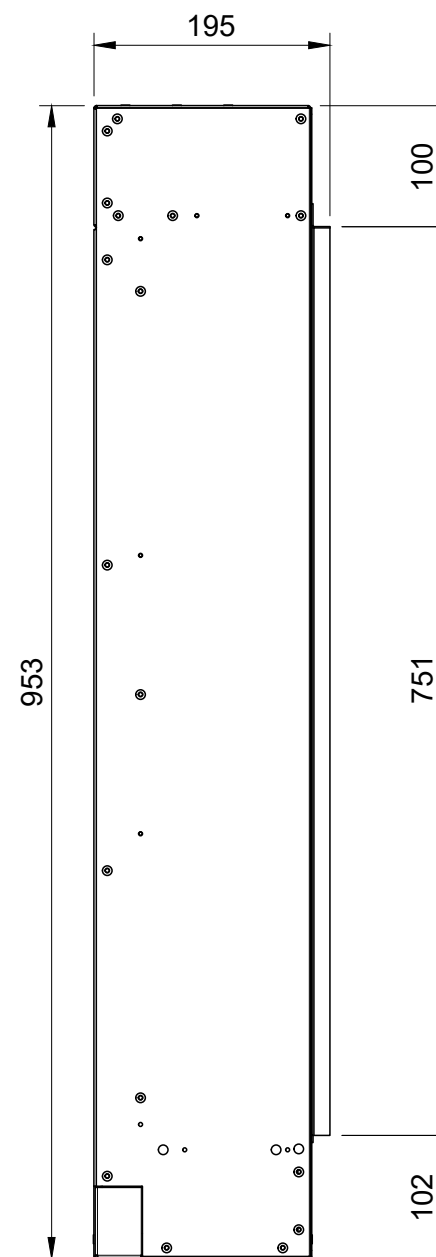
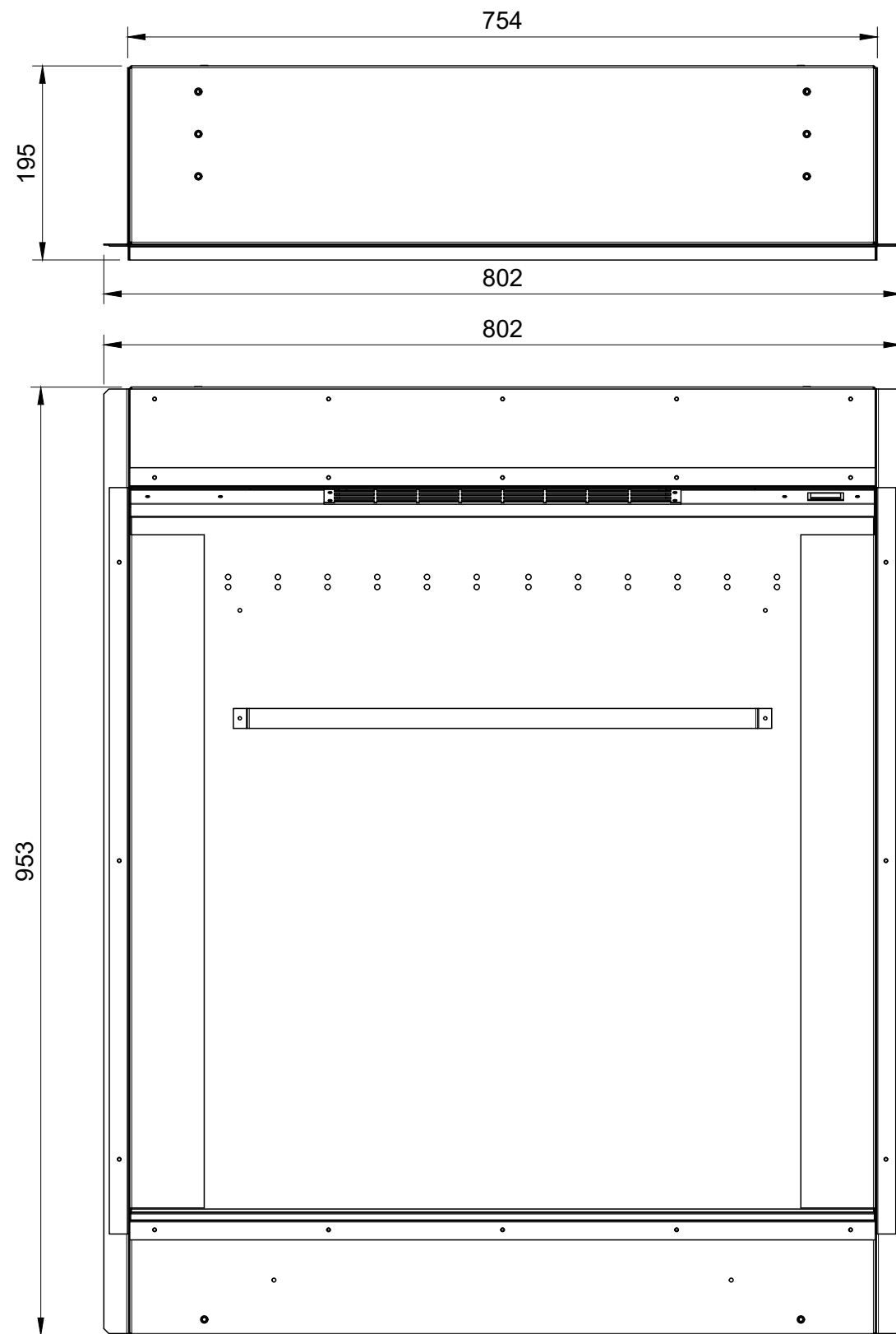
WIDTH - 1668mm



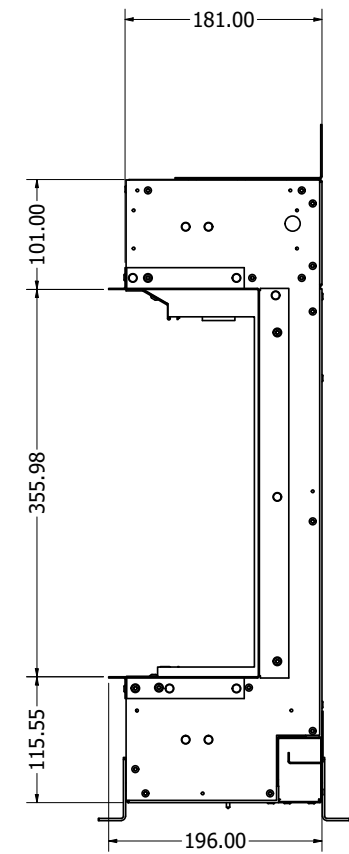
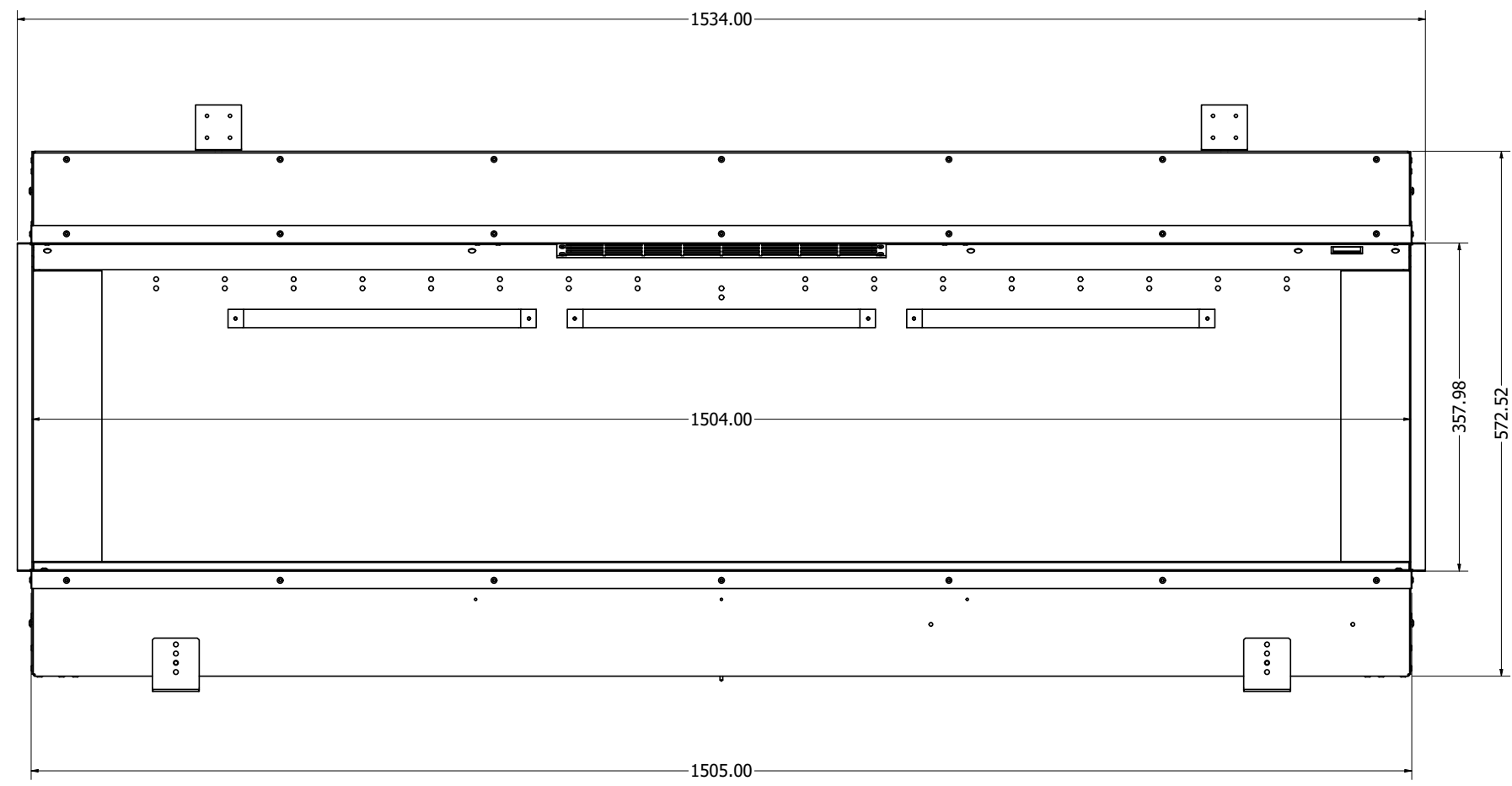
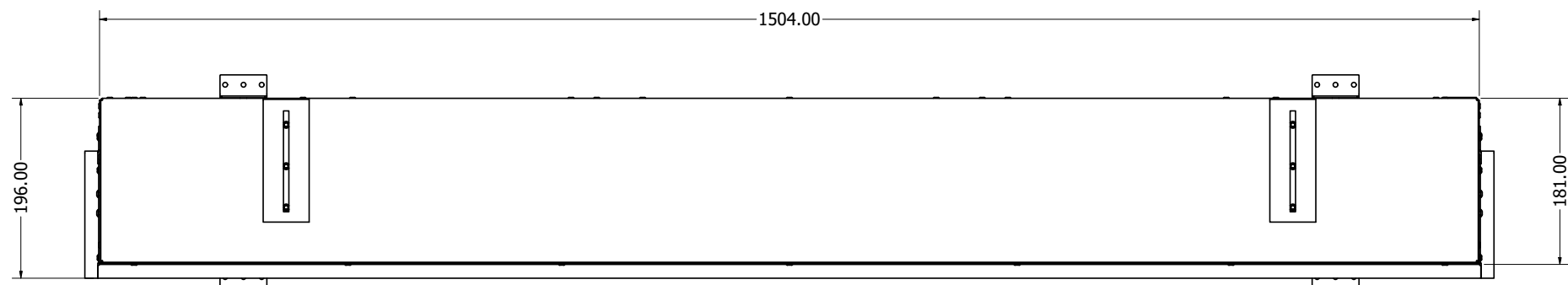
Halo 650



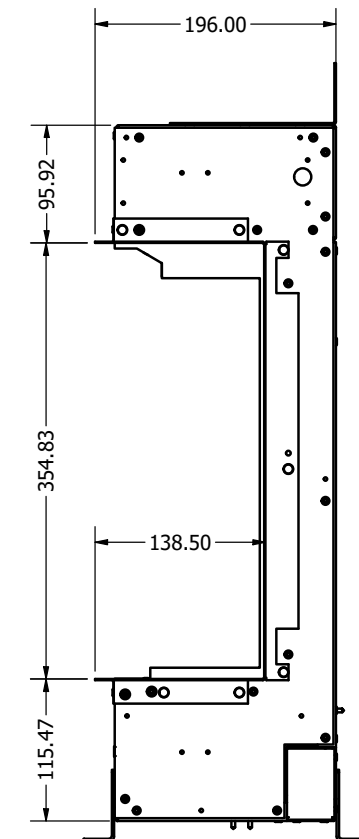
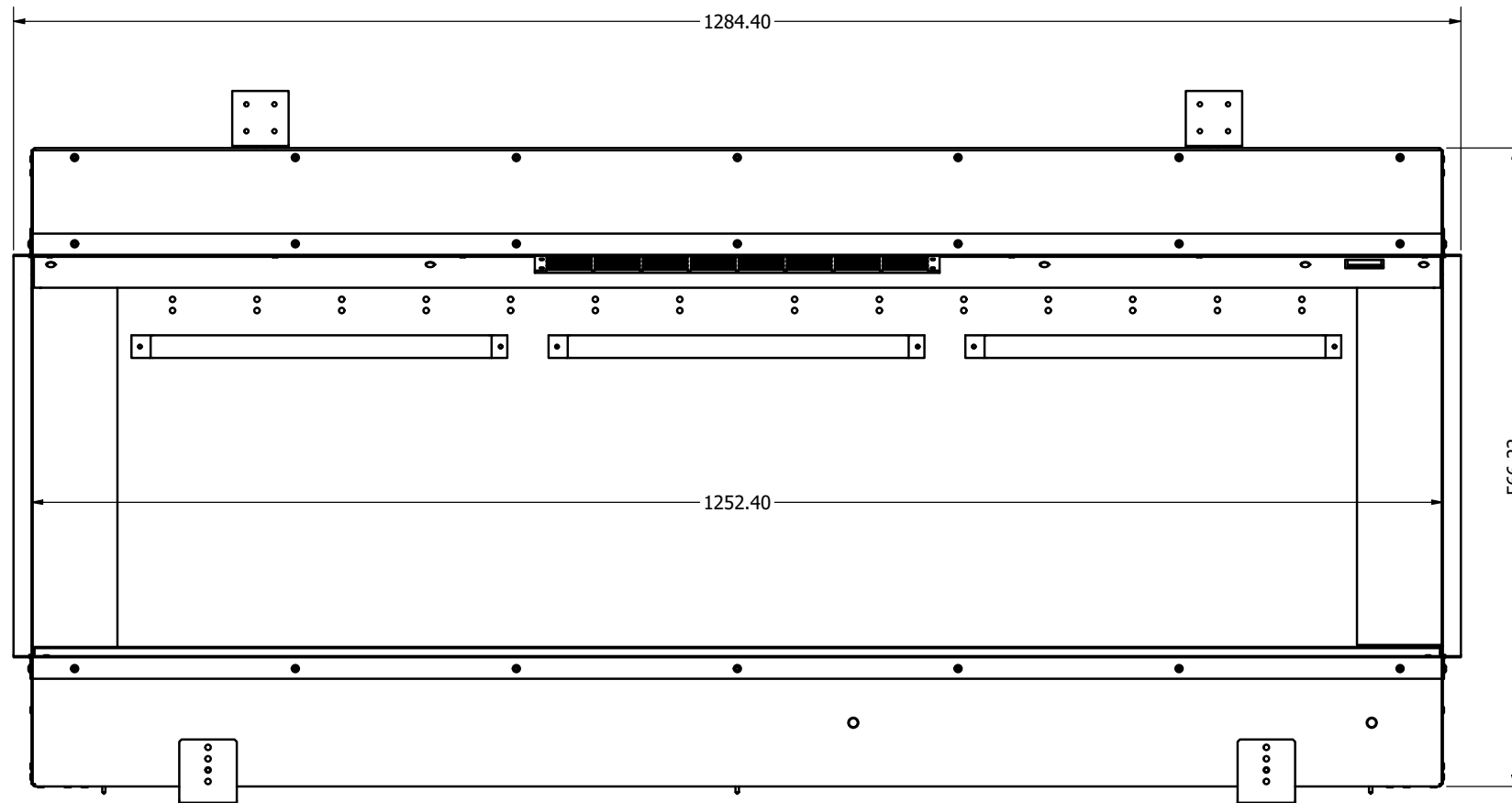
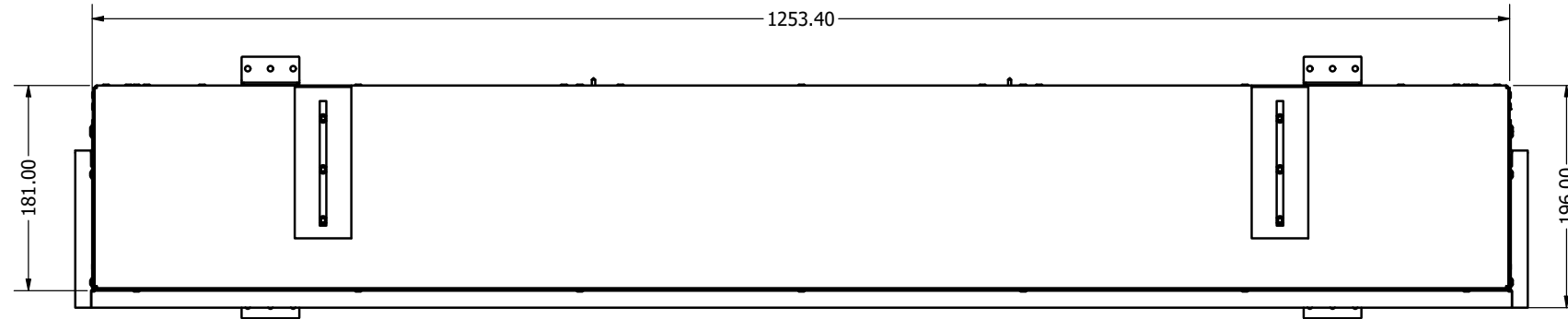
Halo 750



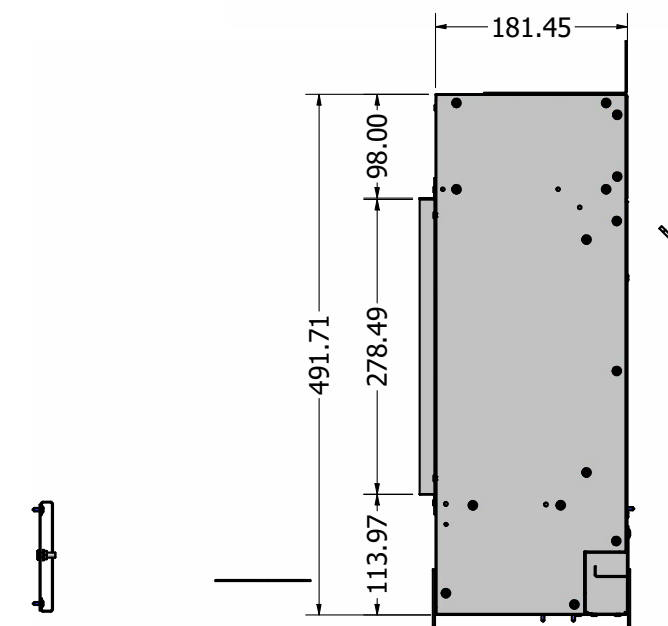
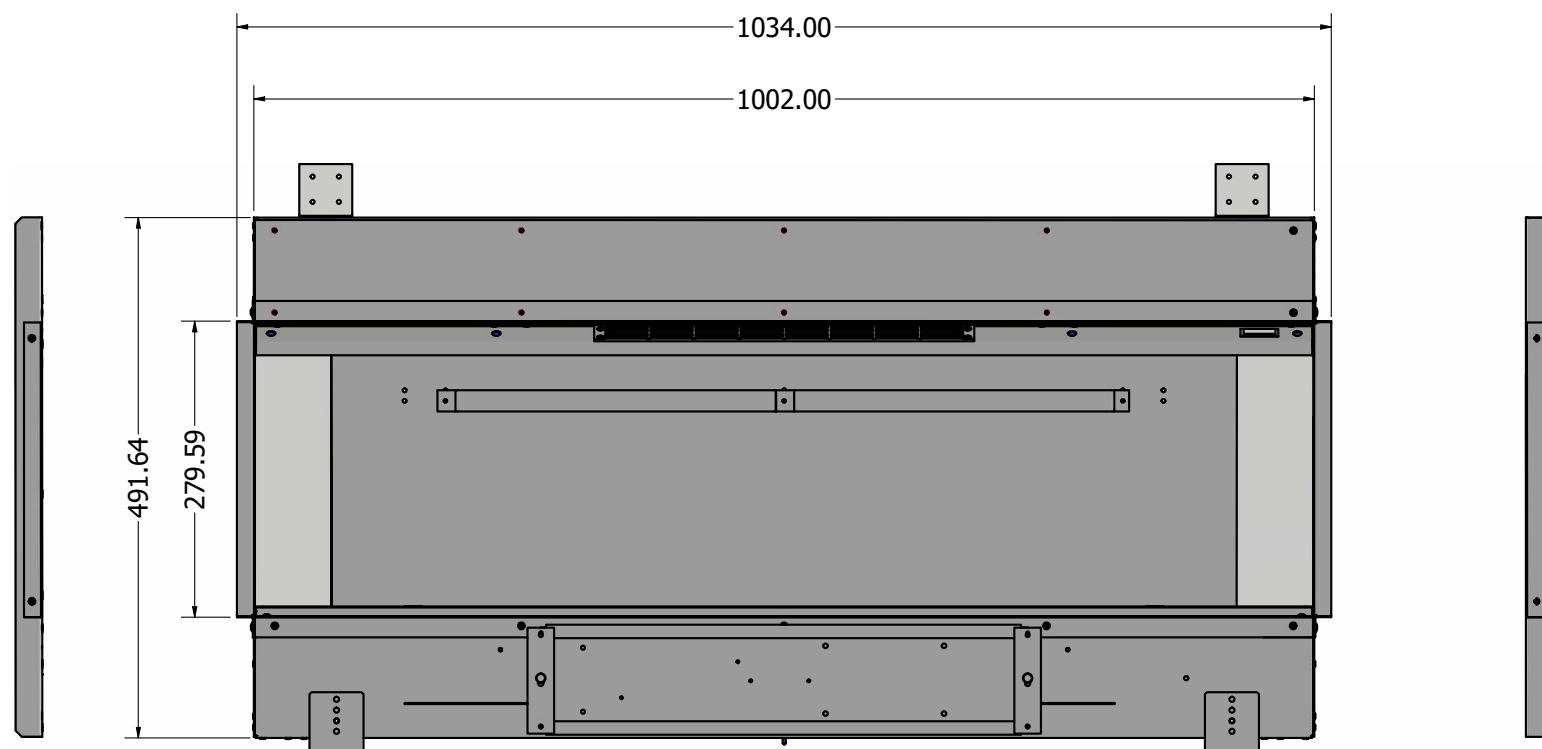
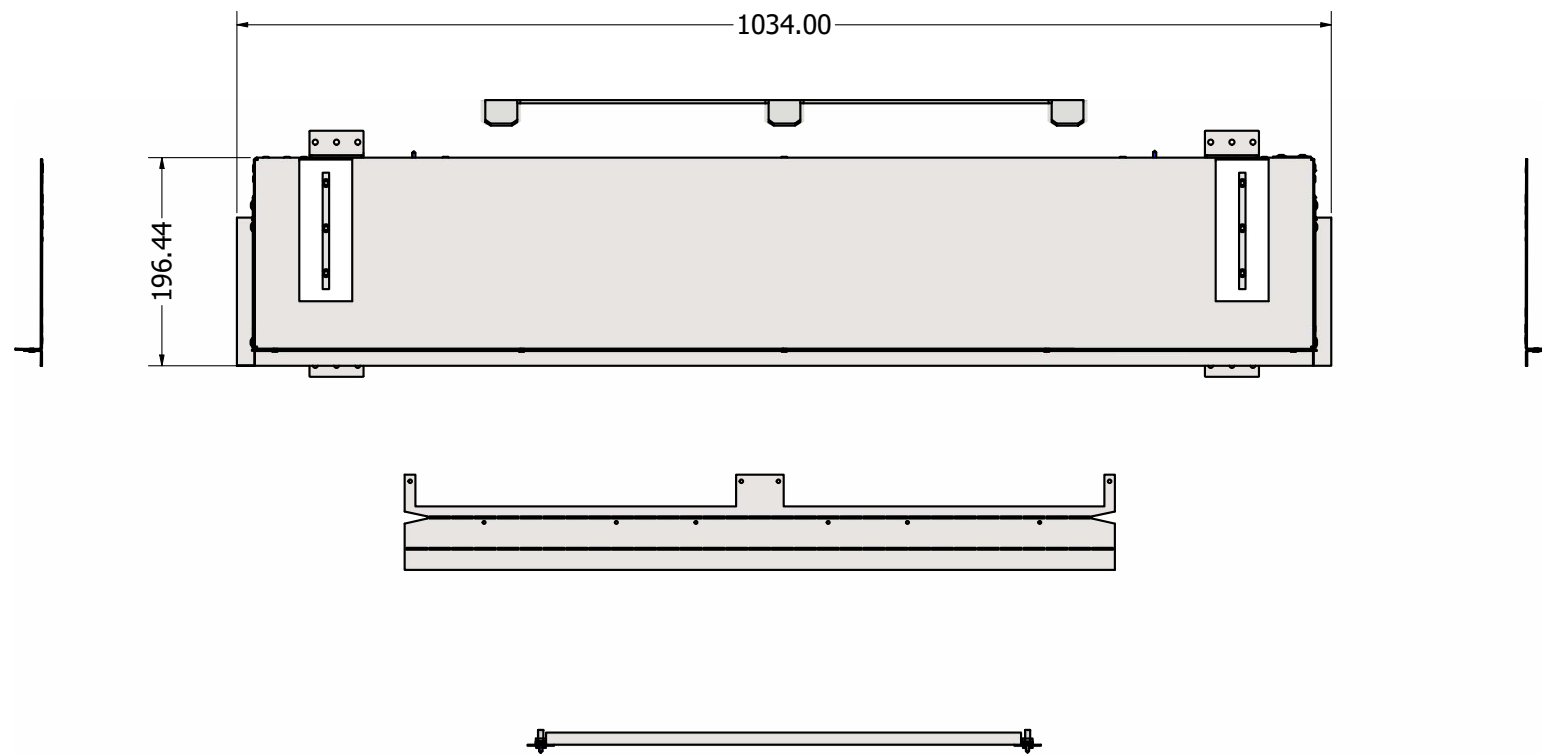
Halo 1500 SL



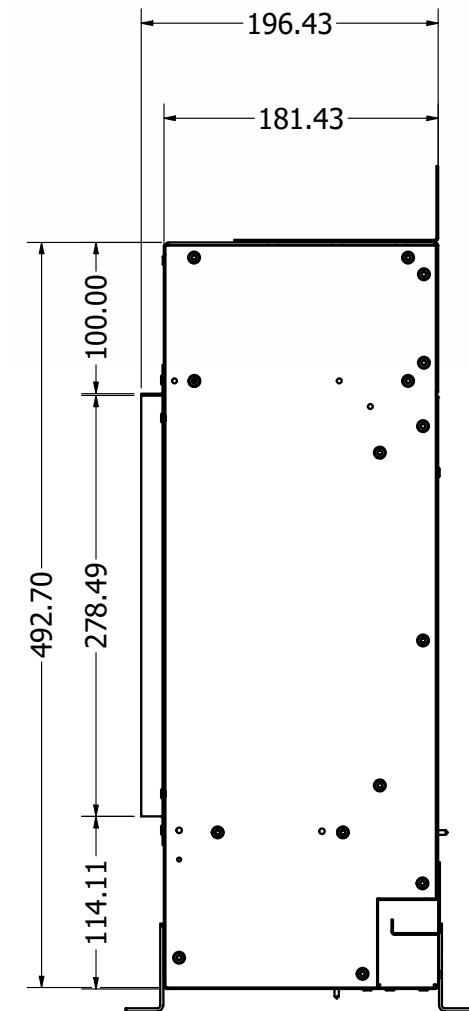
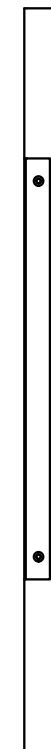
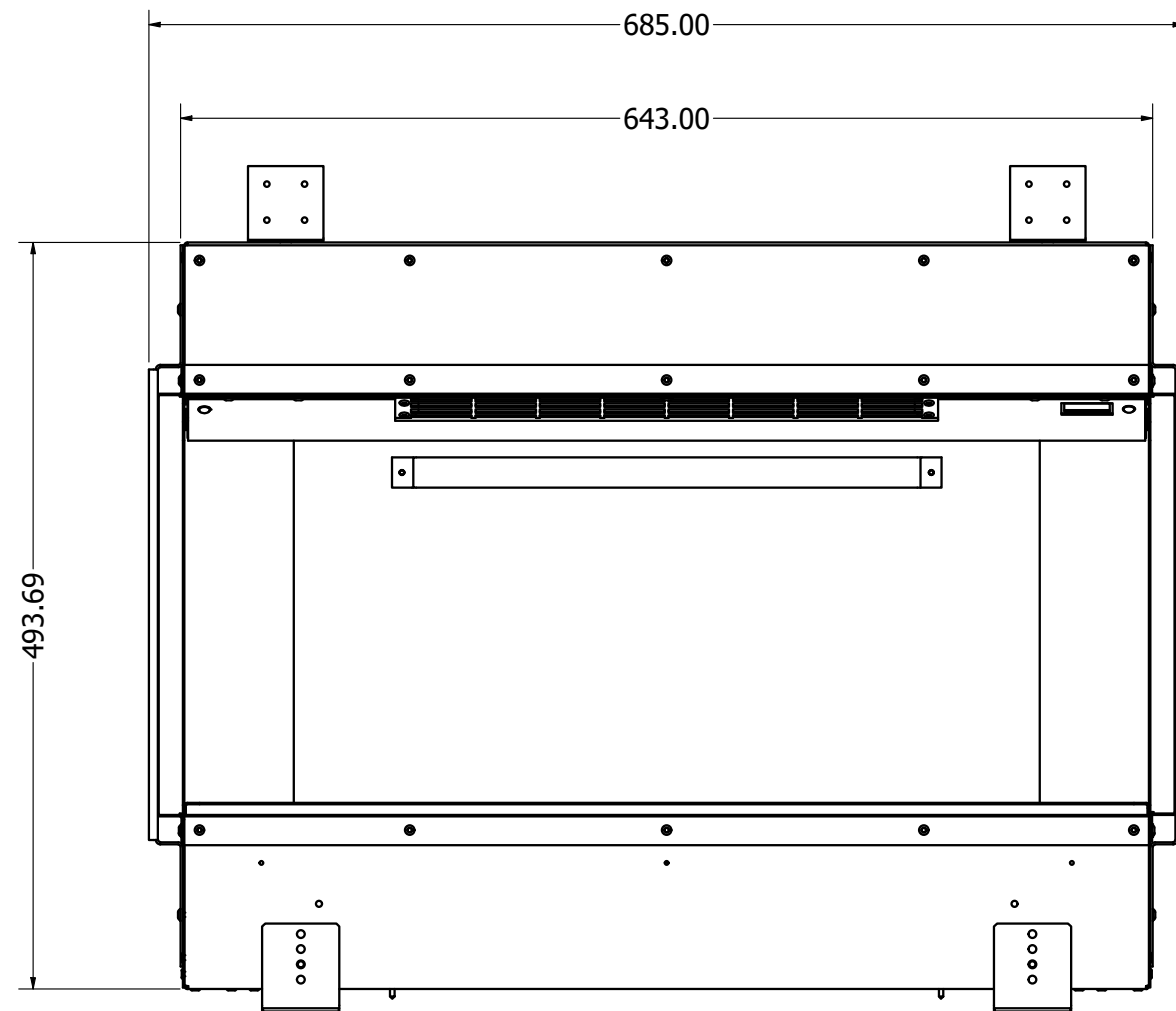
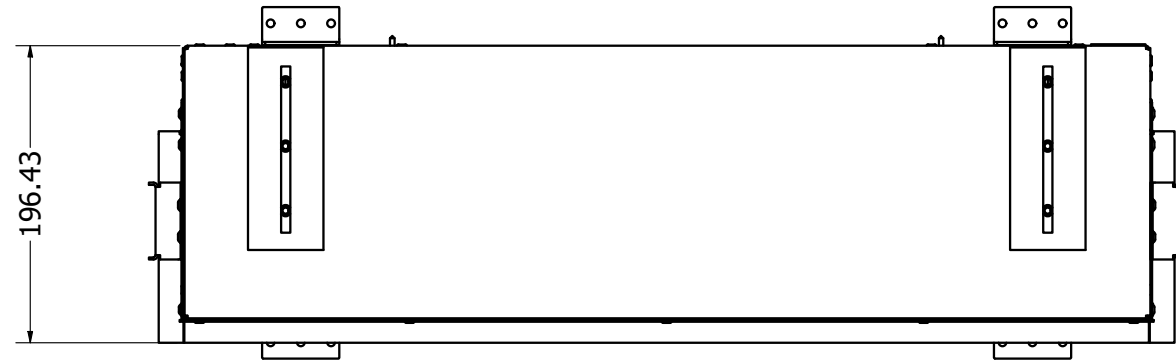
Halo 1250 SL



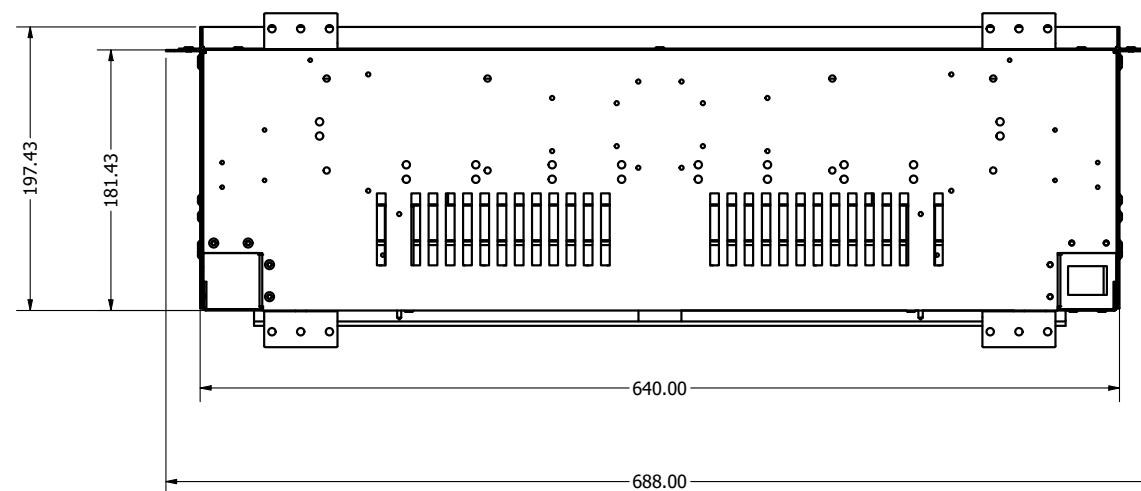
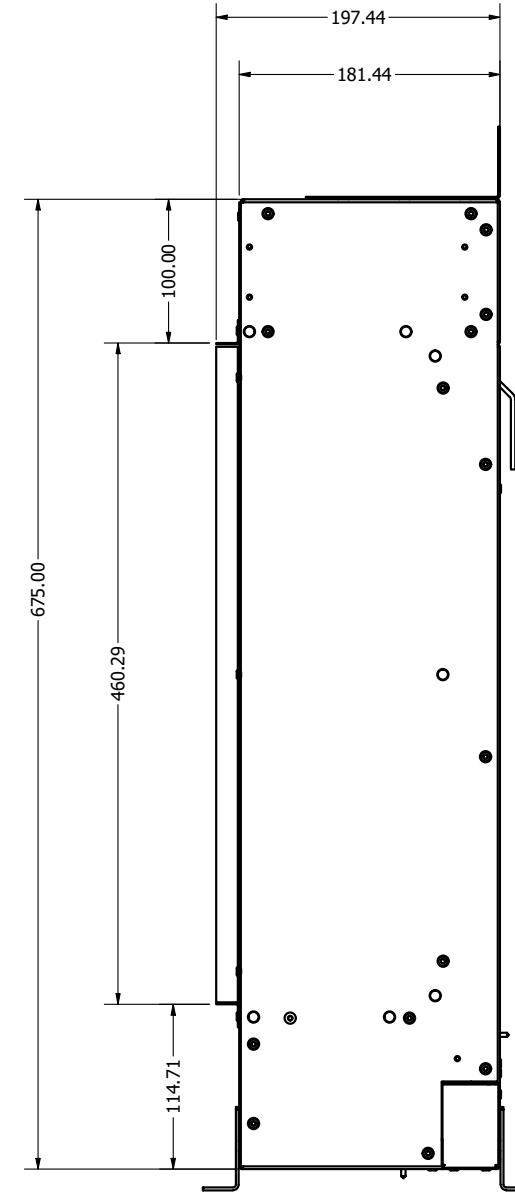
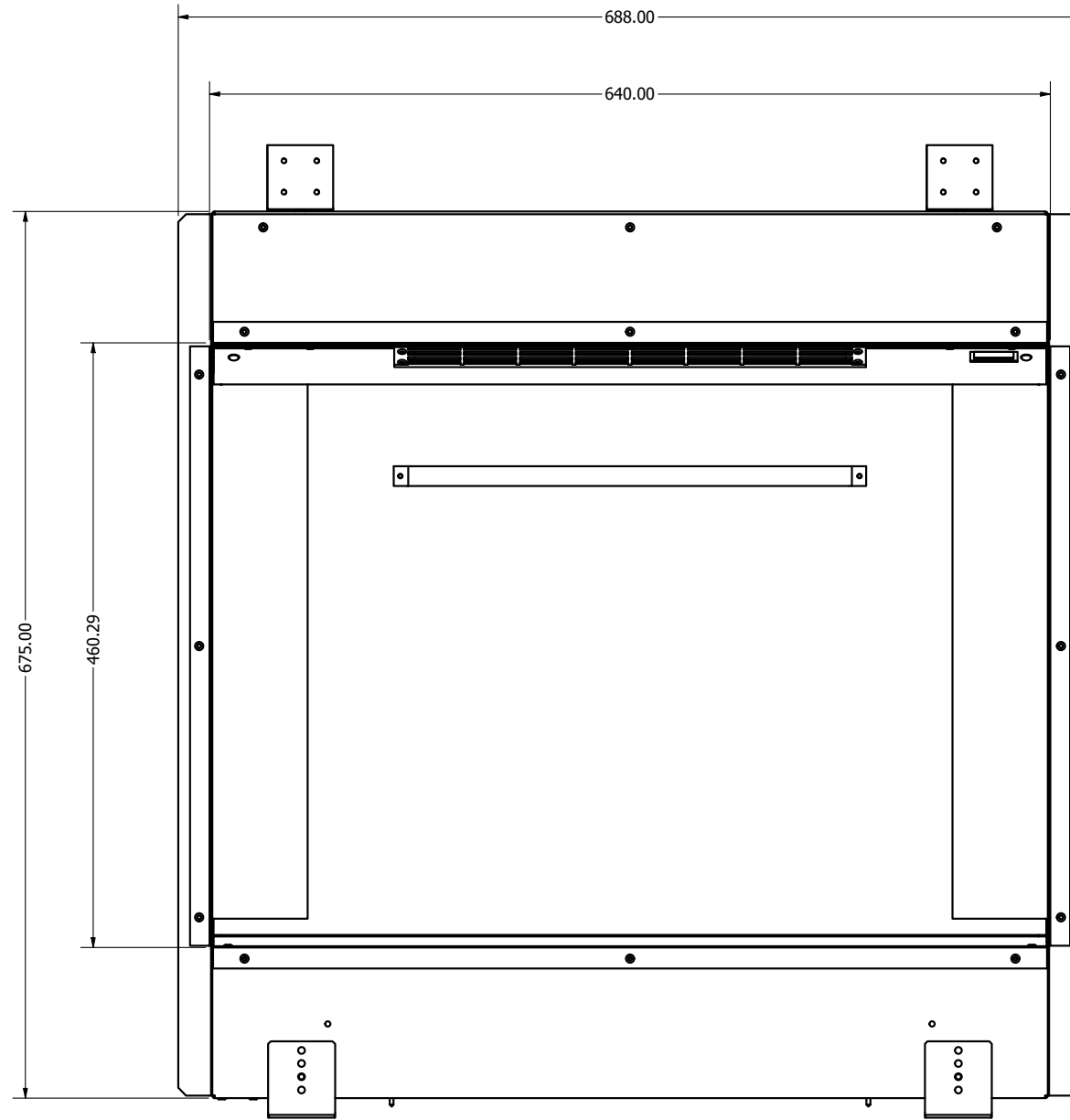
Halo 1000 SL



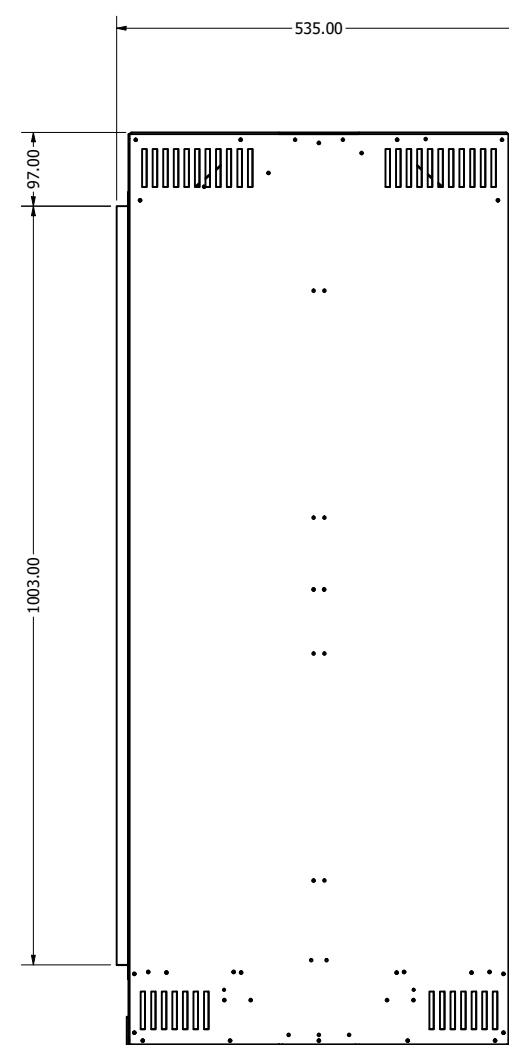
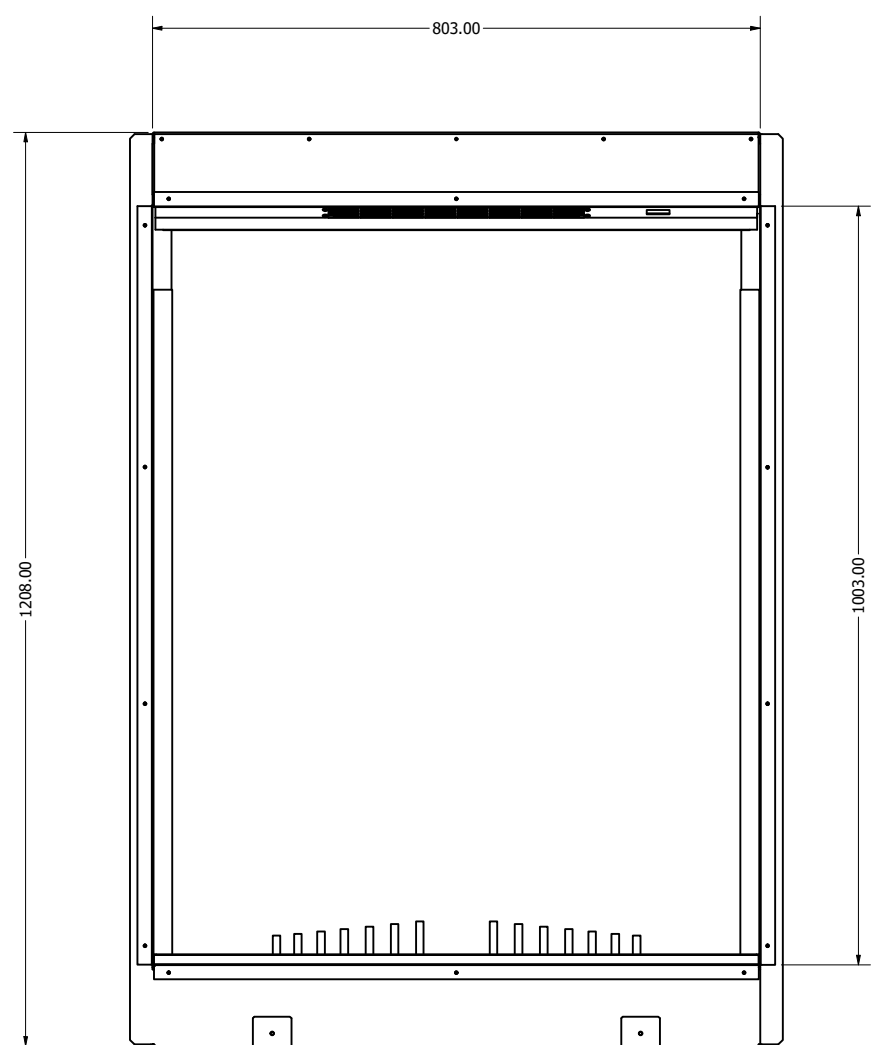
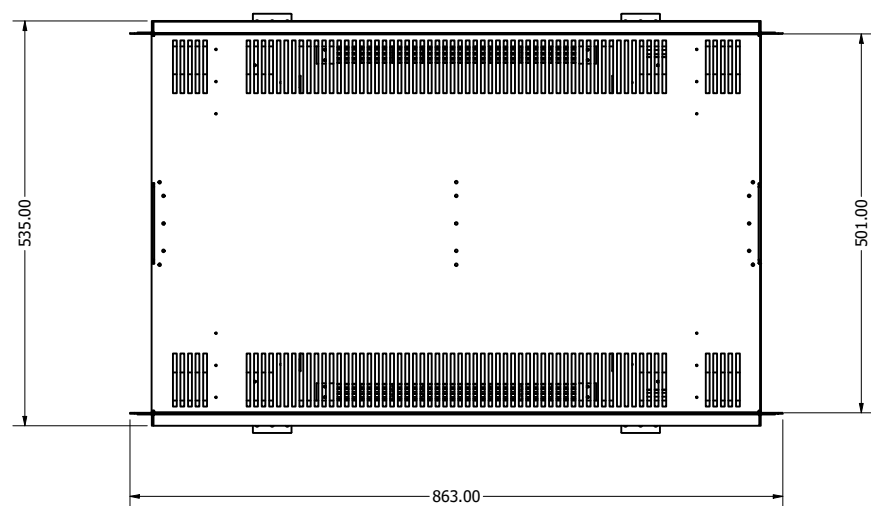
Halo 700 SL



Halo 600 SL



Halo 810 DS



Halo 500

