

# BUILT-INS

## INSTRUCTION MANUAL

E500  
E800  
E1030  
E1250  
E1500  
E1800  
E2400

Asta  
Avesta  
Exor  
Karlstad  
Kiruna  
Linnea  
Lita  
Malmo  
Motala  
Skara  
Tyrell

Novaro  
Elore  
Alente  
Romina  
Attora

# CONTENTS

EU Directives and UKCA Standards.....	3
Important Information and Health & Safety.....	4
Components for Evoflame.....	5
Components for E-Smart.....	6
Installation.....	7
Model Dimensions.....	8
Installation Process.....	10
Converting to GF / GF2 / GF3.....	11
Installing the Side Panels / Converting to GF / GF2.....	12
Requirements and Checks.....	13
Installation.....	15
Log Layouts.....	19
Installing the Side Glass.....	22
Installing the Front Glass.....	24
Troubleshooting.....	26
Warranty & Registration.....	28

## EU DIRECTIVES

All Evonic Fires products meet the requirements of the EC Directives. These directives have been met by compliance with the following standards:

EU 2011-65/EU 2015/863 Restriction of Hazardous Substances.

References to the relevant designated standards used:

EN 55014-1:2006 + A1:2009 + A2:2011 Electromagnetic Compatibility.

EN 55014-2:2015 Electromagnetic Compatibility.

EN 61000-3-2:2014 Electromagnetic Compatibility (EMC). Limits. Limits for Harmonic Current Emissions.

EN 61000-3-3:2013 Electromagnetic Compatibility (EMC). Limits. Limitation of Voltage Changes, Voltage Fluctuations and Flicker.

EN 60335-1:2012 + A11:2014 Household and similar electrical appliances - Safety

EN 60335-2-30:2009+A11:2012 Household and similar electrical appliances. Safety. Particular requirements for room heaters

## UKCA STANDARDS

All Evonic Fires products are in conformity with the relevant UK Statutory Instruments (and their amendments).

2016 No. 1101 The Electrical Equipment (Safety) Regulations 2016

2016 No. 1091 The Electromagnetic Compatibility Regulations 2016

2012 No. 3032 The Restriction Of Use Of Certain Hazardous Substances In Electrical And Electronic Equipment Regulations 2012



## IMPORTANT INFORMATION AND HEALTH & SAFETY

When using electrical appliances, basic precautions should always be followed to reduce the risk of fire, electric shock, and injury to persons, including the following:

- Read all of the instructions carefully before using the appliance, only use this appliance as described in this manual. Any other use not recommended by the manufacturer may cause injury to persons, or damage to the appliance.
- Remove all packaging and dispose of it at an appropriate recycling facility.
- When transporting or storing the appliance and power lead, keep in a dry place, away from excessive vibration and store so as to avoid damage.
- This fireplace is hot when in use. To avoid burns, do not let bare skin touch hot surfaces. The trim around the heater outlet becomes hot during heater operation.  
**DANGER:** High temperatures may be generated under certain abnormal conditions.
- Do not install this appliance immediately in front of a fixed socket outlet.
- Do not install this appliance in the immediate surroundings of a bath, shower, swimming pool or any other area where the appliance could come into contact with water or humidity, e.g. a bathroom.
- Do not use in areas where gasoline, paint, or any flammable liquids are used or stored.
- This appliance is only suitable for indoor use, do not use outdoors.
- Do not cover the appliance, or let the air inlet/outlet to be obstructed in any way as it may overheat.
- Keep the power lead away from hot surfaces and the heater outlet. Do not route the power lead in front of the appliance, or under any carpets or rugs. Do not allow the power lead to be coiled up once installed, as this can cause overheating.
- This appliance must be firmly fixed to or recessed into, a flat internal wall.
- A maintenance hatch must be installed into the surrounding installation to allow future access.
- Always use a certified electrician should new circuits or outlets be required. And always use properly grounded, fused and polarised outlets.
- Where the power lead passes through any masonry wall, stone surround etc. ensure that suitable rubber bushes are fitted at any possible wear points.
- If the power lead is damaged do not use the appliance until it has been replaced.
- Do not use any external switching device, timers, or extension leads. Do not connect the appliance to a circuit that is frequently switched on and off by the utility.
- In the event of a malfunction, switch off the appliance, and disconnect it from the mains power supply. Have the appliance inspected by a certified electrician before reusing.
- Do not use the appliance if it is damaged. In the event of any damage to the appliance, please contact the retailer from whom the appliance was purchased.
- Any repairs must only be performed by a certified electrician.
- Extreme caution is necessary when any heater is used by, located near children or people of reduced mobility, and whenever the unit is left operating and unattended.
- Young children should be supervised to ensure that they do not play with the appliance.
- Disconnect from the power supply before performing any cleaning, maintenance or relocation of the unit. Do not use steam cleaners, or aerosols near the appliance.
- Do not burn wood or anything else in this appliance.
- Do not strike the glass. The glass used is toughened safety glass, if broken it will shatter into small chunks which are less likely to cause injury.
- Do not drill or screw any new holes into the appliance.

# COMPONENTS FOR EVOFLAME & SL 180 RANGE

Name	Log Sets & Quantity			Chippings	Black Vermiculite	GF/GF2 Case Side Panels	Suction Lifter	Wall brackets	Bracket fixings		Chrome Side Panels	IEC Clip	Remote Control	Electrical Lead	Instructions
	Continental Woodland or Silver Birch	Twig Log Set E640	Small SPLEVO89305						Wall Plugs	Rear & Top Screws					
e500	1 x E700			1 x	1 x	YES	1 x	1 x rear 2 x top	5 x 6 x top	5 x rear 6 x top	2 x panels 4 x magnets	1 x	1 x	1 x	1 x
e800	2 x E1000			2 x	2 x	YES	1 x	1 x rear 2 x top	5 x 6 x top	5 x rear 6 x top	2 x panels 4 x magnets	1 x	1 x	1 x	1 x
e1030	1 x E1000			1 x	1 x	YES	1 x	1 x rear 2 x top	5 x 6 x top	5 x rear 6 x top	2 x panels 4 x magnets	1 x	1 x	1 x	1 x
e1250	2 x E1000			1 x	1 x	YES	1 x	1 x rear 2 x top	10 x 6 x top	10 x rear 6 x top	2 x panels 4 x magnets	1 x	1 x	1 x	1 x
e1500	2 x E1000			2 x	2 x	YES	1 x	1 x rear 2 x top	10 x 6 x top	10 x rear 6 x top	2 x panels 4 x magnets	1 x	1 x	1 x	1 x
e1800	3 x E1000			3 x	3 x	YES	1 x	1 x rear 2 x top	10 x 6 x top	10 x rear 6 x top	2 x panels 4 x magnets	1 x	1 x	1 x	1 x
e2400	4 x E1000			4 x	4 x	YES	1 x	1 x rear 2 x top	10 x 6 x top	10 x rear 6 x top	2 x panels 4 x magnets	1 x	1 x	1 x	1 x
Name	Woodland or Silver Birch	Twig Log Set E640	Small SPLEVO89305	Glass Beads	Black Vermiculite	GF/GF2 Case Side Panels	Suction Lifter	Wall brackets	Wall Plugs	Rear & Top Screws	Chrome Side Panels	IEC Clip	Remote Control	Electrical Lead	Instructions
Novaro		3 x		2 x each	1 x	YES	1 x	1 x rear 2 x top	10 x	10 x rear 6 x top		1 x	1 x	1 x	1 x
Elore		2 x		2 x each	1 x	YES	1 x	1 x rear 2 x top	10 x	10 x rear 6 x top		1 x	1 x	1 x	1 x
Alente		2 x		2 x each	1 x	YES	1 x	1 x rear 2 x top	5 x	5 x rear 6 x top		1 x	1 x	1 x	1 x
Romina		1 x	1 x	1 x each	1 x	YES	1 x	1 x rear 2 x top	5 x	5 x rear 6 x top		1 x	1 x	1 x	1 x
Attora		1 x	1 x	1 x each	1 x	YES	1 x	1 x rear 2 x top	5 x	5 x rear 6 x top		1 x	1 x	1 x	1 x

# COMPONENTS FOR E-SMART

Name	Log Sets & Quantity				Glass Stones Clear & Amber	Black Vermiculite	GF/GF2 Case Side Panels	Suction Lifter	Wall brackets	Bracket fixings		Chrome Side Panels	IFC Clip	Remote Control	Electrical Lead	Instructions	Tile Wings
	Continental Woodland or Silver Birch	Split Woodland	Split silver Birch	Twig Log Set E6-40						Wall Plugs	Rear & Top Bracket Screws						
Asta (1800XT)		2 x E1030	2 x E1030		3 x Clear 3 x Amber	8 x	YES	1 x	1 x rear 2 x top	10 x	10 x rear 6 x top	2 x panels 4 x magnets	1 x	1 x	1 x	1 x	
Avesta (1800)		2 x E1030	2 x E1030		3 x Clear 3 x Amber	8 x	YES	1 x	1 x rear 2 x top	10 x	10 x rear 6 x top	2 x panels 4 x magnets	1 x	1 x	1 x	1 x	
Exor (1250XT)		1 x E1030	1 x E1030		2 x Clear 2 x Amber	4 x	YES	1 x	1 x rear 2 x top	10 x	10 x rear 6 x top	2 x panels 4 x magnets	1 x	1 x	1 x	1 x	
Karlstad (2400)		1 x E1500 1 x E1030	1 x E1500 1 x E1030		4 x Clear 4 x Amber	10 x	YES	1 x	1 x rear 2 x top	10 x	10 x rear 6 x top	2 x panels 4 x magnets	1 x	1 x	1 x	1 x	
Kiruna (1030)		1 x E1030	1 x E1030		2 x Clear 2 x Amber	4 x	YES	1 x	1 x rear 2 x top	5 x	5 x rear 6 x top	2 x panels 4 x magnets	1 x	1 x	1 x	1 x	YES
Linnea (1500)		1 x E1500	1 x E1500		3 x Clear 3 x Amber	6 x	YES	1 x	1 x rear 2 x top	10 x	10 x rear 6 x top	2 x panels 4 x magnets	1 x	1 x	1 x	1 x	YES
Lita (1500XT)		1 x E1500	1 x E1500		3 x Clear 3 x Amber	6 x	YES	1 x	1 x rear 2 x top	10 x	10 x rear 6 x top	2 x panels 4 x magnets	1 x	1 x	1 x	1 x	
Malmö (750)				2 x	1 x Clear 1 x Amber	1 x		1 x	1 x rear 2 x top	5 x	5 x rear 6 x top	2 x panels 4 x magnets	1 x	1 x	1 x	1 x	
Motala (1250)		1 x E1030	1 x E1030		2 x Clear 2 x Amber	4 x	YES	1 x	1 x rear 2 x top	10 x	10 x rear 6 x top	2 x panels 4 x magnets	1 x	1 x	1 x	1 x	YES
Skara (650)				2 x	1 x Clear 1 x Amber	1 x		1 x	1 x rear 2 x top	5 x	5 x rear 6 x top	2 x panels 4 x magnets	1 x	1 x	1 x	1 x	
Tyrell (800)		1 x E800	1 x E800		1 x Clear 1 x Amber	1 x	YES	1 x	1 x rear 2 x top	5 x	5 x rear 6 x top	2 x panels 4 x magnets	1 x	1 x	1 x	1 x	YES

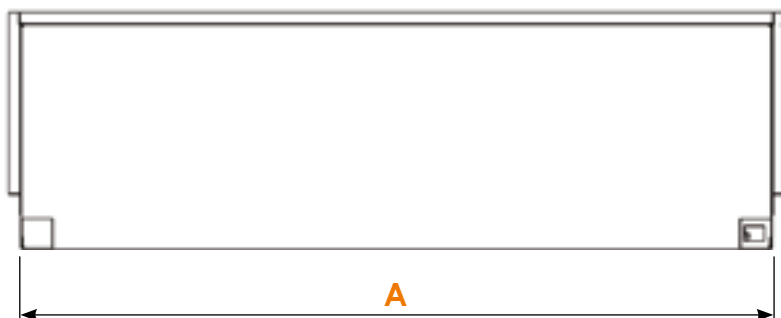
---

# INSTALLATION

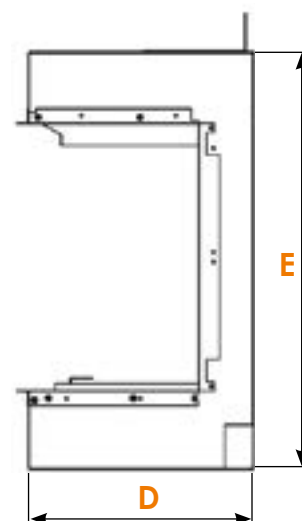
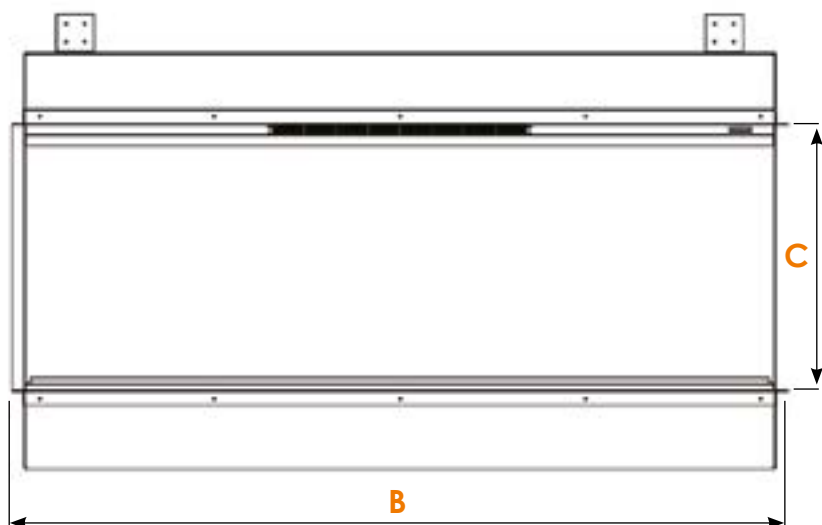
---

## MODEL DIMENSIONS

The model shown in these drawings is an E1030, however the same processes apply to all Evoflame and E-Smart models.  
Scan the QR code for more detailed specification drawings.



- A** - Width excl. plaster kit
- B** - Width incl. plaster kit
- C** - Opening height
- D** - Depth excl. plaster kit
- E** - Height
- F** - Width incl. tile wings  
*(Not shown)*
- G** - Height incl. tile wings  
*(Not shown)*



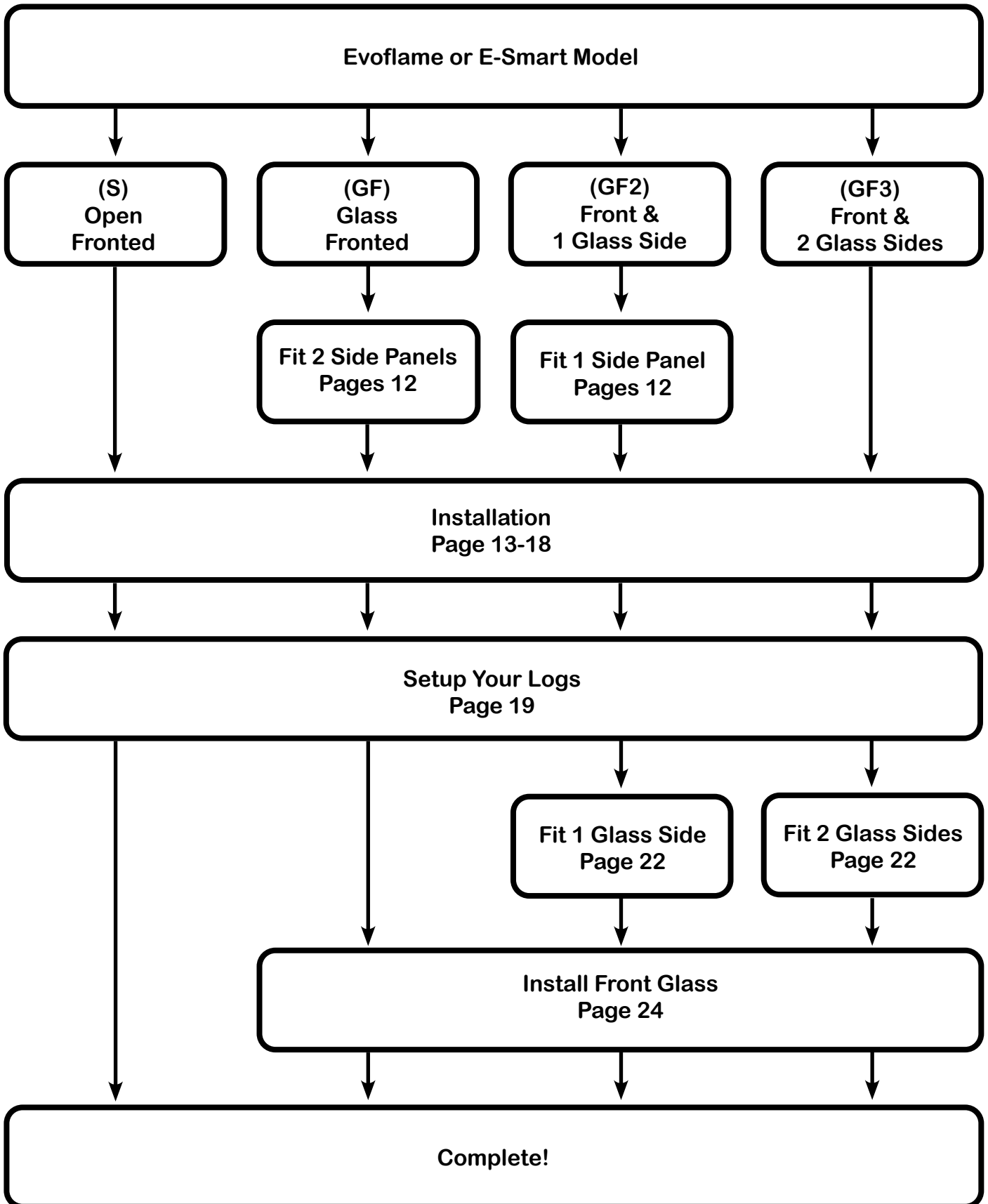
For detailed  
specification  
drawings  
please scan  
the QR code





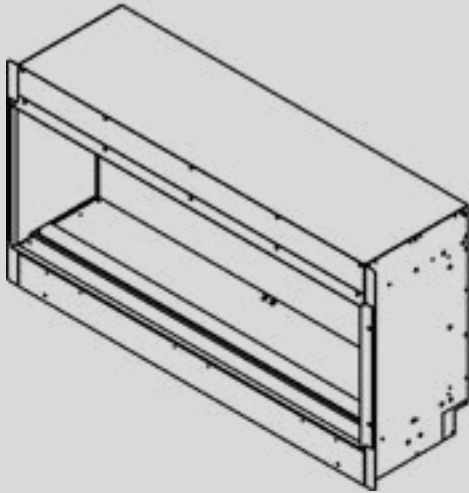
MODEL	A	B	C	D	E	F	G
<b>Asta</b>	1752mm	1784mm	455mm	300mm	658mm	N/A	N/A
<b>Lita</b>	1503mm	1535mm	455mm	300mm	659mm	N/A	N/A
<b>Exor</b>	1255mm	1285mm	460mm	300mm	659mm	N/A	N/A
<b>Karlstad</b>	2402mm	2438mm	430mm	300mm	631mm	N/A	N/A
<b>Avesta</b>	1753mm	1785mm	410mm	300mm	611mm	N/A	N/A
<b>Linnea</b>	1506mm	1536mm	353mm	300mm	555mm	1914mm	555mm
<b>Motala</b>	1254mm	1284mm	328mm	300mm	556mm	1668mm	556mm
<b>Kiruna</b>	1004mm	1035mm	357mm	300mm	555mm	1418mm	570mm
<b>Tyrell</b>	805mm	853mm	590mm	300mm	791mm	1188mm	N/A
<b>Skara</b>	654mm	702mm	682mm	180mm	897mm	N/A	N/A
<b>Malmo</b>	754mm	802mm	752mm	180mm	953mm	N/A	N/A
<b>E2400</b>	2402mm	2438mm	430mm	300mm	631mm	N/A	N/A
<b>E1800</b>	1753mm	1785mm	410mm	300mm	611mm	N/A	N/A
<b>E1500</b>	1506mm	1536mm	353mm	300mm	555mm	N/A	N/A
<b>E1250</b>	1254mm	1284mm	328mm	300mm	556mm	N/A	N/A
<b>E1030</b>	1004mm	1035mm	357mm	300mm	555mm	N/A	N/A
<b>E800</b>	805mm	853mm	590mm	300mm	791mm	N/A	N/A
<b>E500</b>	492mm	540mm	399mm	300mm	609mm	N/A	N/A
<b>Novaro</b>	1505mm	1534mm	356mm	180mm	573mm	N/A	N/A
<b>Elore</b>	1253mm	1284mm	355mm	180mm	566mm	N/A	N/A
<b>Alente</b>	1002mm	1034mm	278mm	180mm	492mm	N/A	N/A
<b>Romina</b>	643mm	685mm	278mm	180mm	494mm	N/A	N/A
<b>Attora</b>	640mm	688mm	460mm	180mm	675mm	N/A	N/A

# INSTALLATION PROCESS



## CONVERTING TO GF / GF2 / GF3

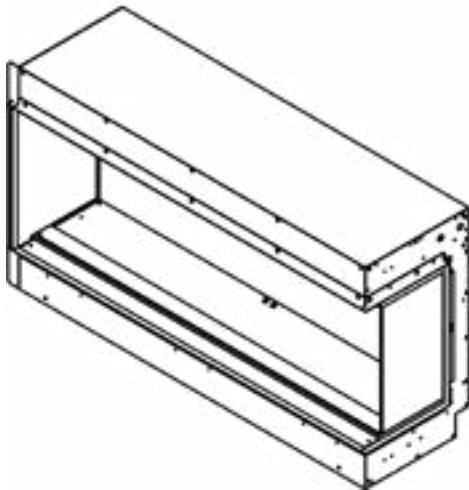
The appliance is shipped in the GF3 configuration, however most models can be converted to be GF or GF2 depending on your preference.



### GF Configuration

#### **Glass Fronted**

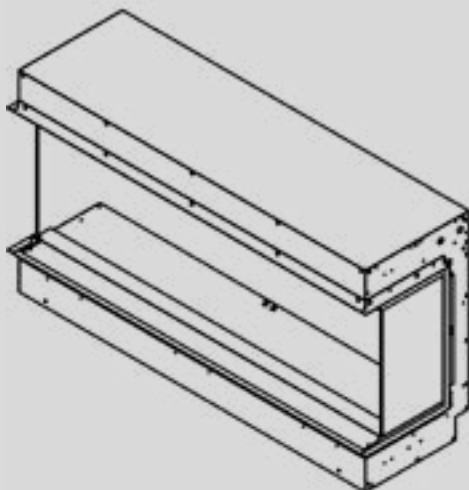
A single glass panel at the front of the appliance.



### GF2 Configuration

#### **Glass Fronted 2**

A glass panel at the front and one side piece of glass. The glass can be either side.



### GF3 Configuration

#### **Glass Fronted 3**

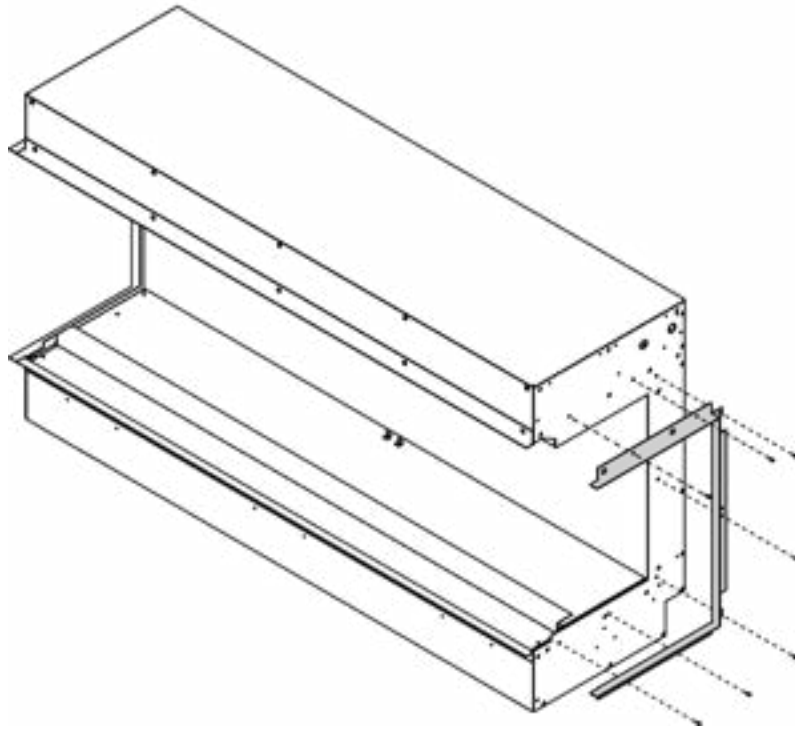
The standard configuration.

A glass panel at the front and both side pieces of glass.

## INSTALLING THE SIDE PANELS / CONVERTING TO GF / GF2

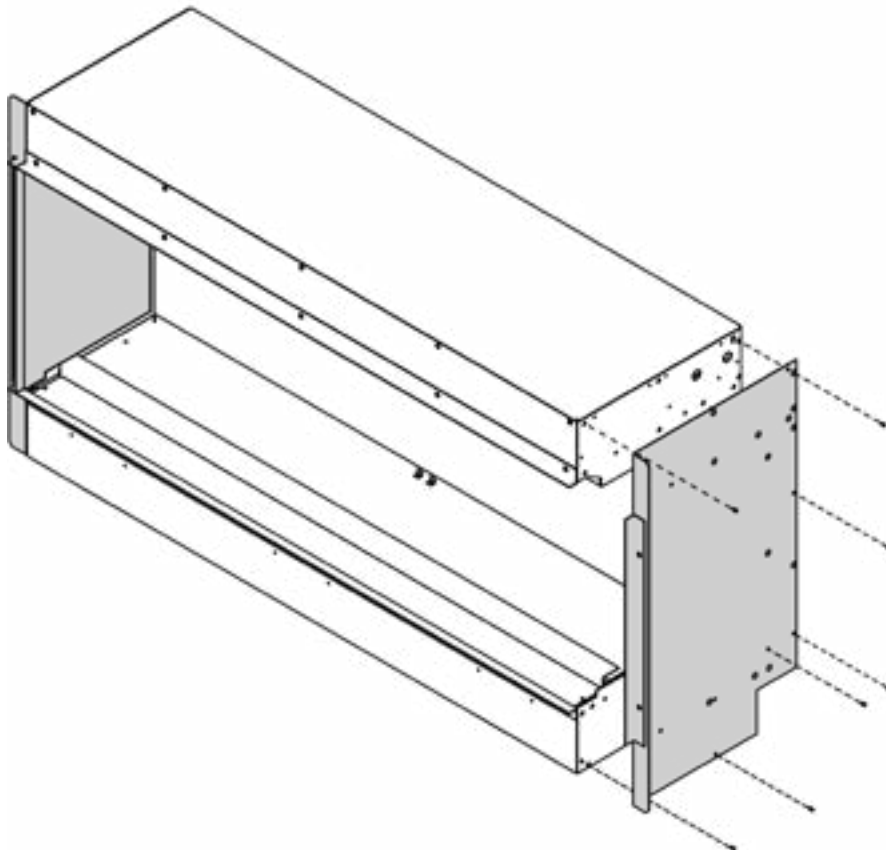
1

Unscrew and remove the plaster kits from the side/s of the appliance.



2

Screw in the side panel/s, on one or both sides.

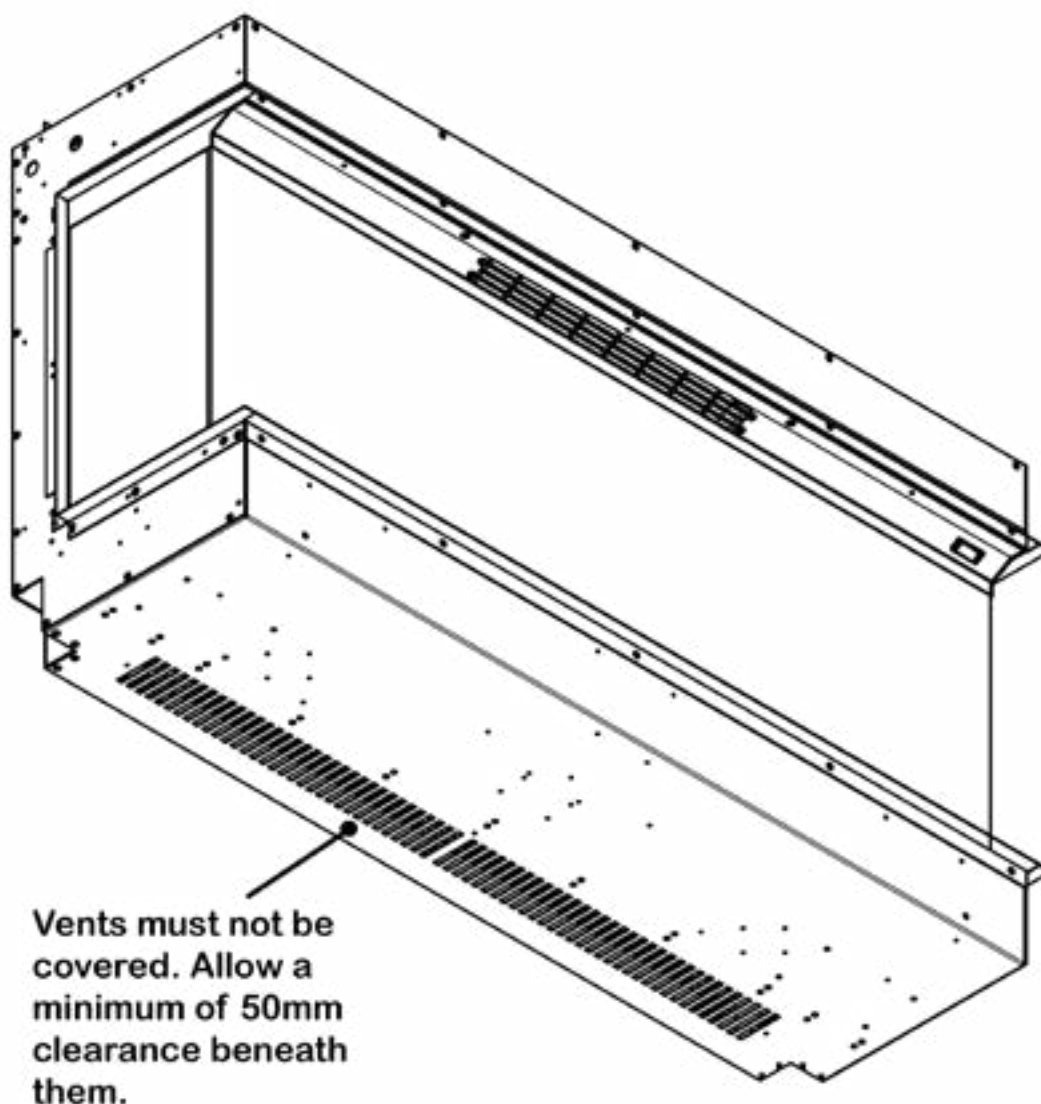


# INSTALLATION

## INSTALLATION REQUIREMENTS

Before installing the appliance please read and take into account the following important requirements;

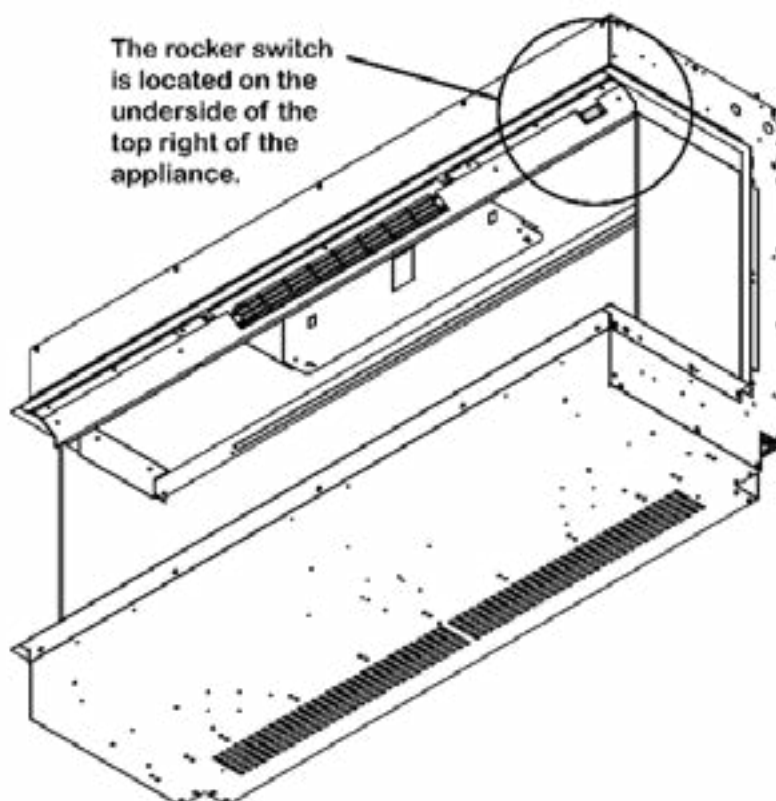
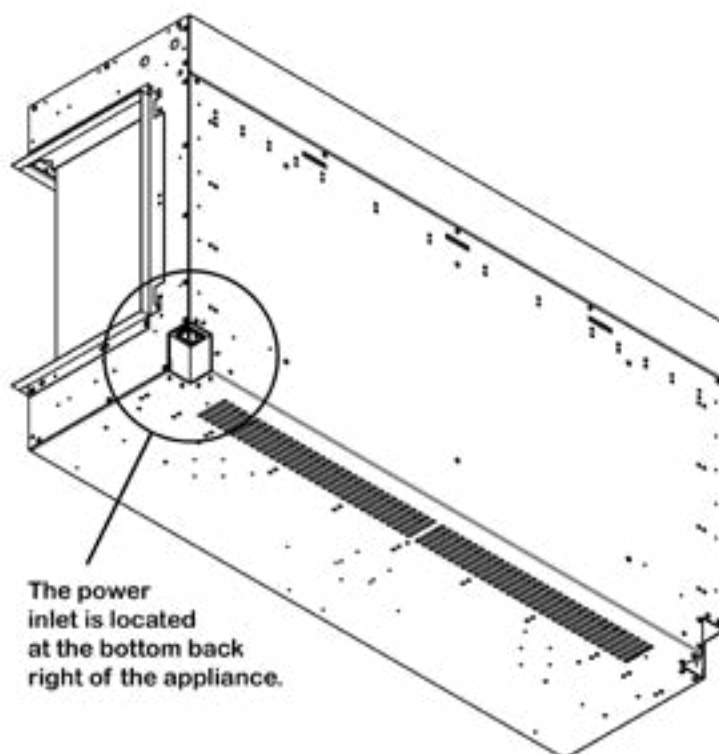
- Consult a qualified professional to check the structure of the installation site.
- These appliances have been designed to be installed into either a stud and plasterboard wall, or an existing chimney breast. (Please note that Open, GF2, and GF3 models are not suitable for existing chimney breast installations.)
- If installing into an existing chimney, make sure to adequately block off the flue.
- The E1800, E2400, Avesta, Asta, and Karlstad appliances require extra support due to their size and weight, as such they are not suitable for 'floating' installations.
- The appliance must never be installed in front of an electrical socket.
- The appliance must not be installed anywhere that it may come into contact with water, i.e. a bathroom.
- Do not wet plaster directly onto the appliance.



## CHECKS BEFORE INSTALLATION

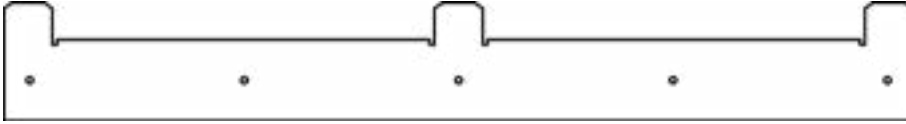
We recommend turning on the appliance before installation, connect the appliance to a power source using the provided electrical lead, and depress the right side of the rocker switch.

Remove the electrical lead from the wall and continue with the installation.

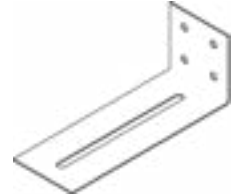


## TOOLS REQUIRED

- Tape Measure
- Pencil
- Spirit Level
- Screwdriver
- PZ2 Screw Bit
- Drill Bit
- Rear Wall Bracket Plugs (Masonry type supplied)
- Rear Wall Screws (Masonry type supplied)
- Top Mounted Bracket Screws x 6 (supplied)
- Top Mounted Bracket Wall Screws x 8 (supplied)
- Stud Detector (Plasterboard installations only. Not supplied)
- Wall Anchors (Plasterboard installations only. Not supplied)



x 1 Rear Wall Bracket



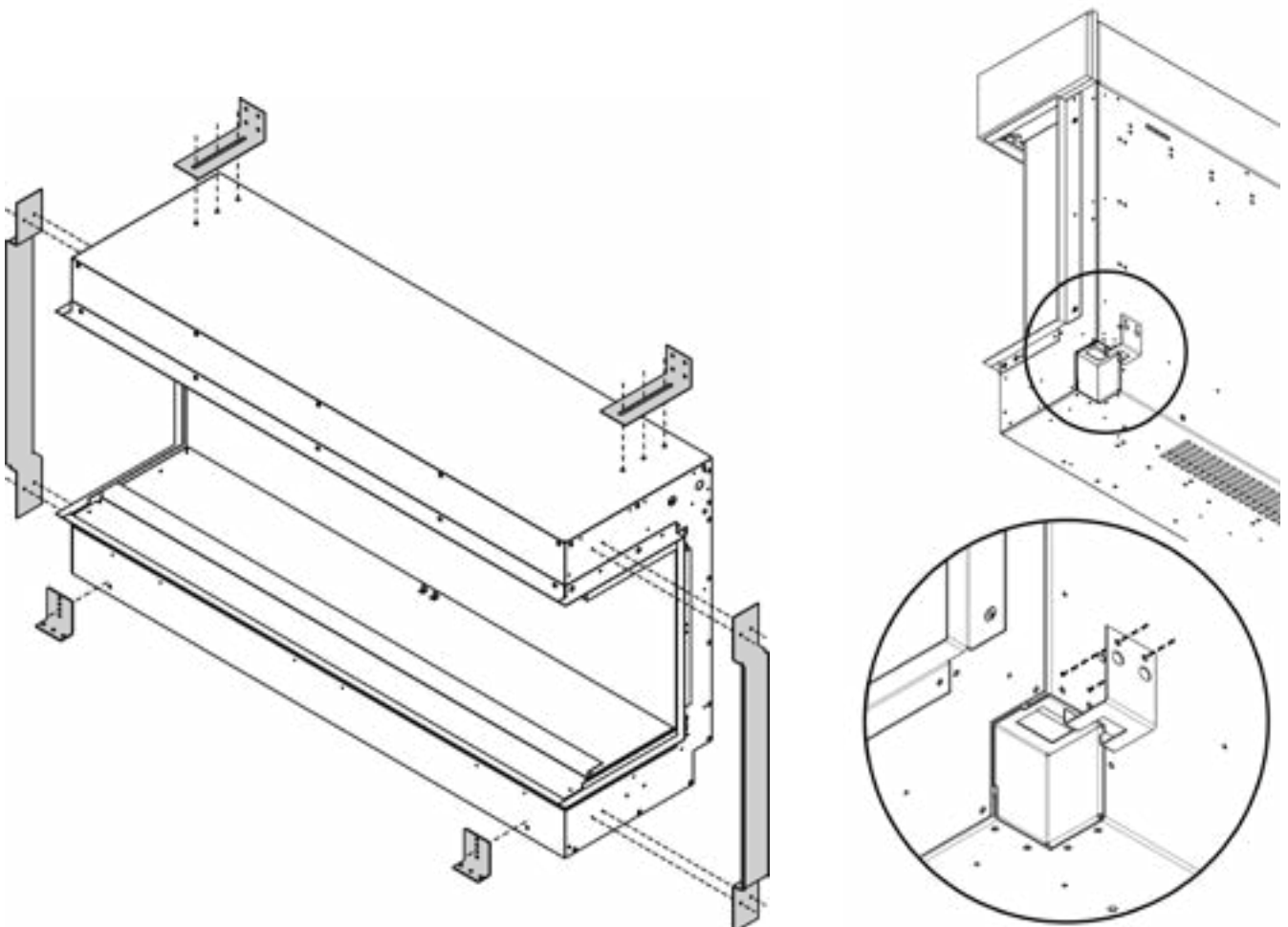
x 2 Top Mounted Wall Brackets

The appliance is supplied with a rear wall bracket, the size of this bracket and the number of screw holes varies between models.

## INSTALLATION STEPS

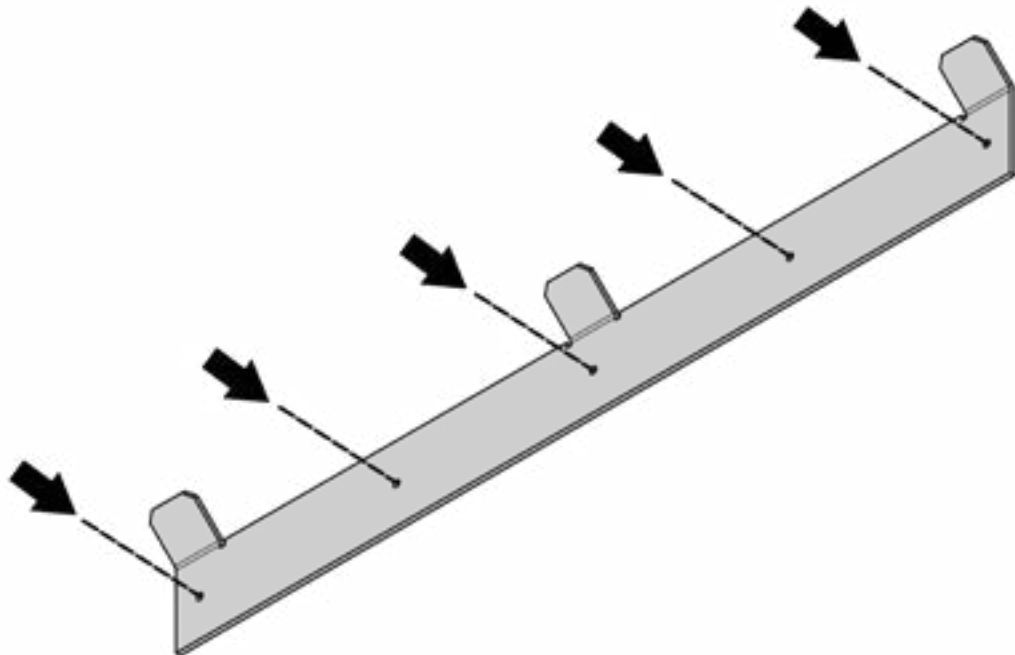
1

Remove the bottom transit brackets, and side brace bars. Then screw on the top mounted brackets, and the IEC Clip on the back right.



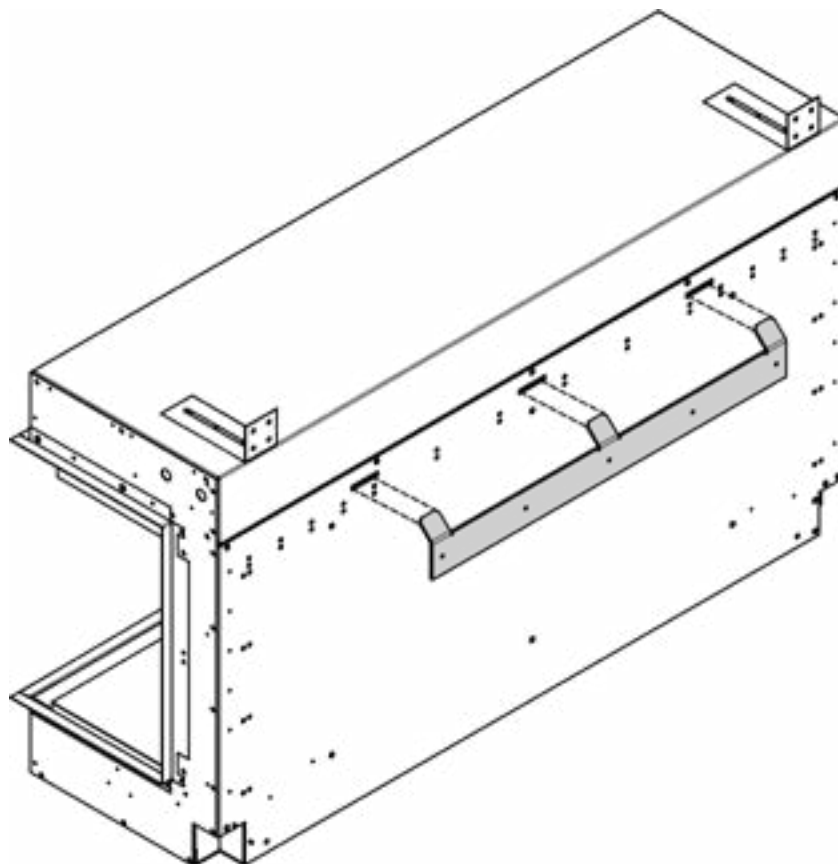
2

Determine the finished height and position that you want the appliance to be located. Then secure the wall bracket to the wall in the position you need using the wall plugs and screws provided. If you're not securing the appliance to a masonry wall you will need to use the appropriate fixings.



3

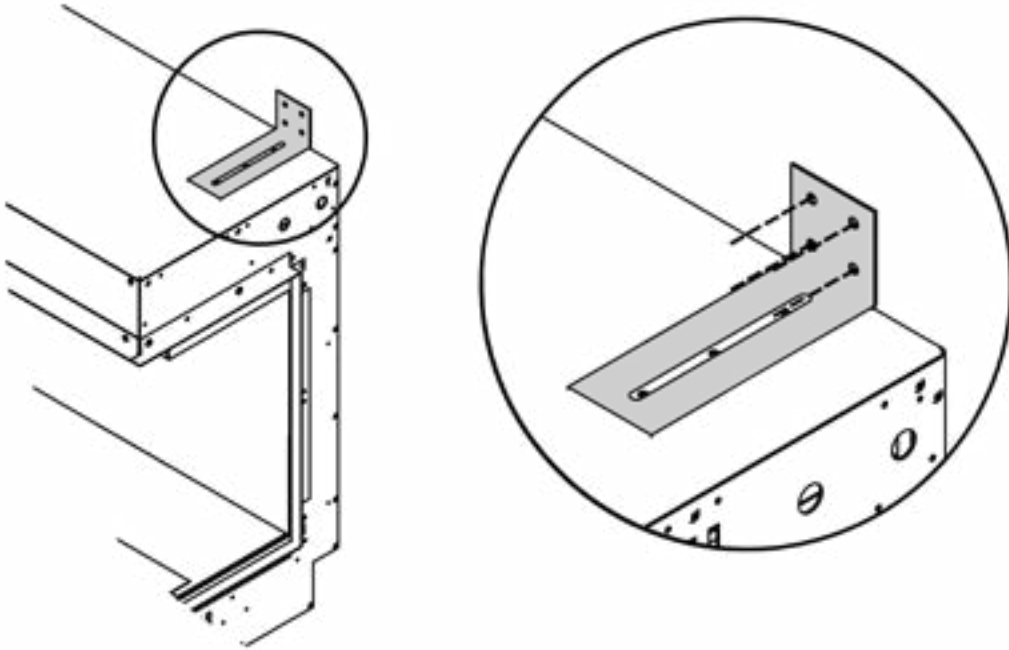
You can now hang the appliance on the wall by slotting the tabs of the wall bracket into the slots on the back of the appliance. If you are installing an E1800, E2400, Avesta, Asta or Karlstad you will need to provide extra support for the appliance.





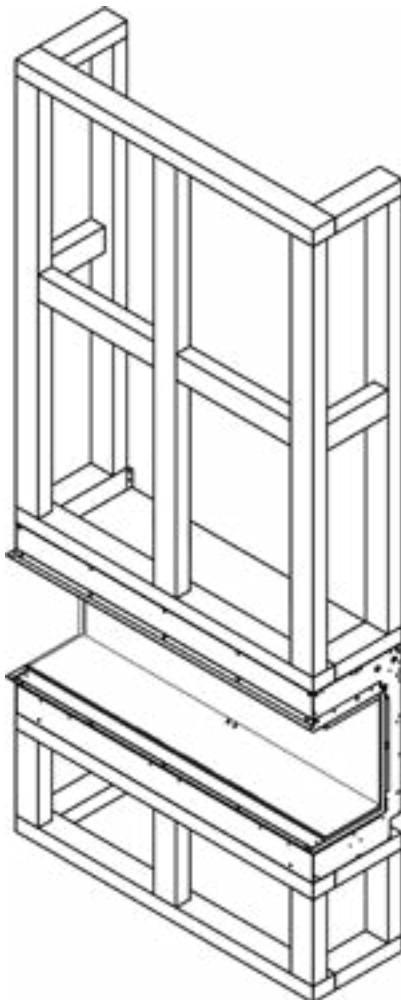
4

Screw the two top mounted brackets to the wall.



5

You can now construct your stud wall/s around the appliance in the design of your choosing.



When constructing the studwork, remember that the vents on the underside of the appliance need a minimum of 50mm clearance beneath them.

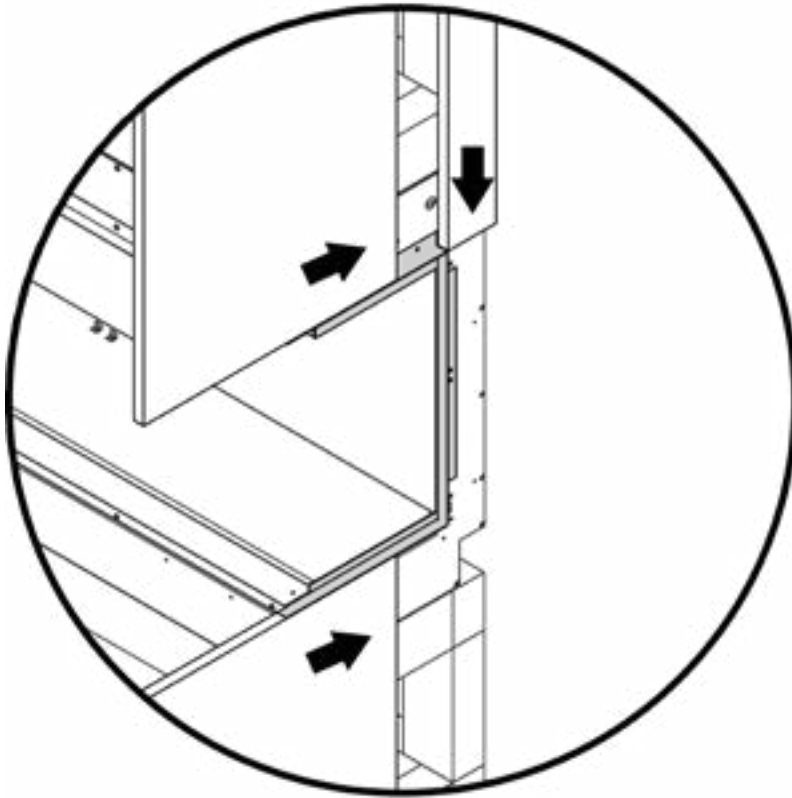
Ensure that the appliance isn't supporting the weight of the studwork.

Do not use silicones, adhesives, or wet plaster to seal in the appliance.

Before plasterboarding in the appliance it is recommended that you create a maintenance hatch for future access.

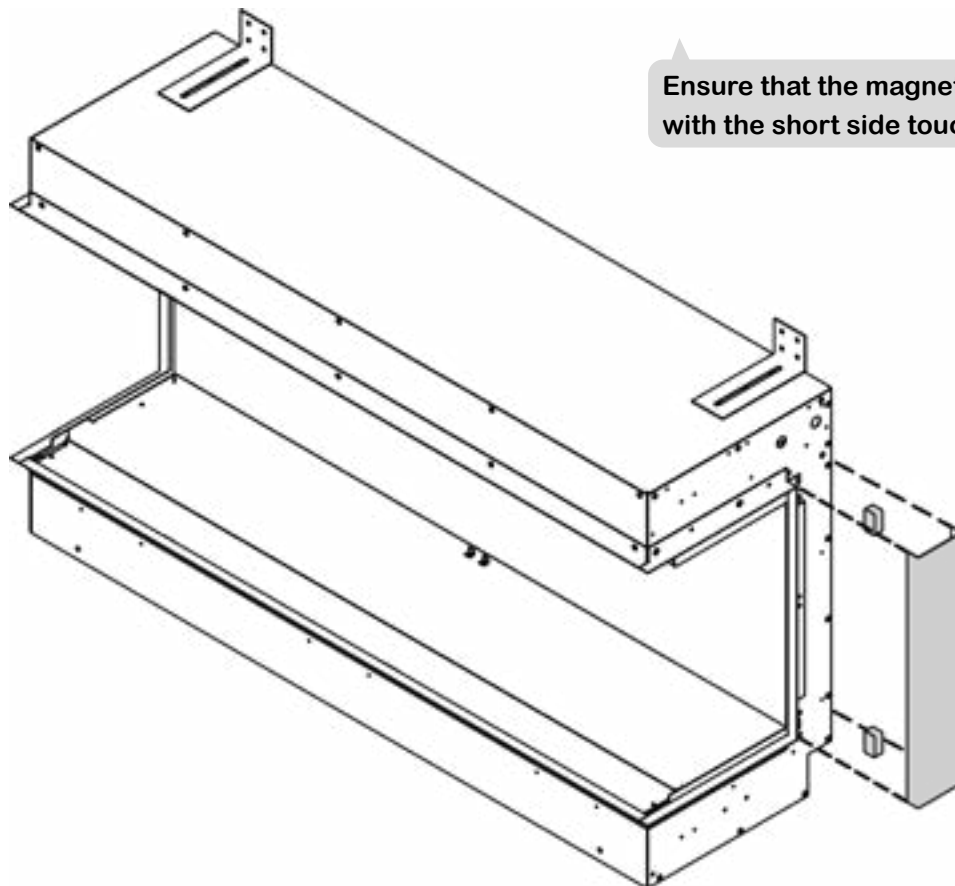
6

Your plasterboard can now line up with the plaster kits on the edge of the appliance.



7

Alternatively, the chrome side panels can be attached to the case with the magnets as shown below.



Ensure that the magnets are positioned with the short side touching the case.

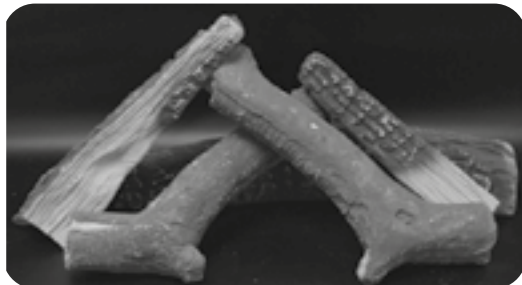
---

# LOG LAYOUTS

---

## LOG LAYOUTS

When you have your appliance installed you can set up your log set/s. If your model comes with Chippings, Glass Stones and/or Vermiculite lay this on the fuel bed first, then continue with laying out your logs. There is no right or wrong way to arrange your logs, the following images are an example of how you could lay them out.



1 x Small Woodland / Silver Birch E500



3 x Twig Log Set Woodland / Silver Birch Novaro  
2 x Twig Log Set Woodland / Silver Birch Elore / Alente  
1 x Twig Log Set Woodland / Silver Birch + 1 x Small Log Set Romina / Attora



2 x Twig Set for Skara / Malmo



2 x Small Woodland / Silver Birch E800



1 x Large Woodland / Silver Birch E1030 / E1250



2 x Large Woodland / Silver Birch E1500



3 x Large Woodland / Silver Birch E1800



**4 x Large Woodland / Silver Birch**  
E2400



**1 x Medium Split Woodland / Silver Birch**  
Tyrell



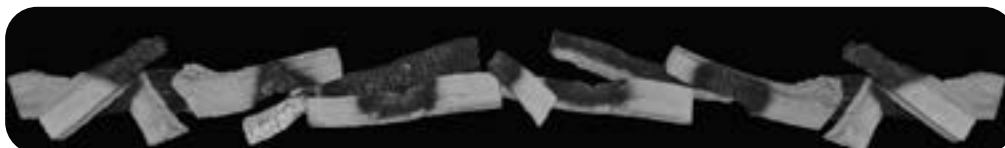
**1 x Small Split Woodland / Silver Birch**  
Exor / Kiruna / Motala



**2 x Small Split Woodland / Silver Birch**  
Asta / Avesta



**1 x Large Split Woodland / Silver Birch**  
Linnea / Lita



**1 x Small Split Woodland / Silver Birch & 1 x Large Split Woodland / Silver Birch**  
Karlstad

---

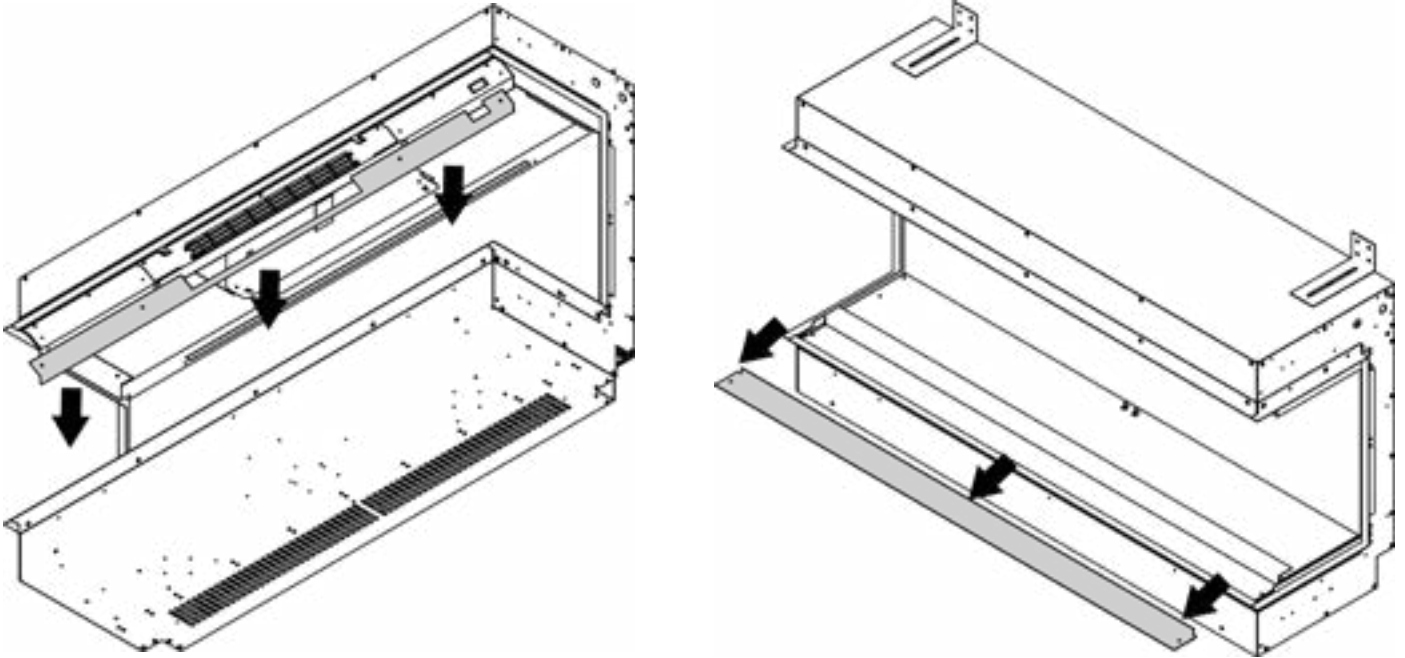
# INSTALLING THE SIDE GLASS PANELS

---

## INSTALLING THE SIDE GLASS PANELS

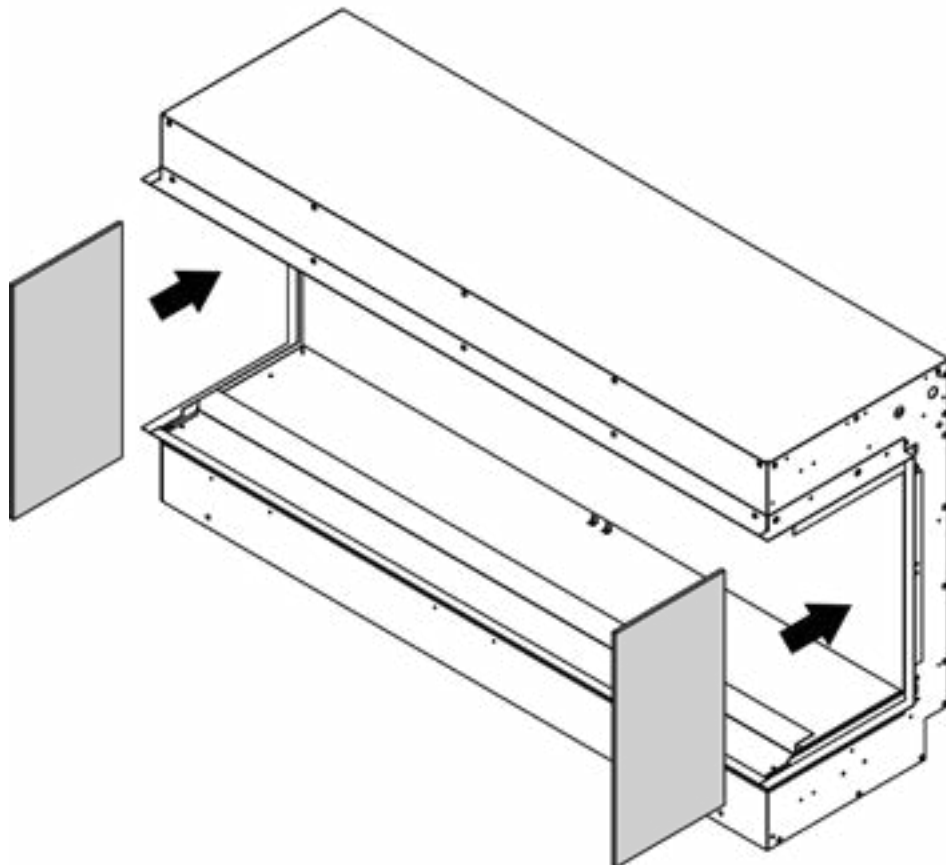
1

Unscrew and remove the top and bottom glass retainer panels.



2

Slide in the side glass pieces.



---

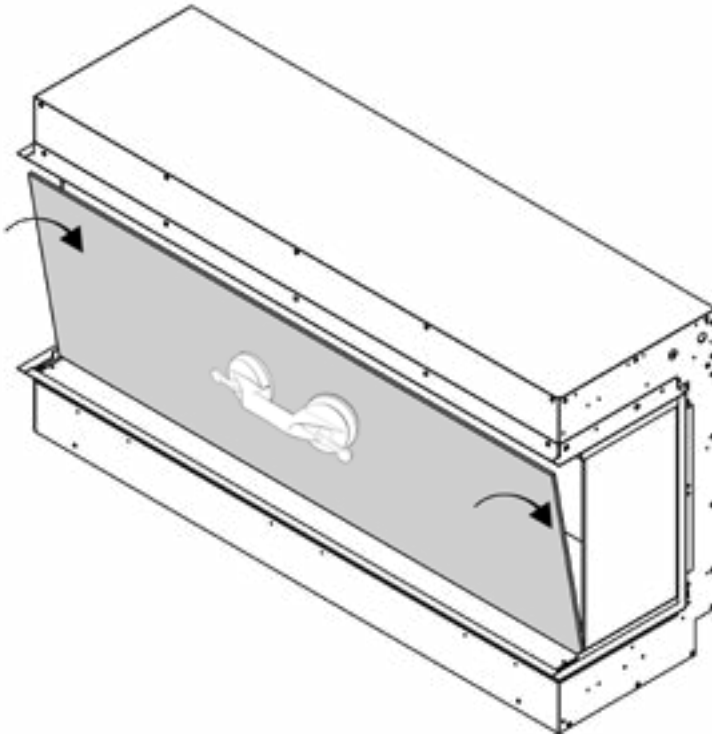
# INSTALLING THE FRONT GLASS PANEL

---



# INSTALLING THE FRONT GLASS PANEL

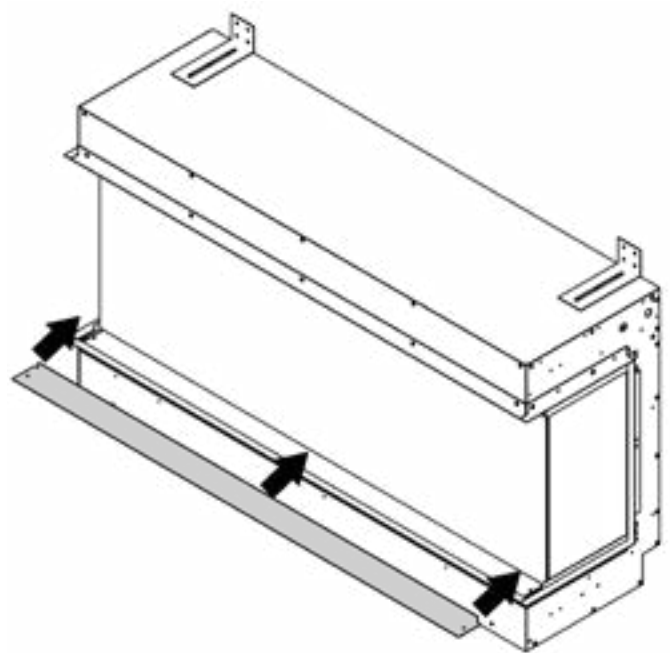
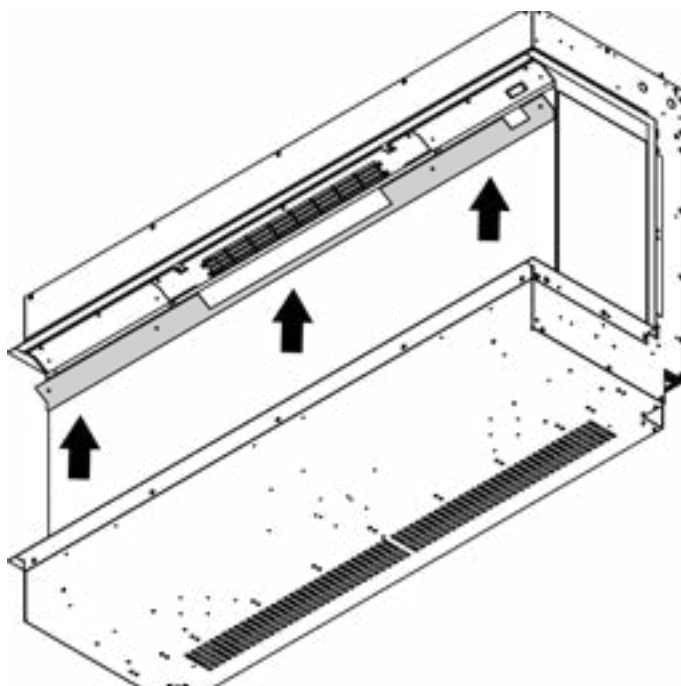
Apply the Suction Lifter to the glass and position the bottom edge of the glass first, then pivot the glass into the appliance.



**Warning**  
The Suction Lifter is provided to assist in moving the glass **NEVER** as the sole support of the glass. Always support the glass throughout the entire process until the glass is fully fitted. The glass is toughened safety glass and if broken will shatter into many small chunks.

On Skara and Malmo models the glass is fixed at an angle.

Then replace the top and bottom glass retainers.



---

# TROUBLESHOOTING

---

### Evoflame Only



#### LED Strip Replacement

Scan the QR code to be taken to a video in our maintenance series.

Please note; this video shows an old method of removing the front glass panel. Refer to page 24 of this instruction manual for the new method.



#### Fan Re-setting & Replacement

Scan the QR code to be taken to a video in our maintenance series.

Please note; this video shows an old method of removing the front glass panel. Refer to page 24 of this instruction manual for the new method.



#### Heater Access & Replacement

Scan the QR code to be taken to a video in our maintenance series.

Please note; this video shows an old method of removing the front glass panel. Refer to page 24 of this instruction manual for the new method.



### E-Smart Only

#### E-Smart LED Replacement

Scan the QR code to be taken to a video in our maintenance series.

Please note; this video shows an old method of removing the front glass panel. Refer to page 24 of this instruction manual for the new method.

## REPORT A FAULT



If you have any difficulties or problems with your appliance then please get in touch so that we can assist you. Please scan the QR code to be taken to our websites Report a Fault page, we will then be in touch with you shortly.

## WARRANTY

If this appliance should prove to be defective due to faulty design, materials or workmanship within 12 months of purchase, the product will be repaired free of charge, subject to the following conditions:

The electric fire shall have been purchased and used solely within the UK and Ireland for domestic purposes and in accordance with the Users operating instructions.

It is the purchasers responsibility to prove that the unit is under warranty, e.g. receipt of purchase.

All warranties, will be invalidated if unauthorised repairs or modifications are made to the electric fire, or in case of accident, misuse or damage caused by improper installation, or to damage occurring during transit to or from the repairer and altered or missing serial numbers.

Any parts, which have been replaced under this warranty, shall become our property.

The company shall not be liable for any consequential loss or damage what so ever, arising from or in connection with this electric fire.

This Warranty does not apply to Heating elements, Bulbs or fuses.

'No fault found', service calls and installation errors are not covered under the manufacturers warranty and will result in a charge being made for the Call-Out by our appointed service engineer.

This warranty is in addition to and does not affect the purchasers statutory rights of consumers.

## REGISTER YOUR FIRE

To register a product please visit: [www.evonicfires.co.uk](http://www.evonicfires.co.uk) and complete the fields required under the Register a Product Section. By registering your appliance, an extra 12 months will be added to your warranty.

### CK Fires Ltd / Evonic Fires

1, Evonic House, Clifford Park, Clifford Lane,  
Stratford-on-Avon, CV37 8HW

Tel: +44 (0)1789 263868 Fax: +44 (0)1789 293080

Email: [sales@evonicfires.co.uk](mailto:sales@evonicfires.co.uk)

[www.evonicfires.co.uk](http://www.evonicfires.co.uk)

Follow us on:

Instagram | Facebook | Twitter | LinkedIn

@evonicfires