

# evonicfires



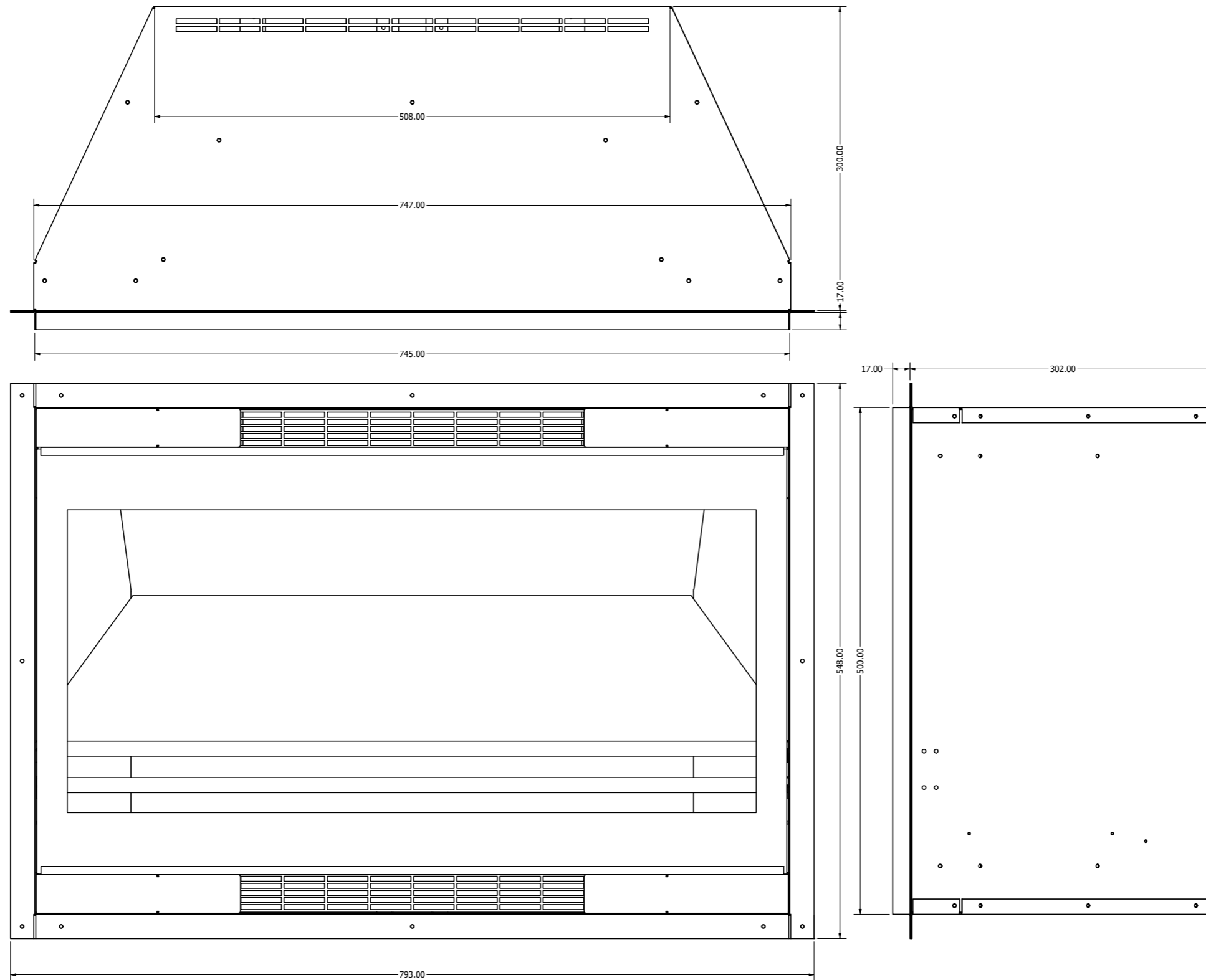
Built-Ins specification booklet

# Contents

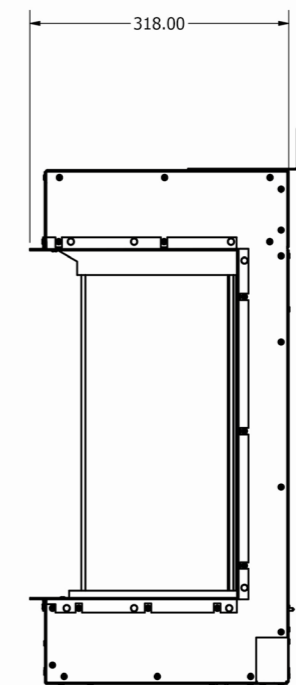
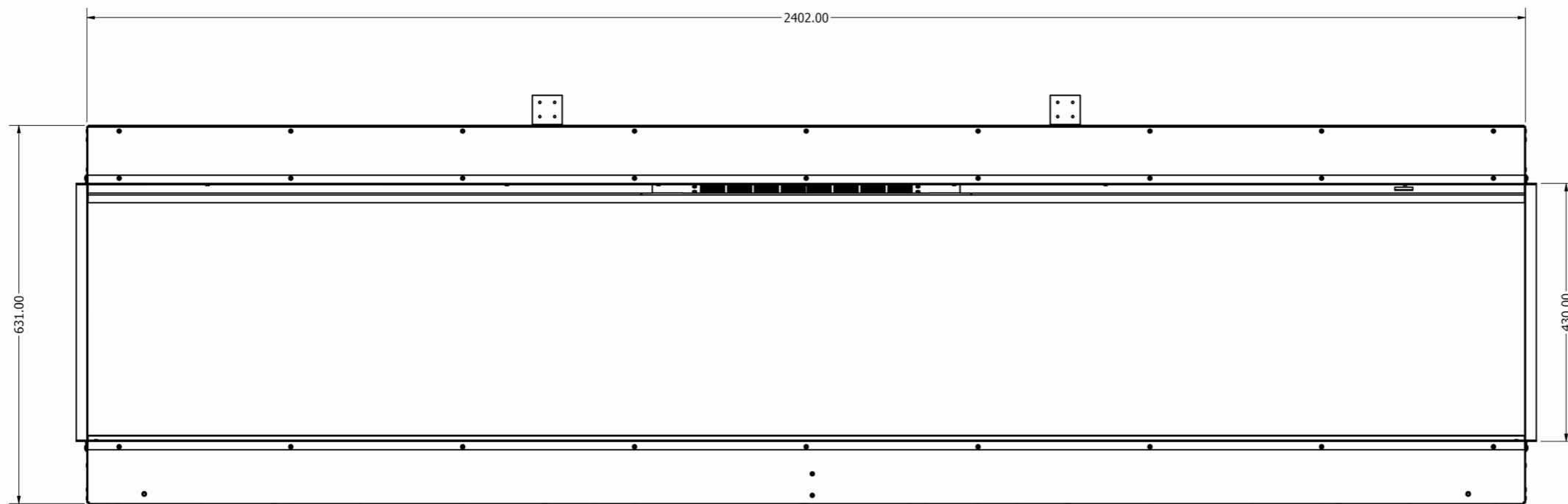
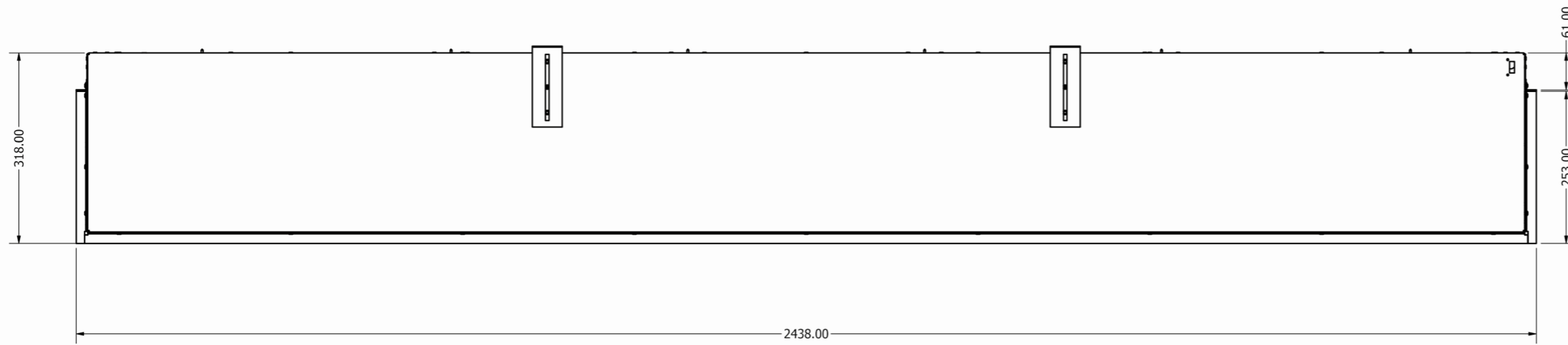
E-Ilusion 800	3
Karlstad/e2400	4
Avesta/e1800	5
Linnea/e1500	6
Kiruna/e1030/Valter	7
Lindstrom/e1030DS	8
Tyrell/e800	9
Motala/e1250	10
Newton 10/e1000	11
Newton 9/e900	12
Newton 7/e700	13
Newton 6/e600	14
Kallan/e730	15
Thoren/e630	16
e1560	17
e810	18
e810DS	19
e500	20
e710	21
e640	22



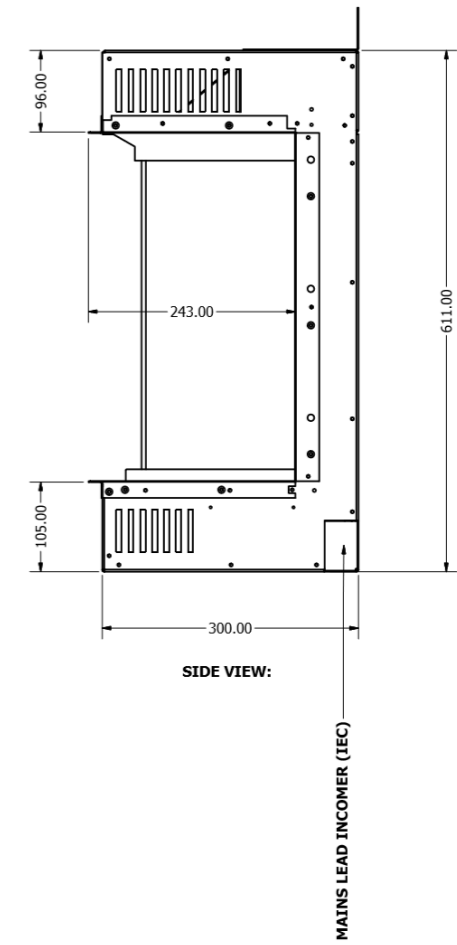
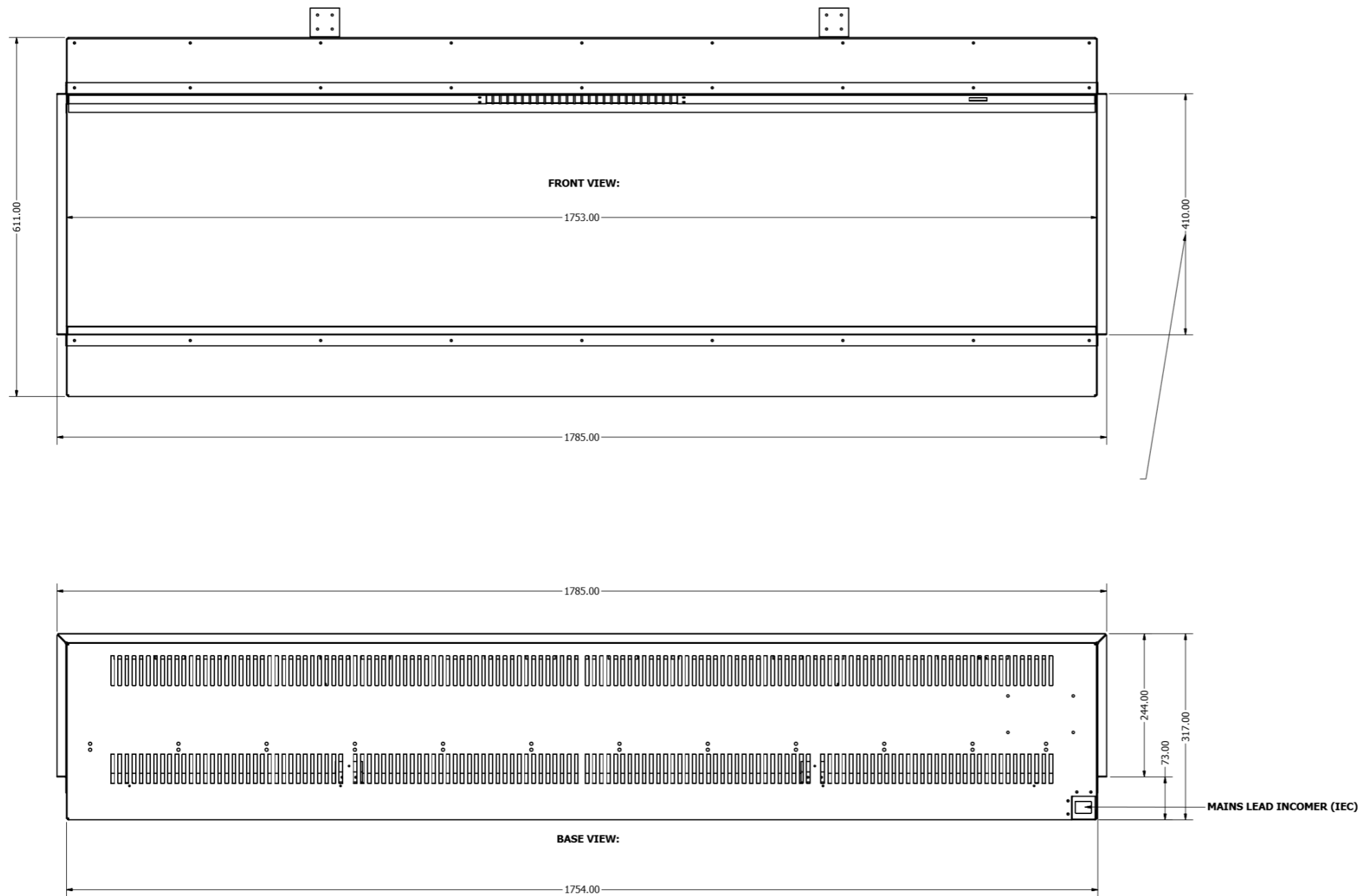
# E-Llusion 800

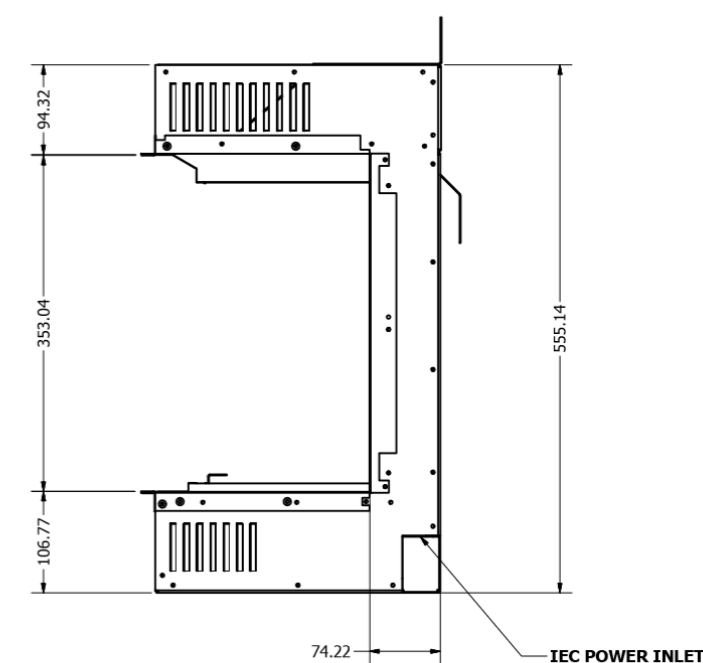
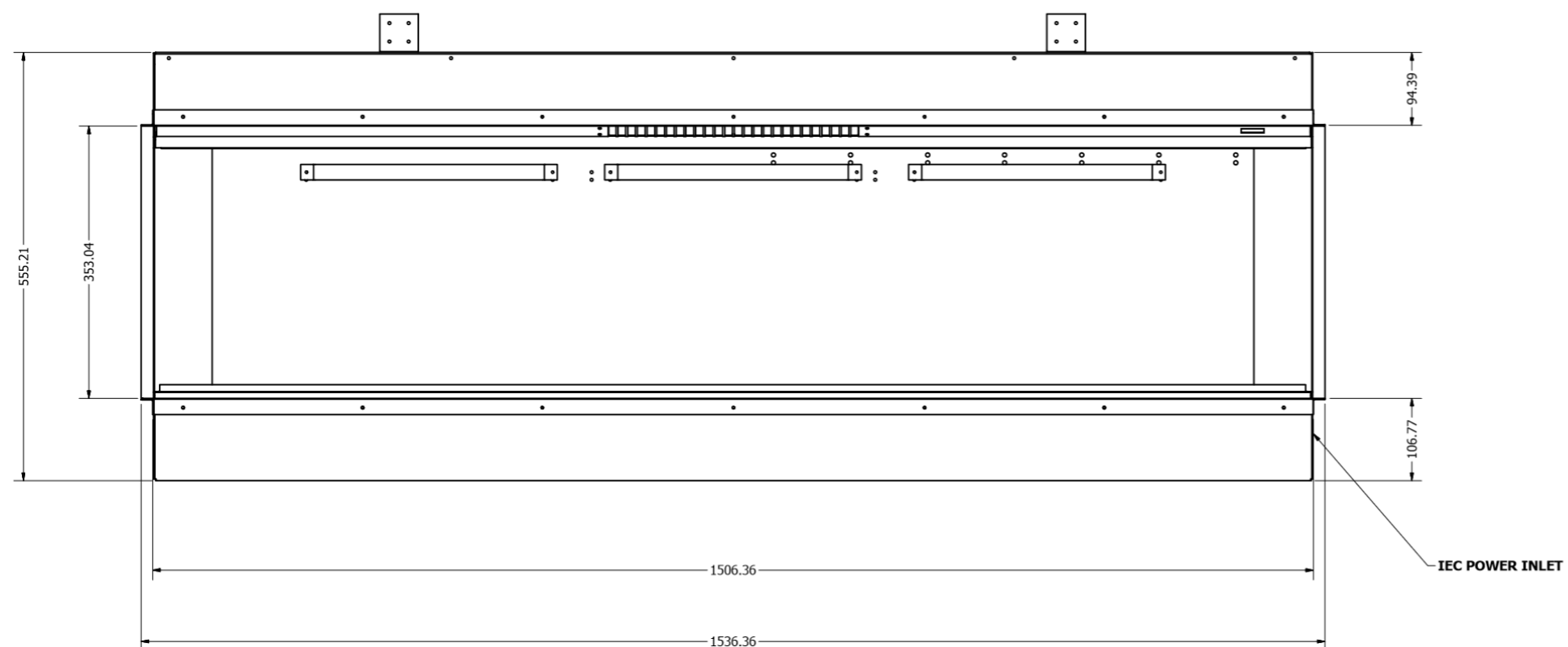
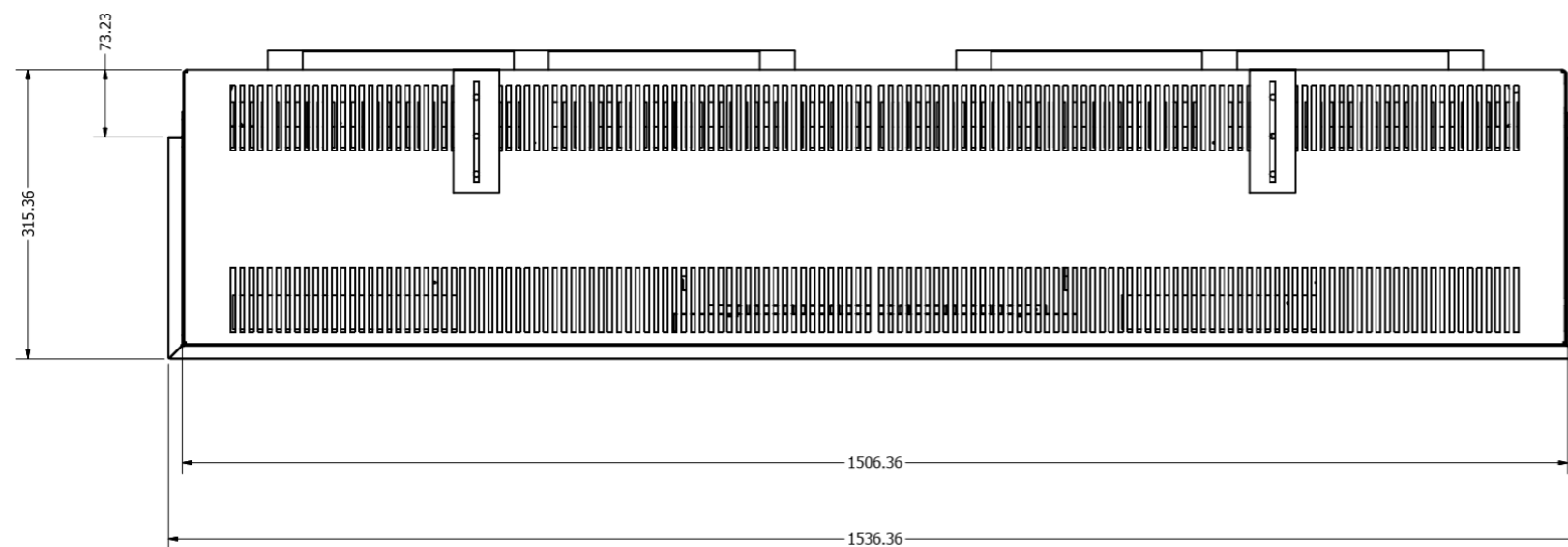


# Karlstad/E2400



# Avesta/E1800

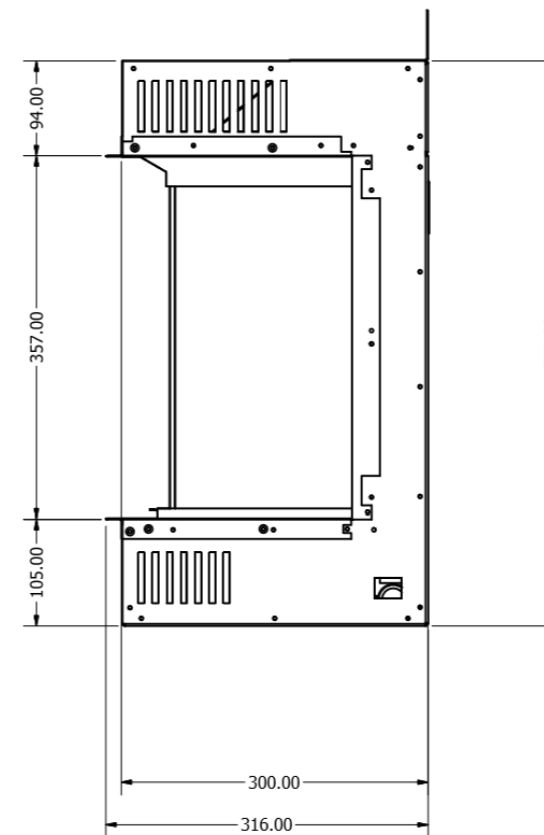
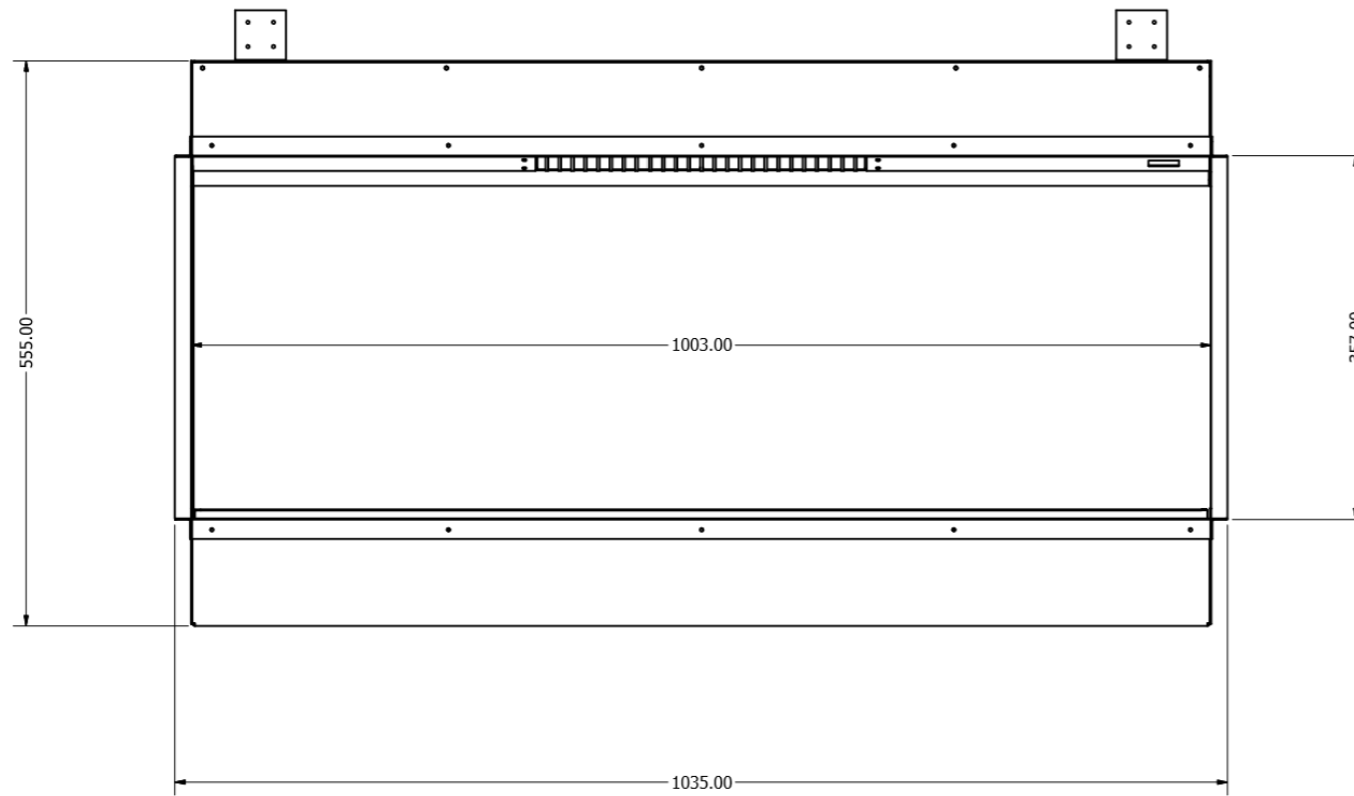
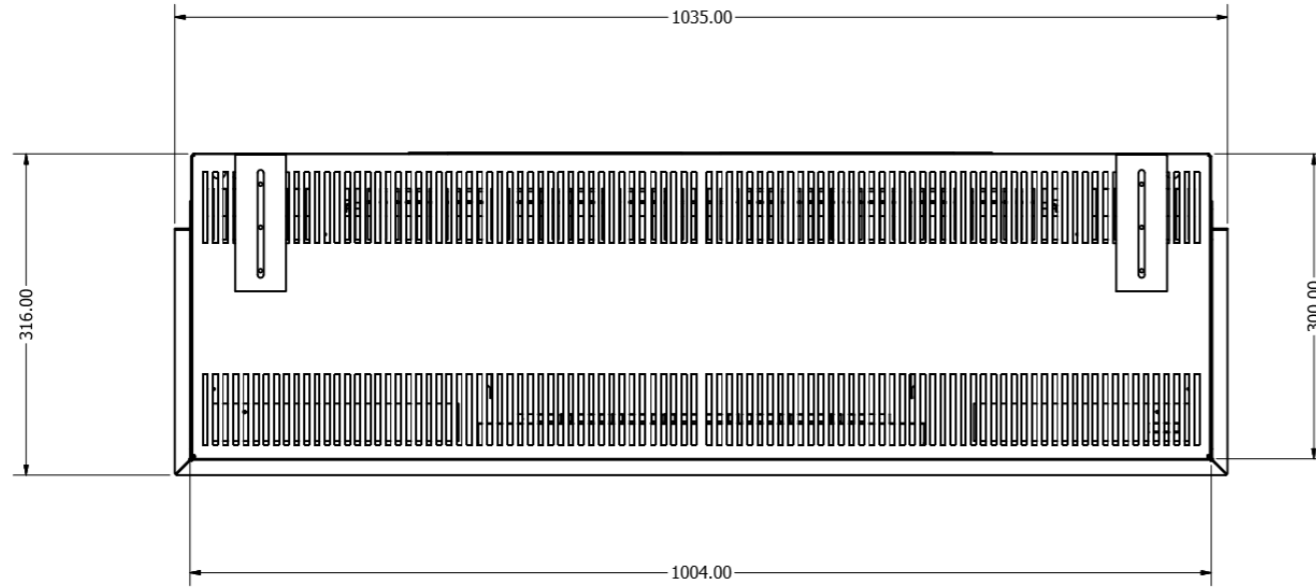




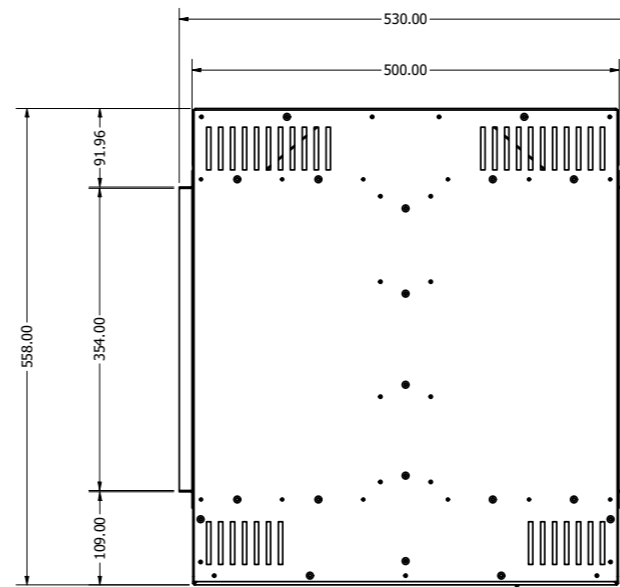
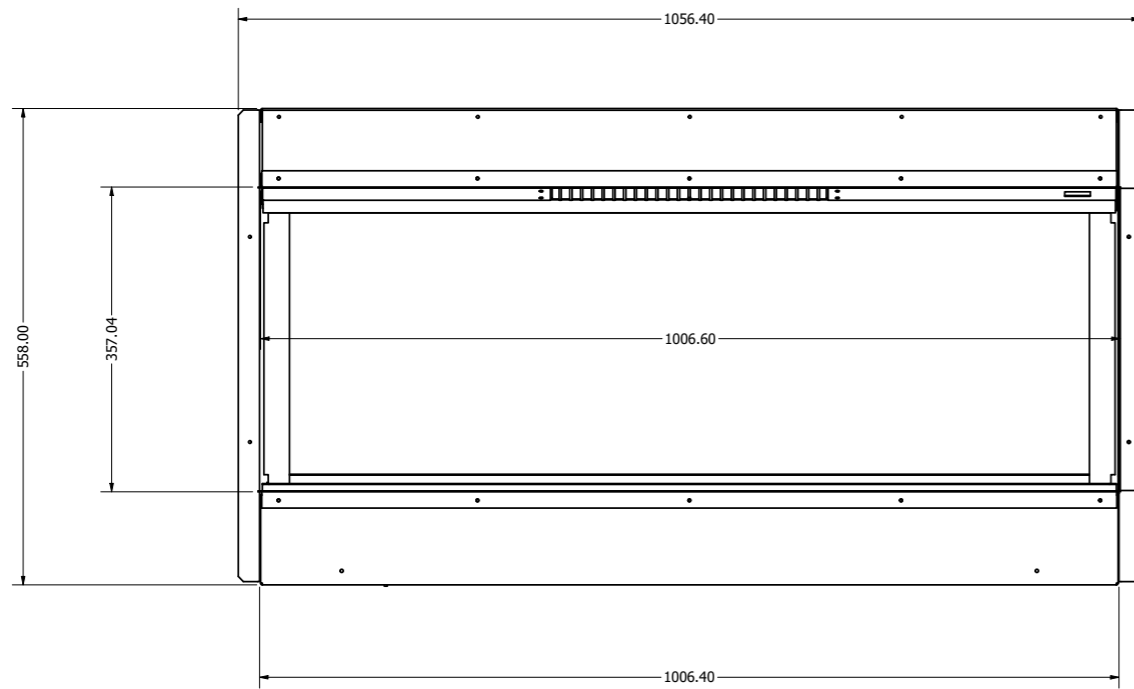
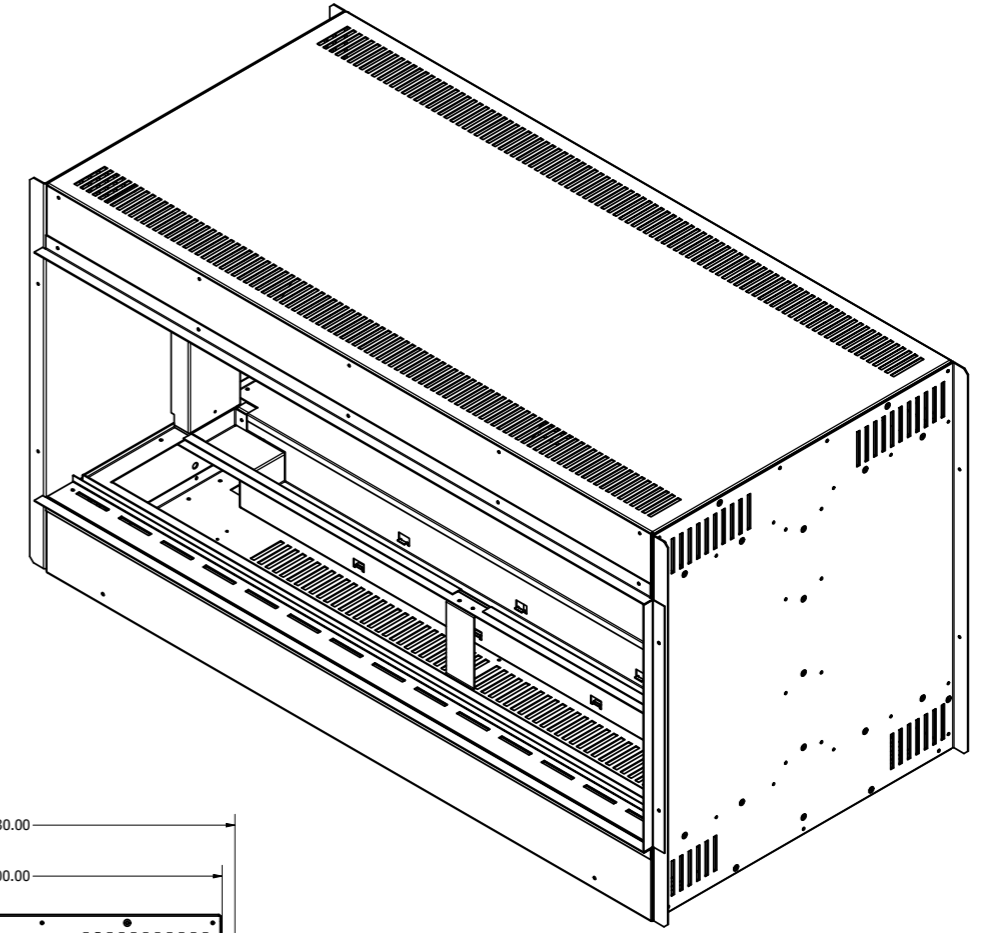
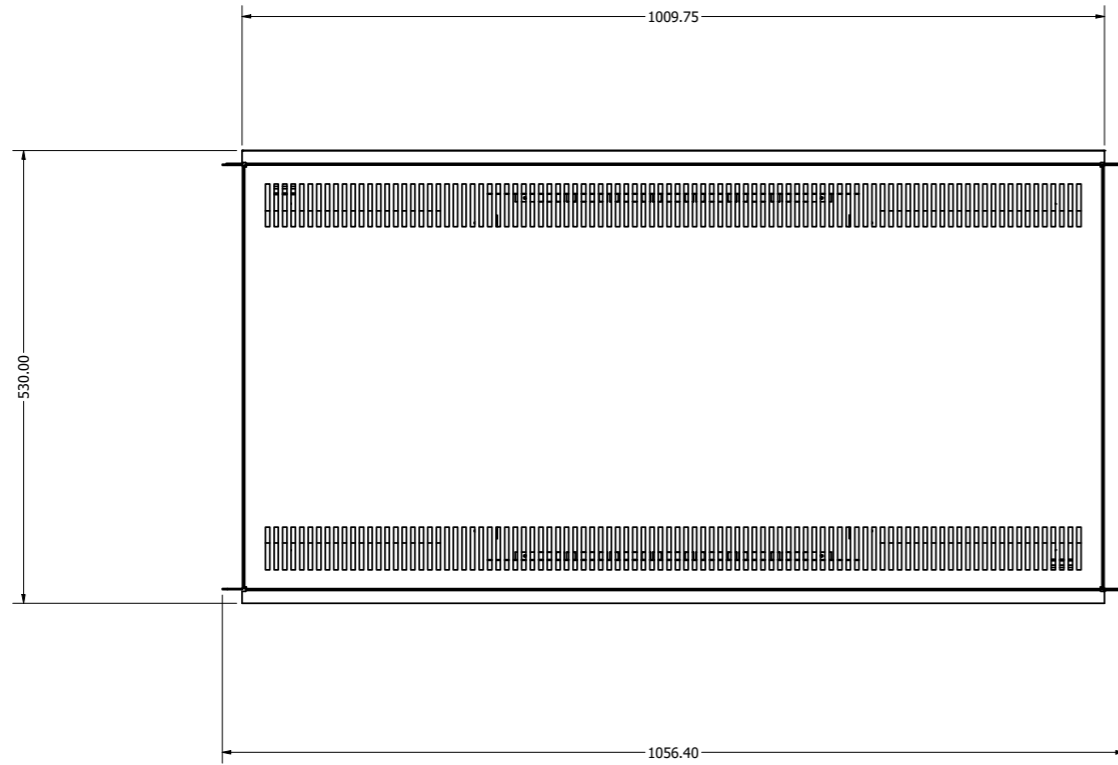
# Kiruna/E1030/Valter

KIRUNA WITH TILE WING

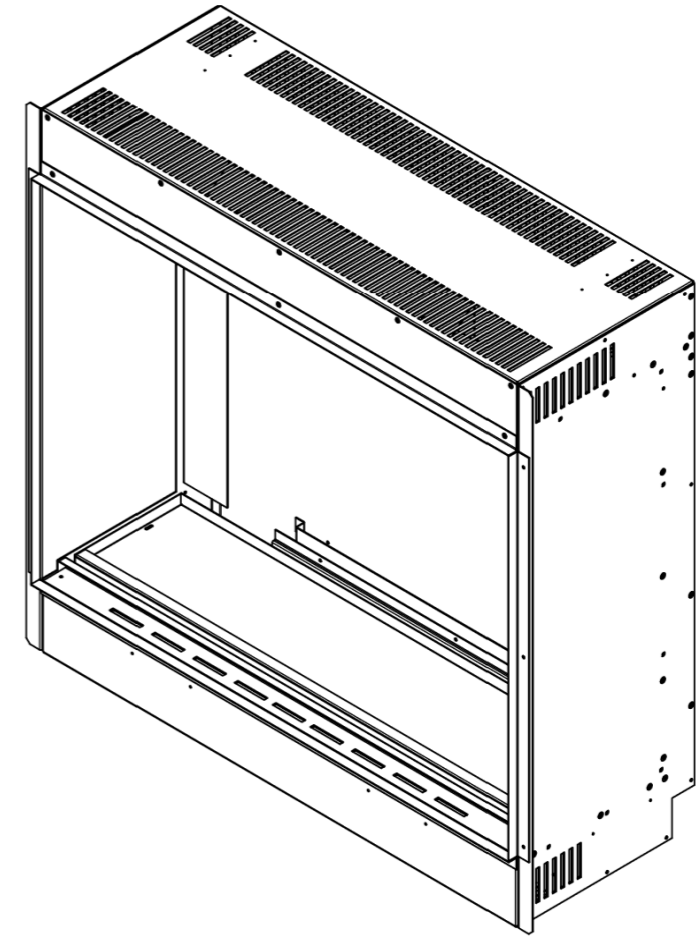
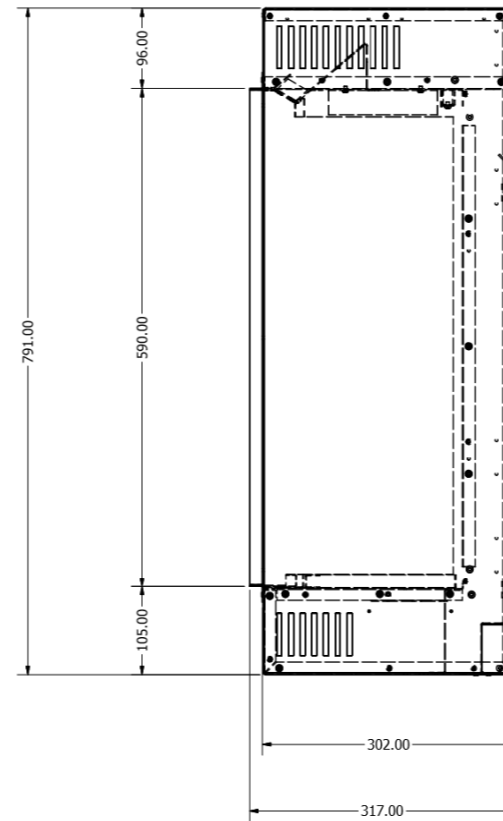
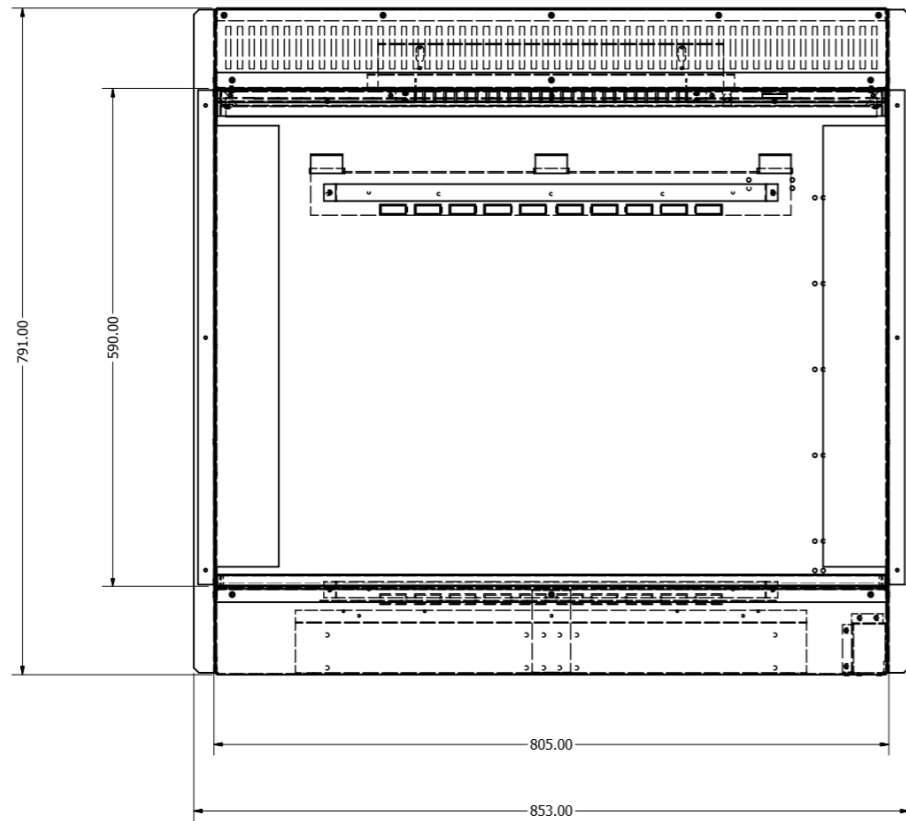
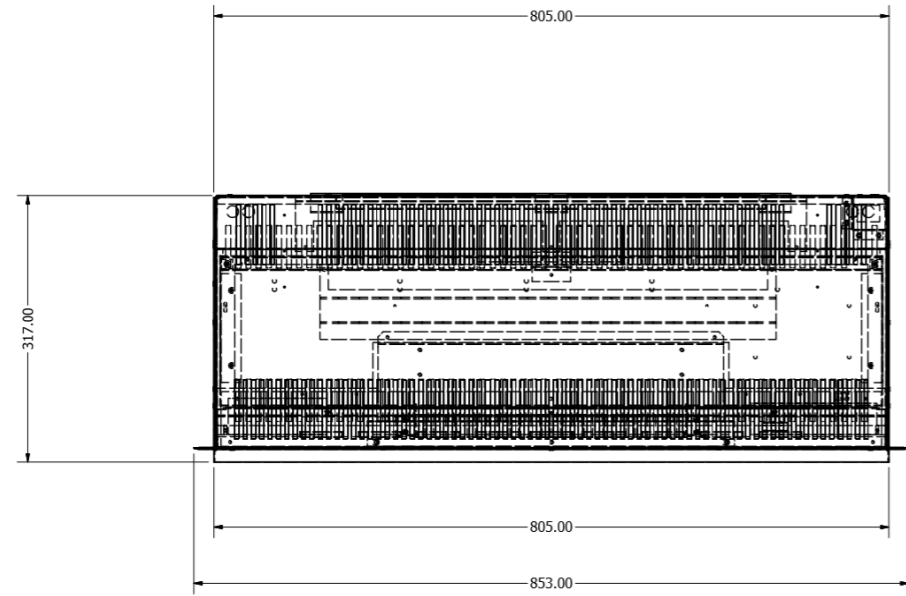
WIDTH - 1418mm  
HEIGHT - 570mm



# Lindstrom/E1030DS



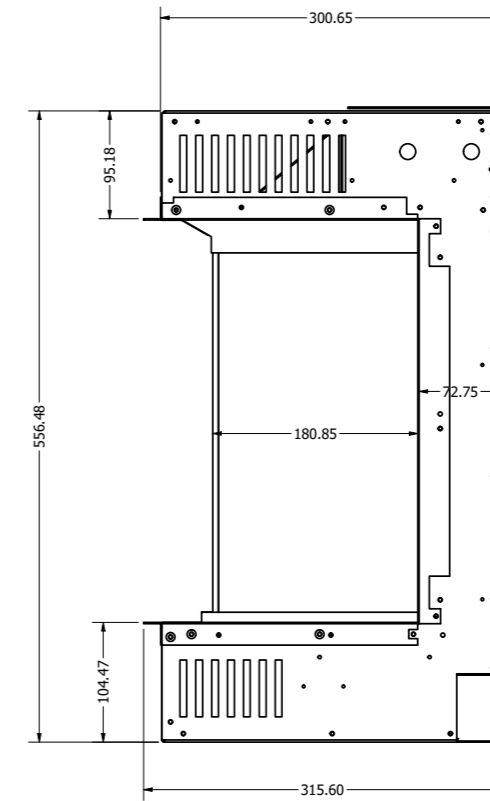
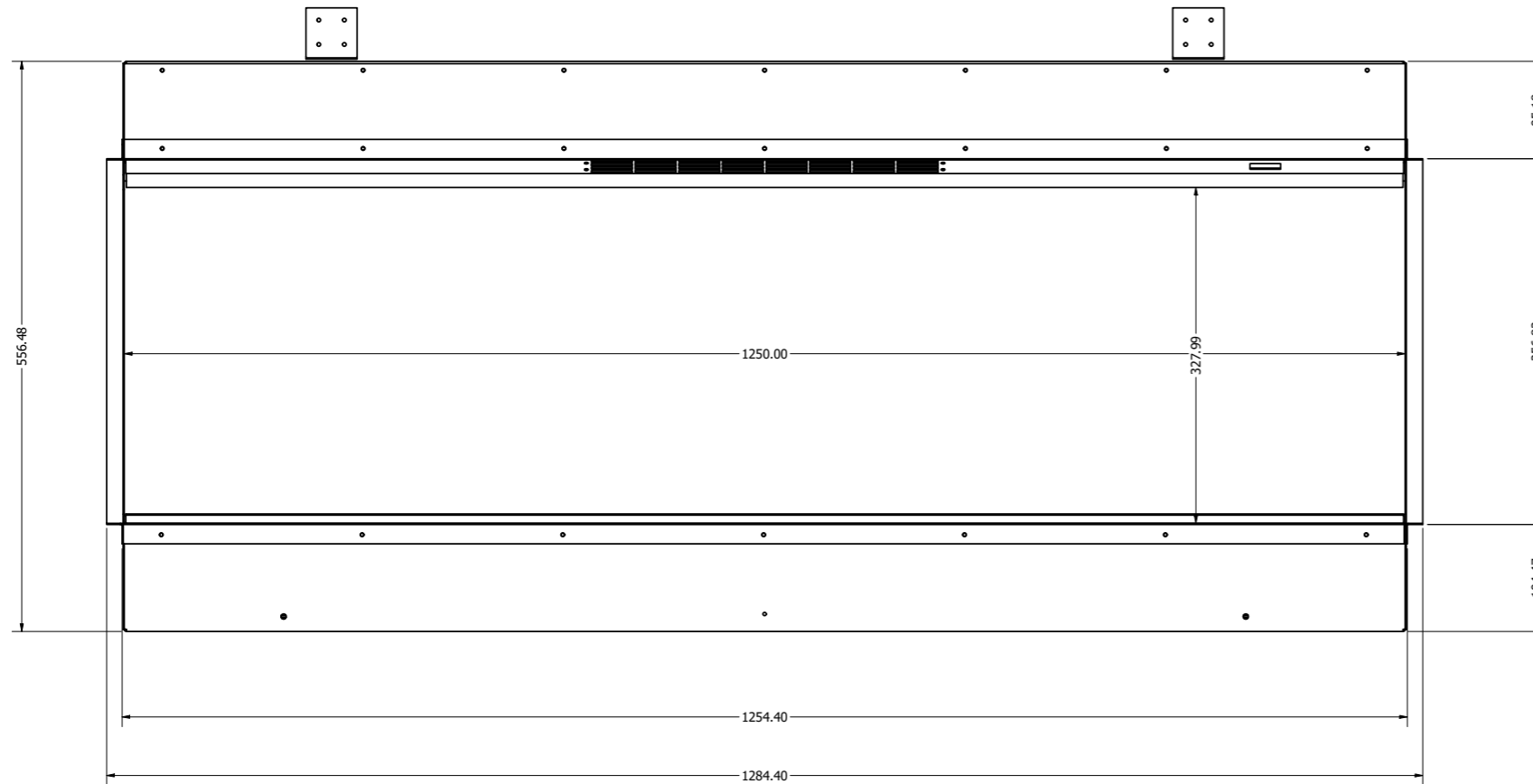
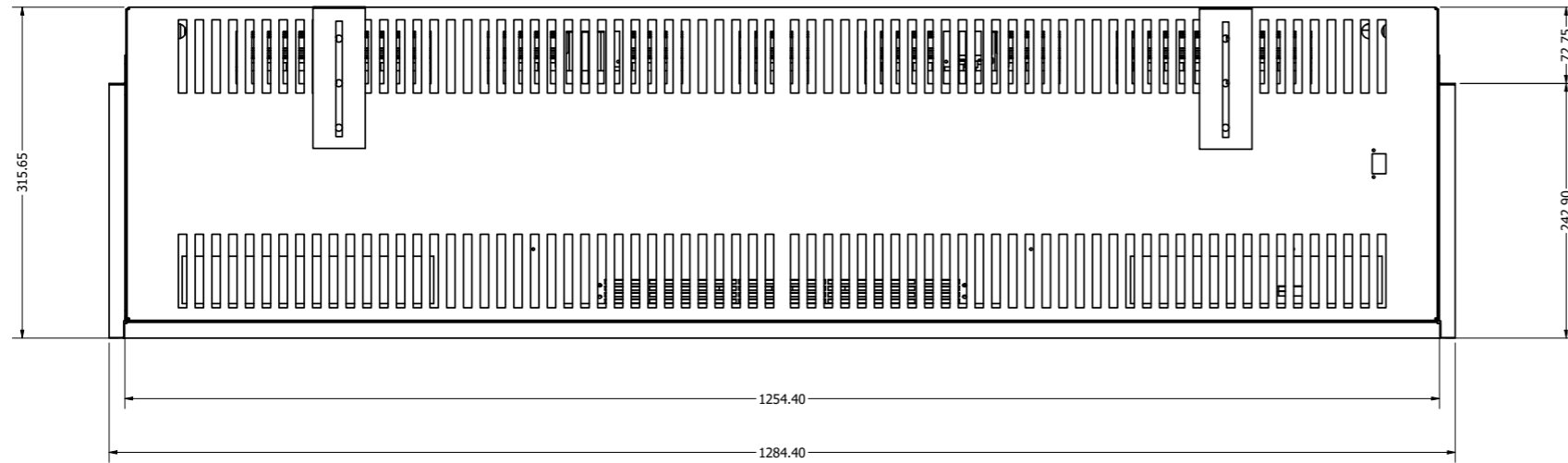




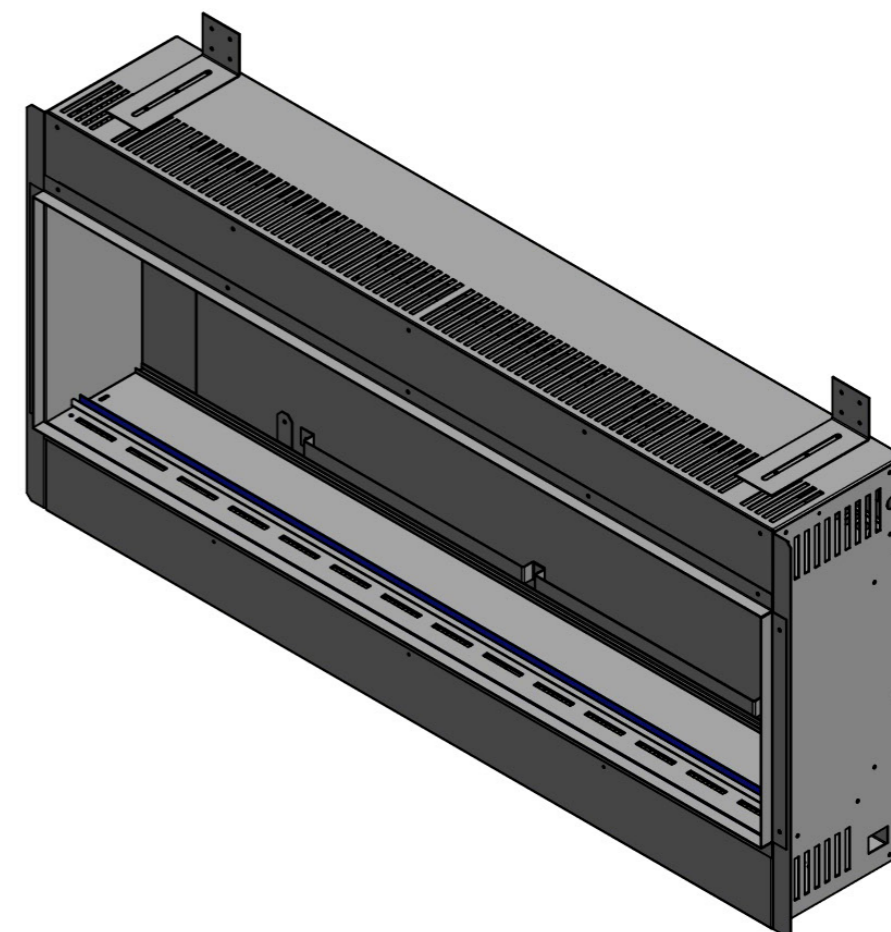
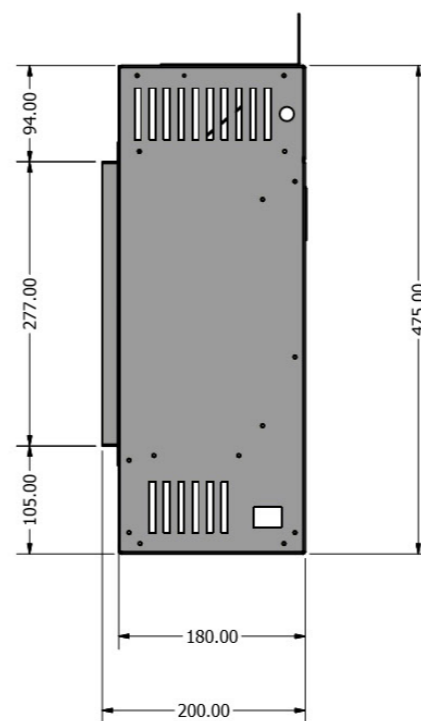
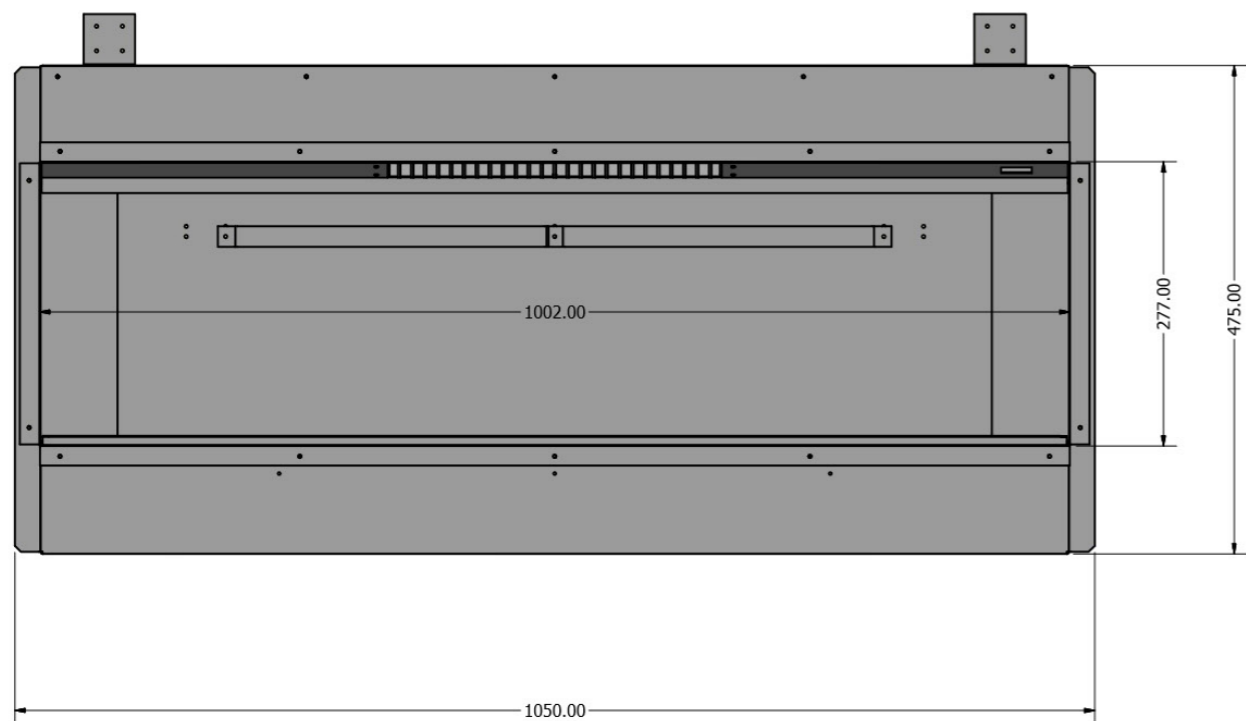
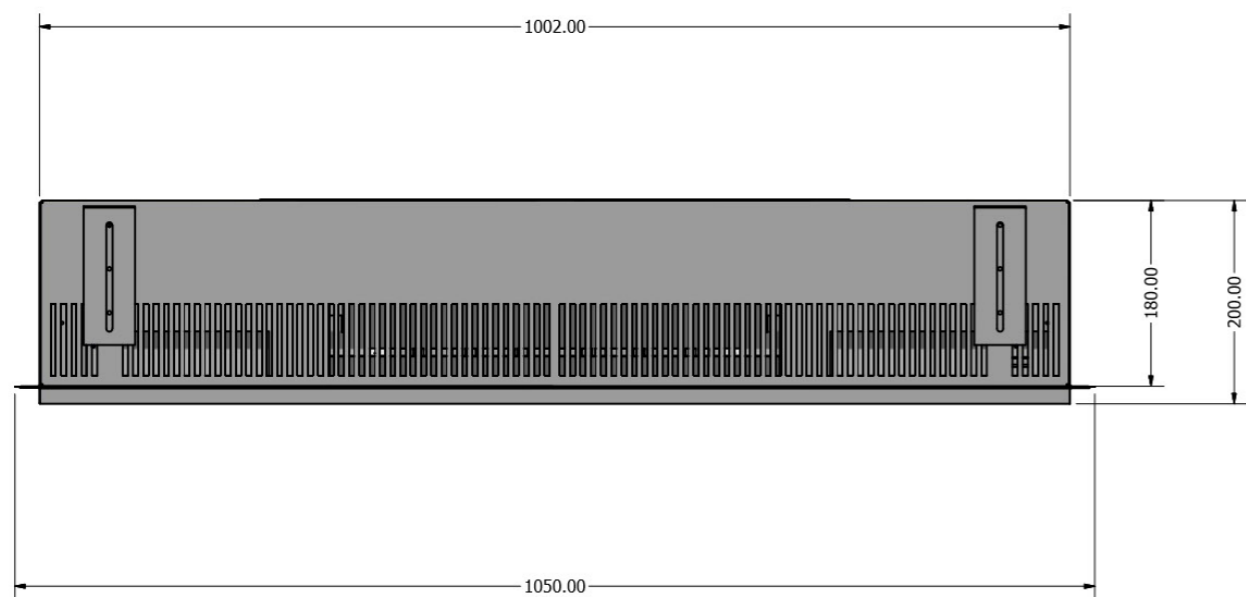
# Motala/E1250

## MOTALA WITH TILE WING

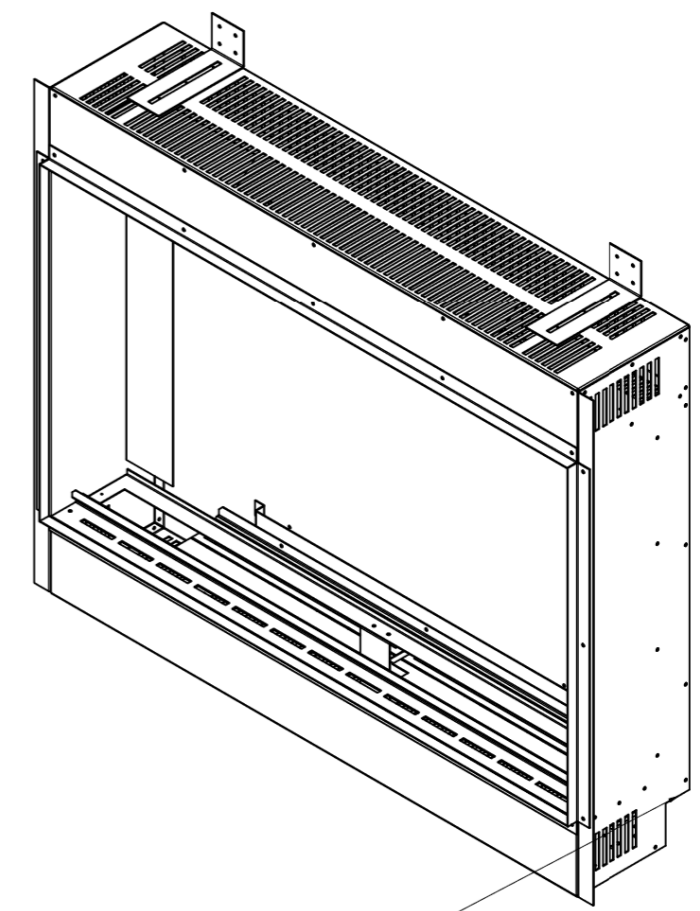
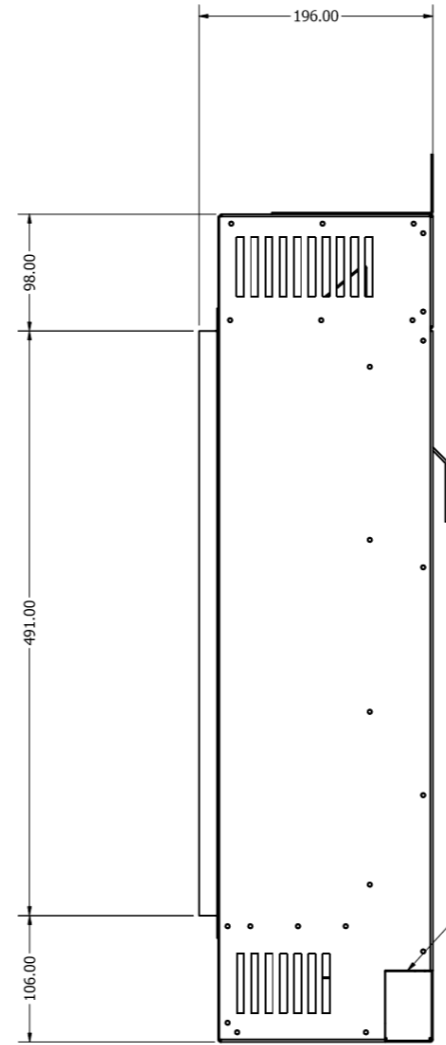
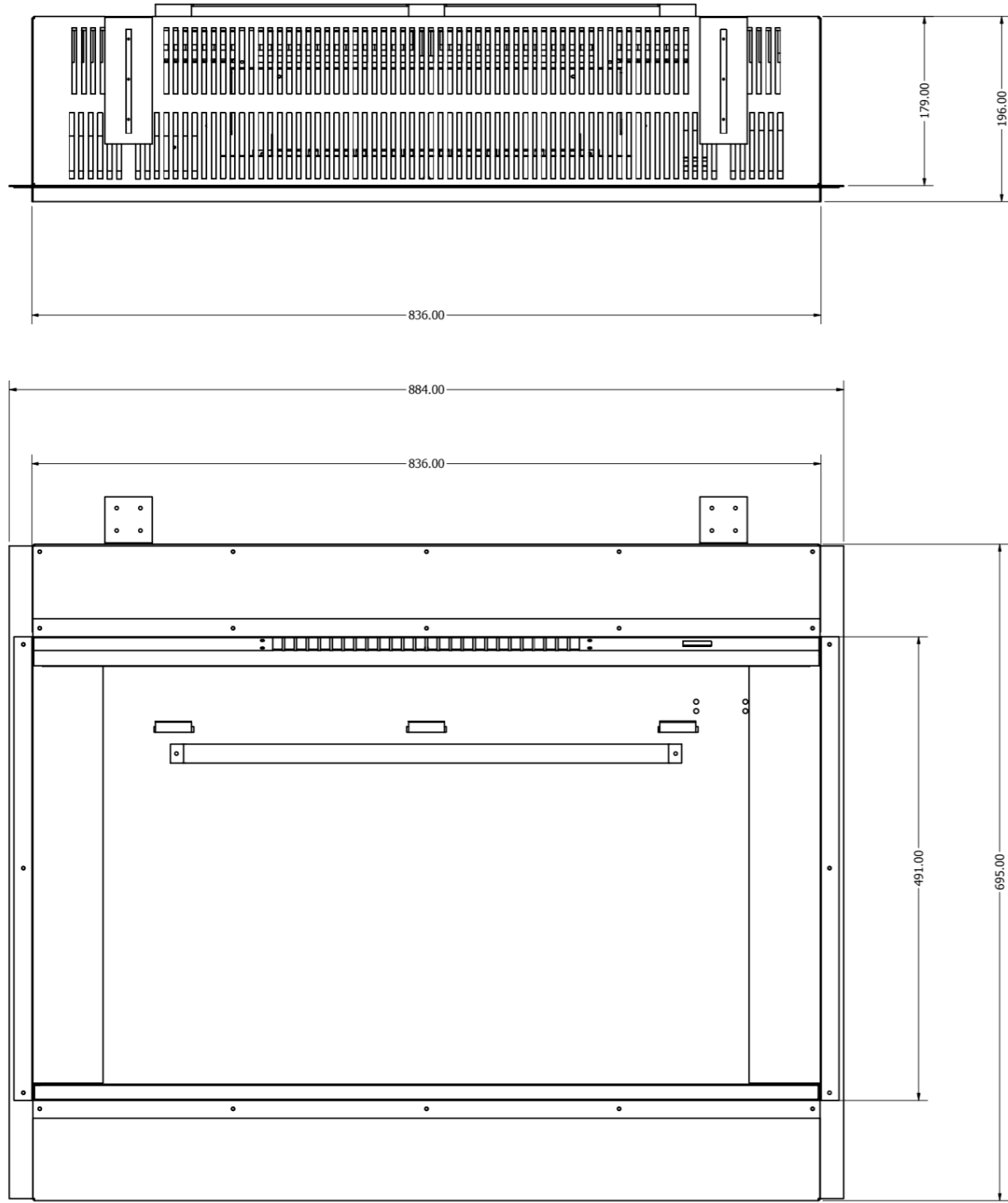
WIDTH - 1668mm



# Newton 10/E1000

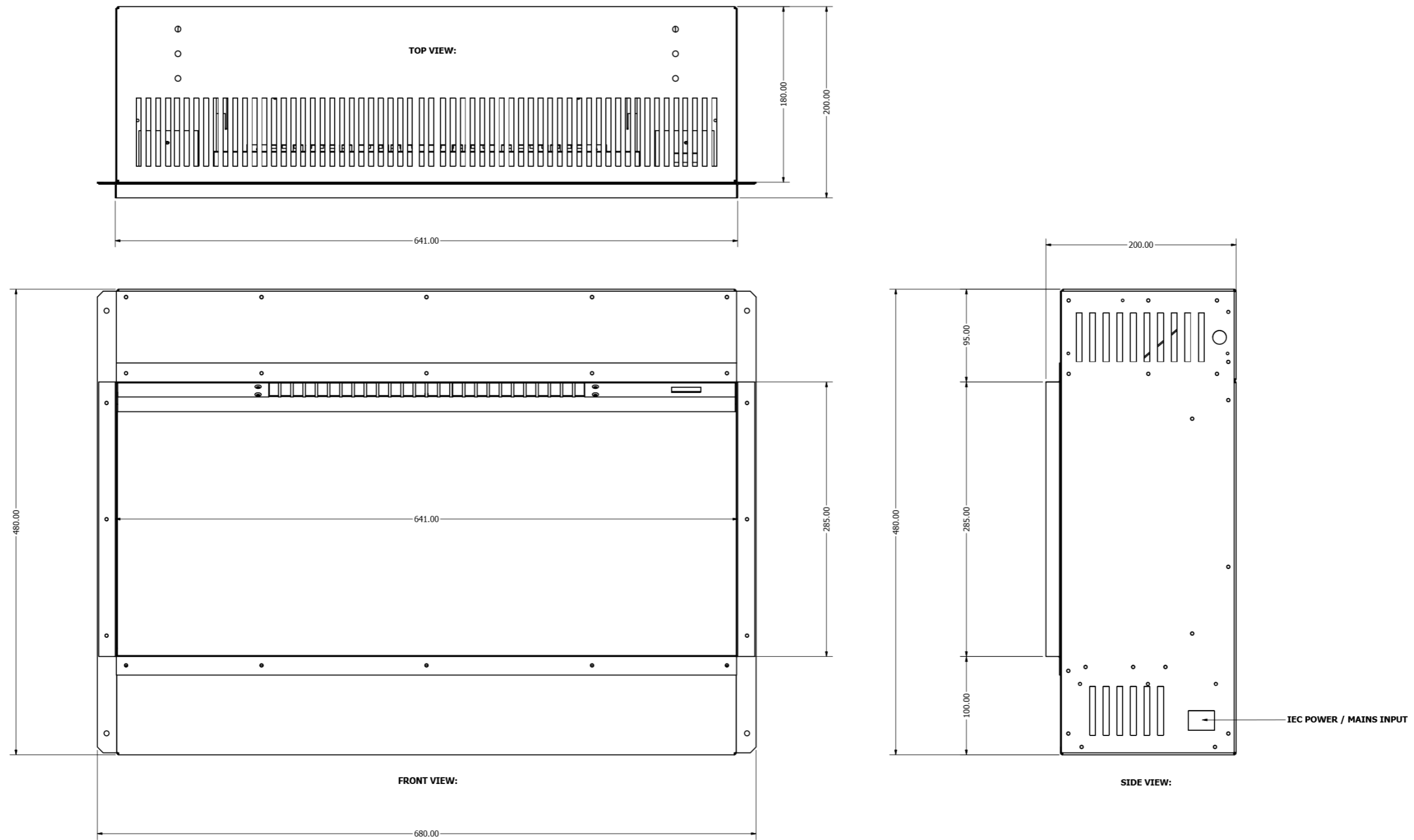


# Newton 9/E900

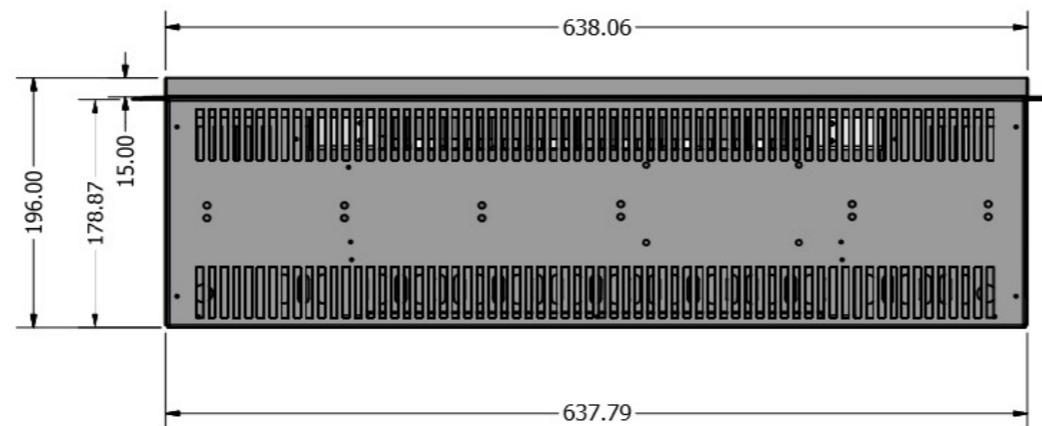
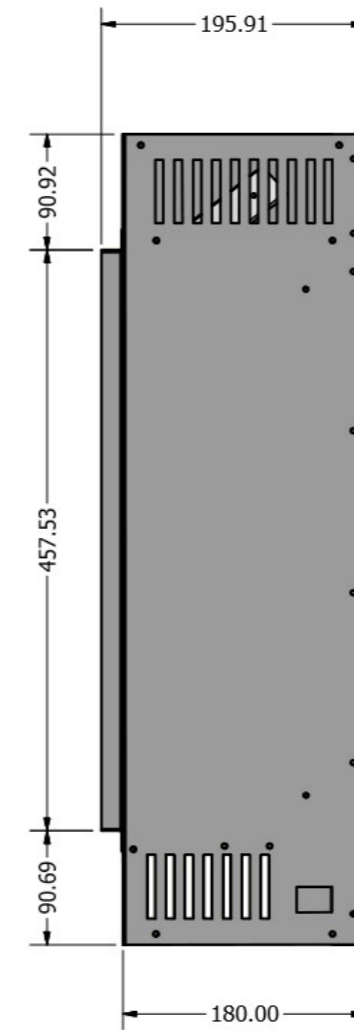
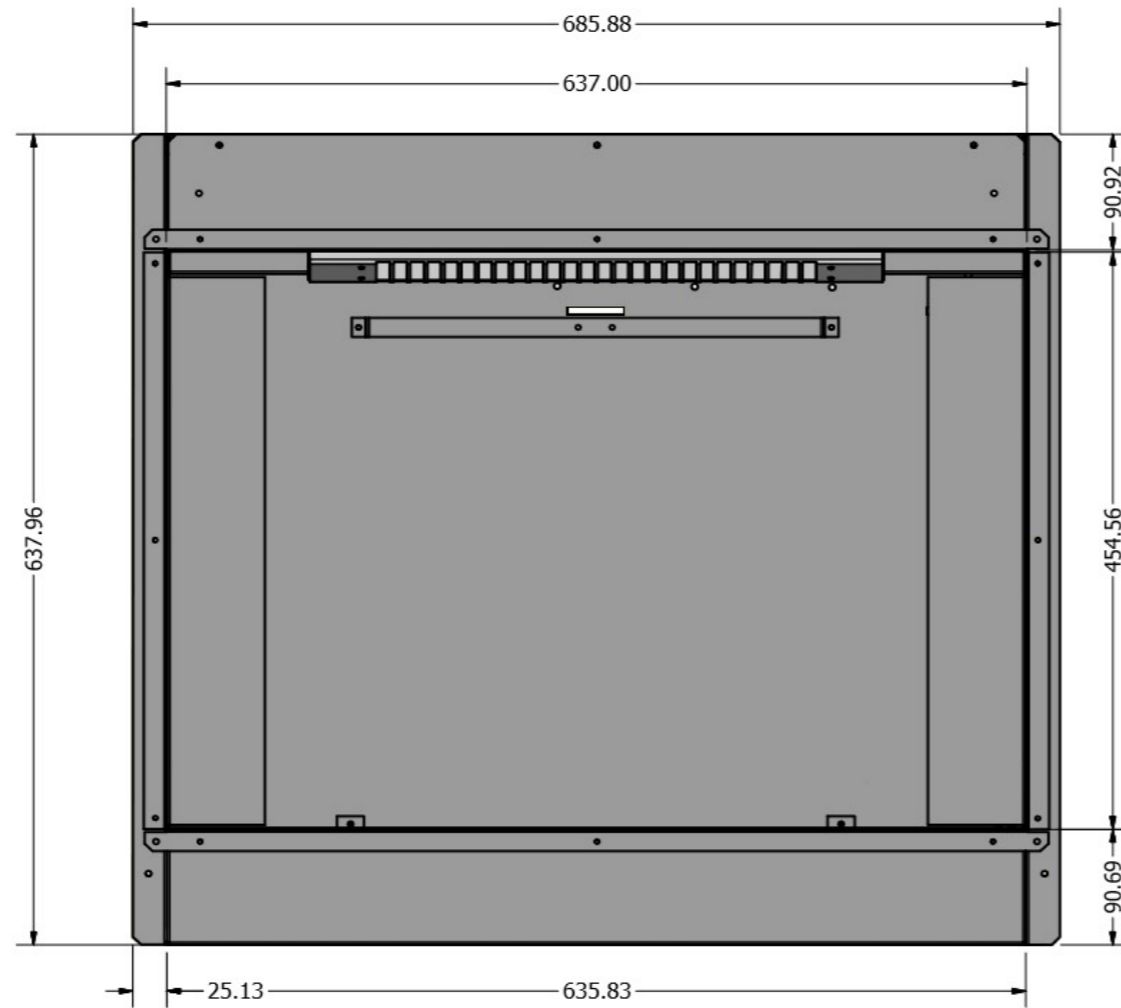


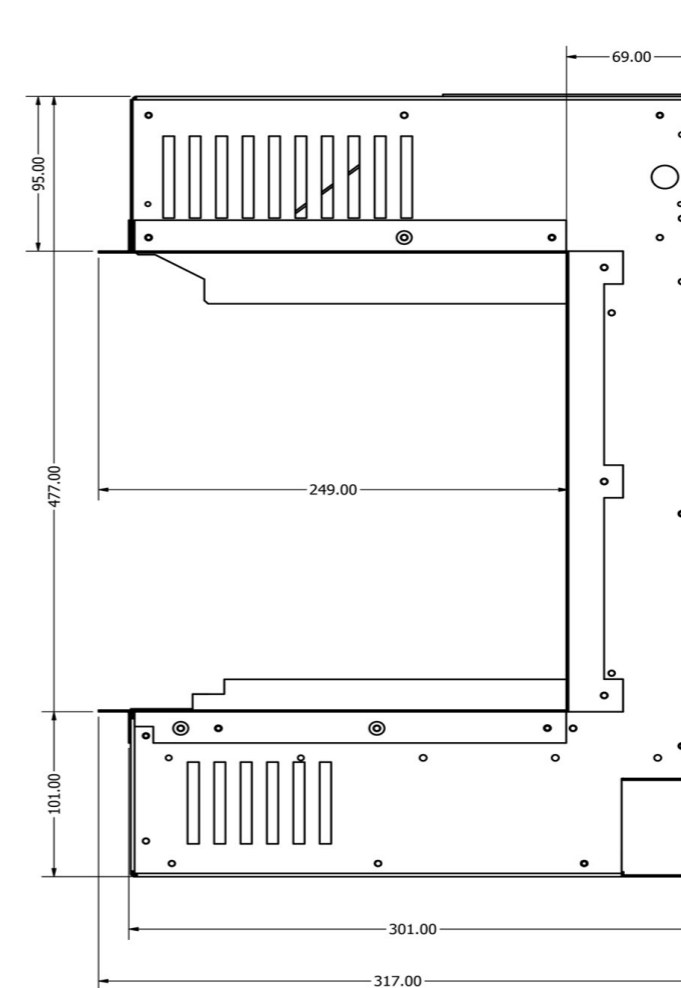
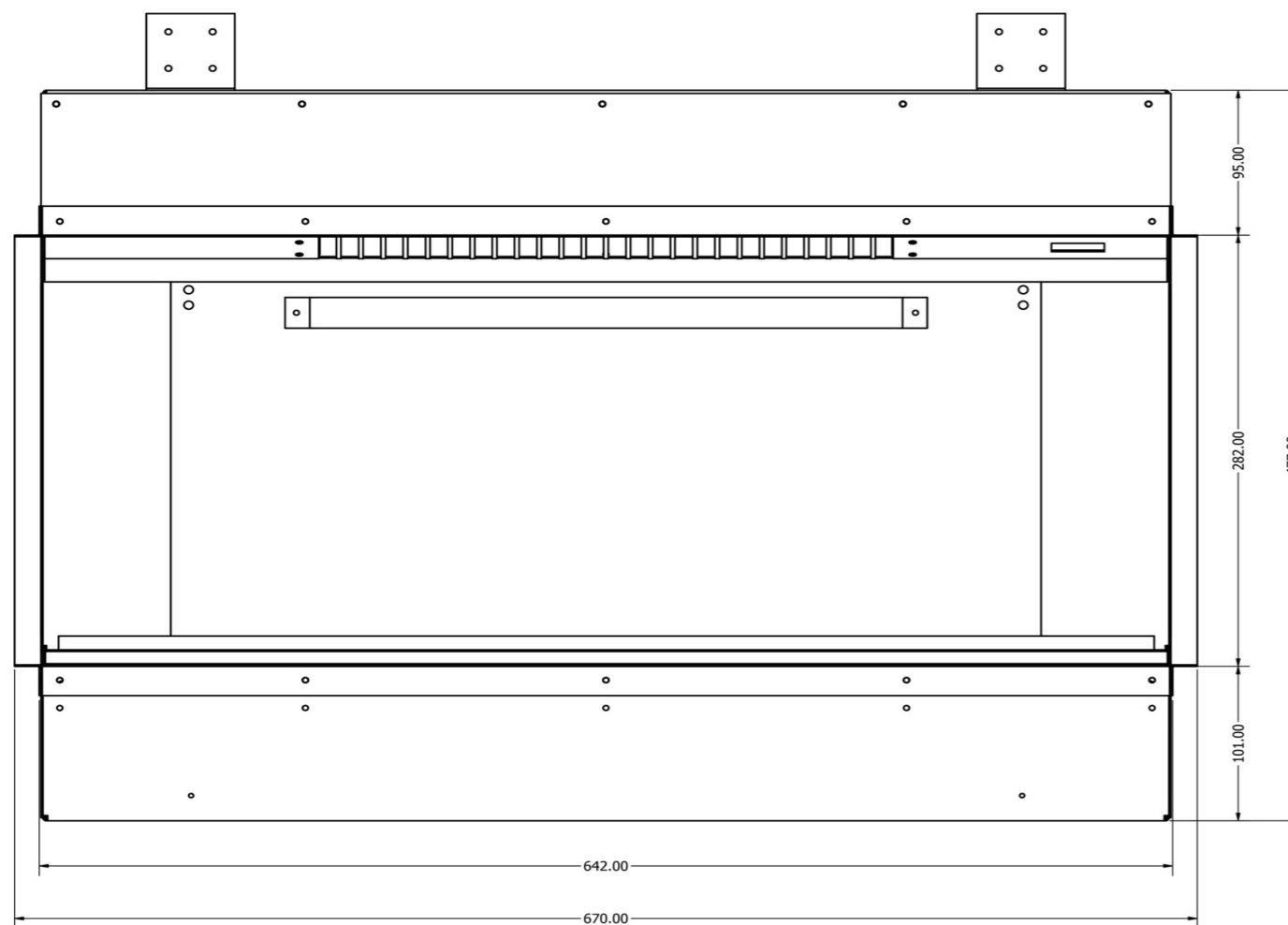
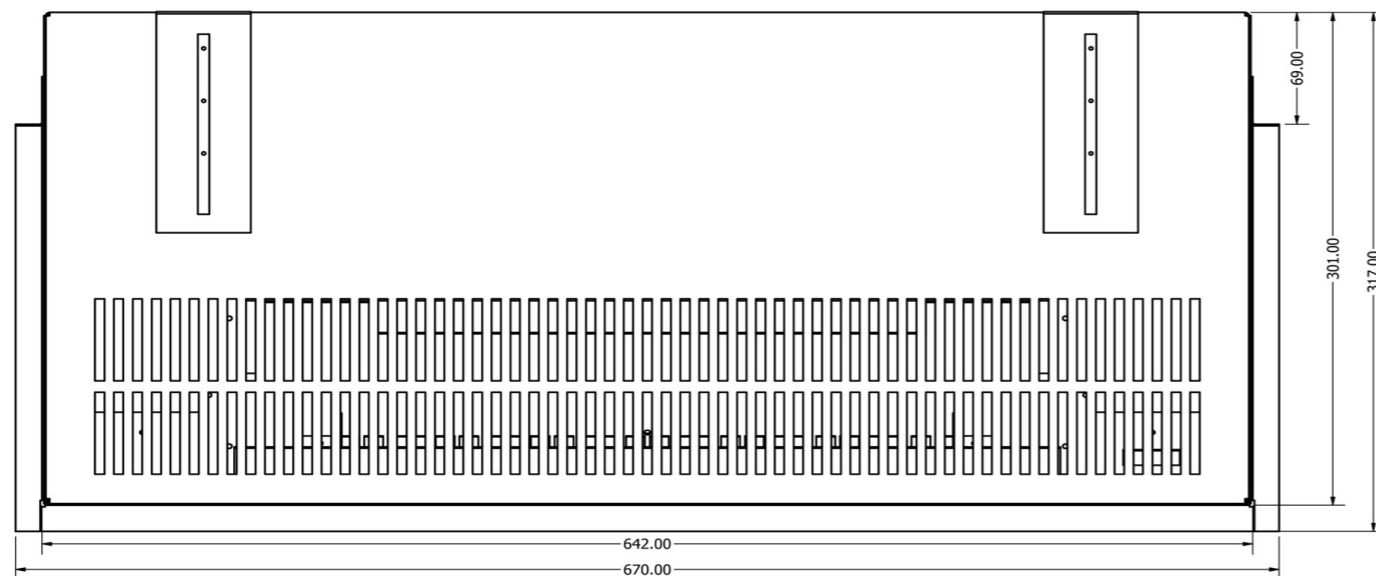
**IEC INLET**

# Newton 7/E700

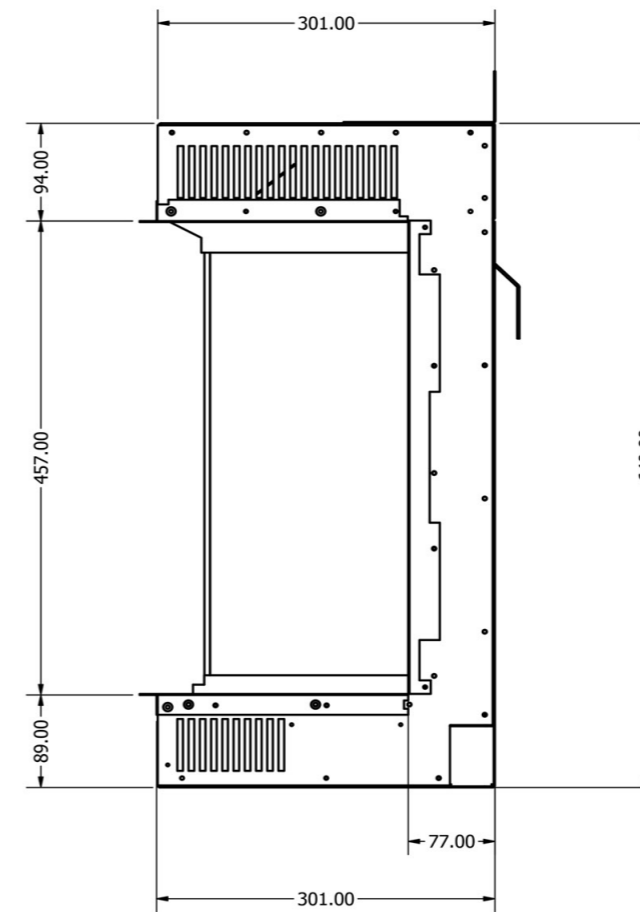
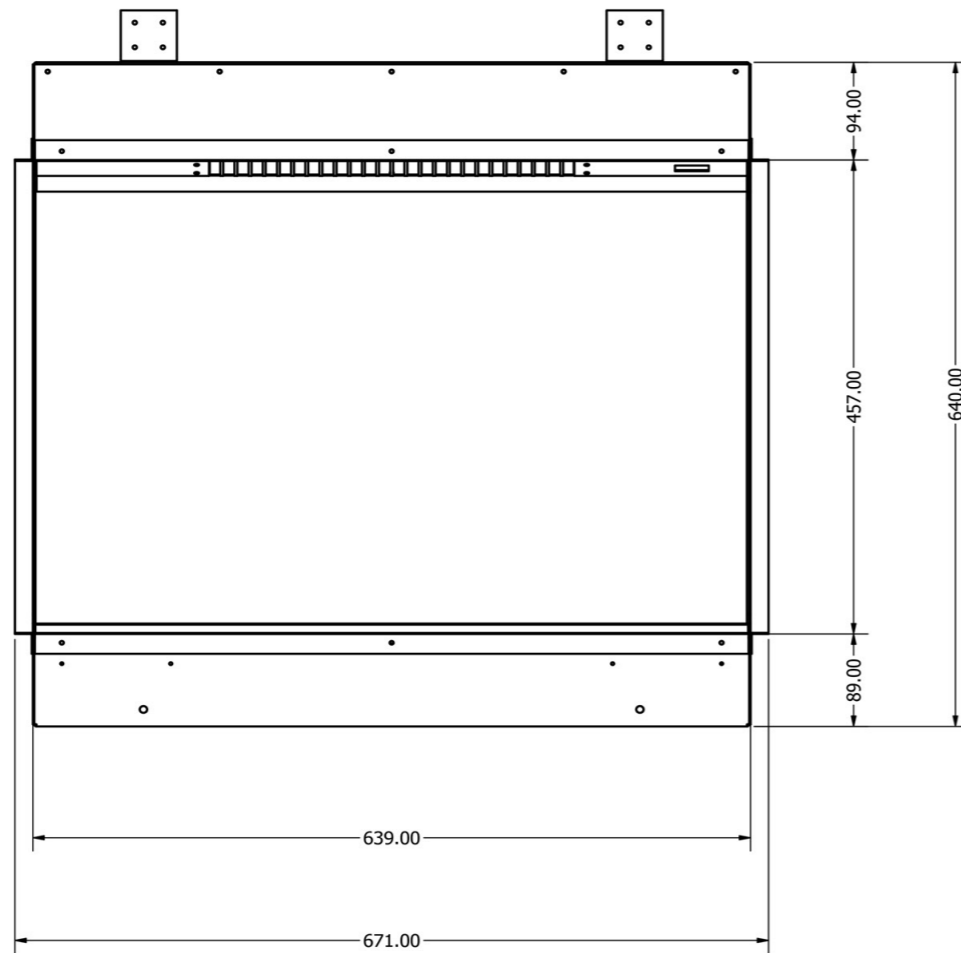
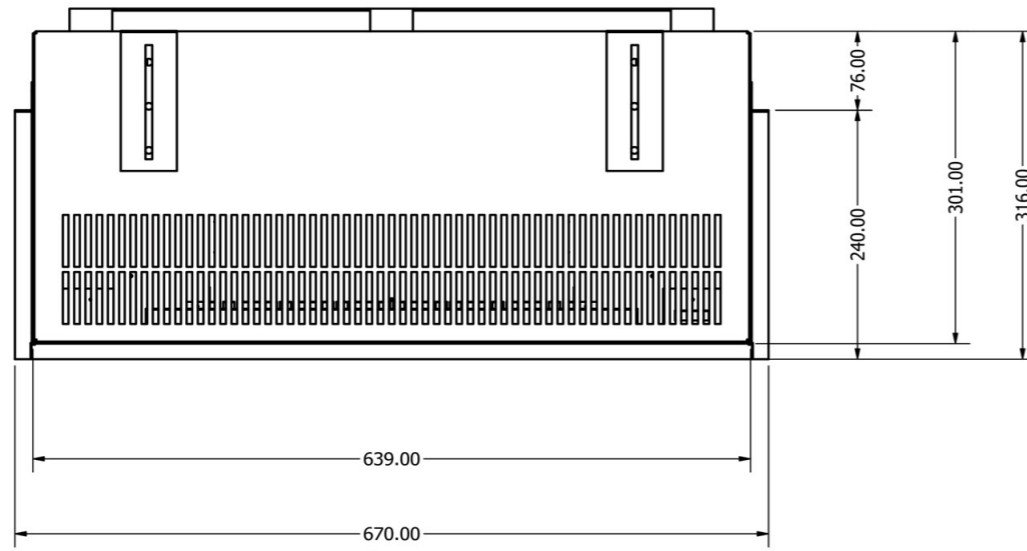


# Newton 6/E600



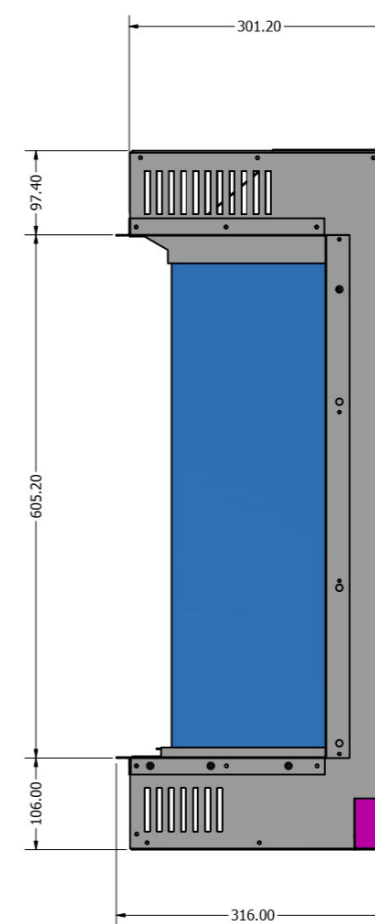
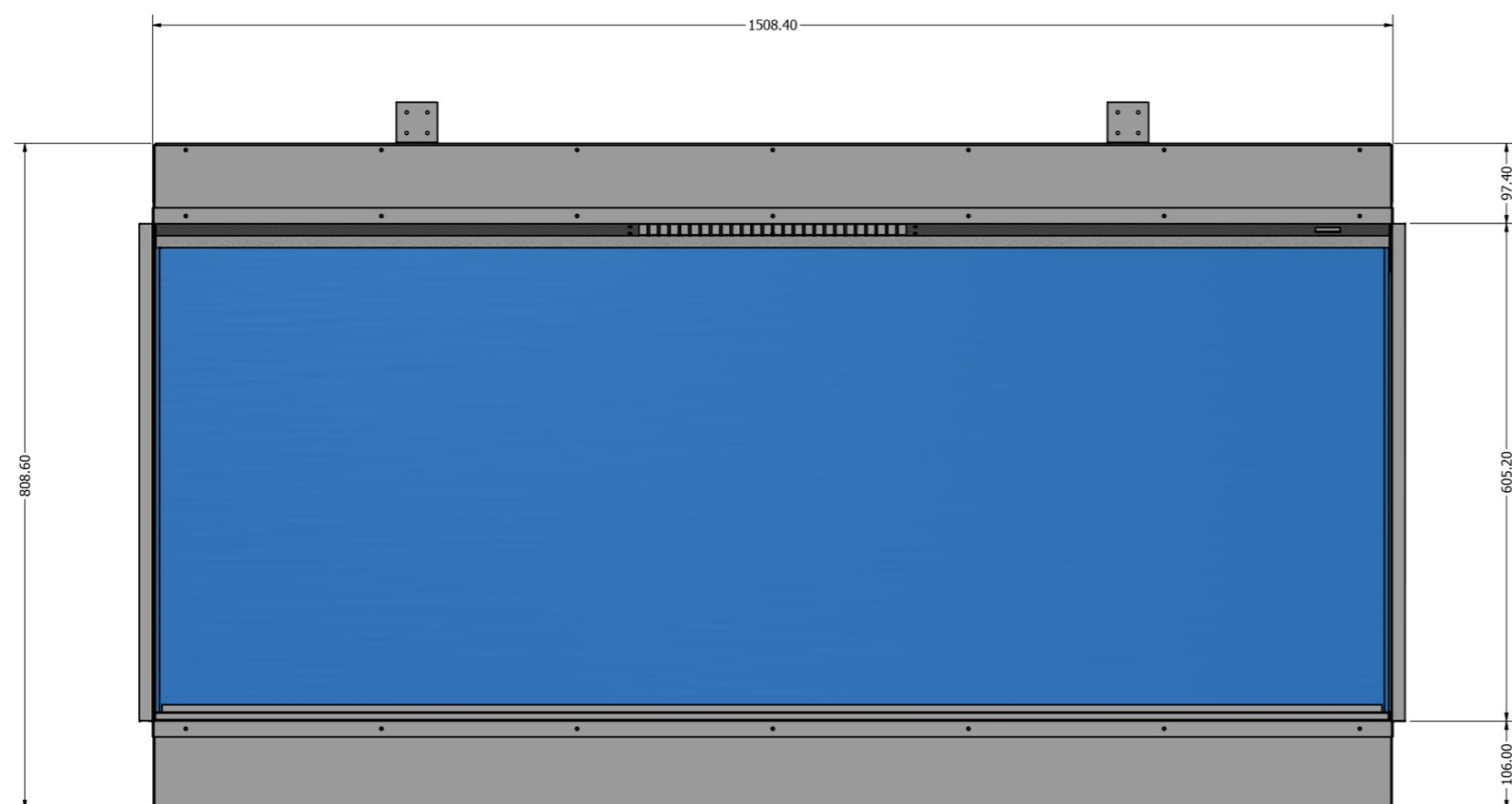
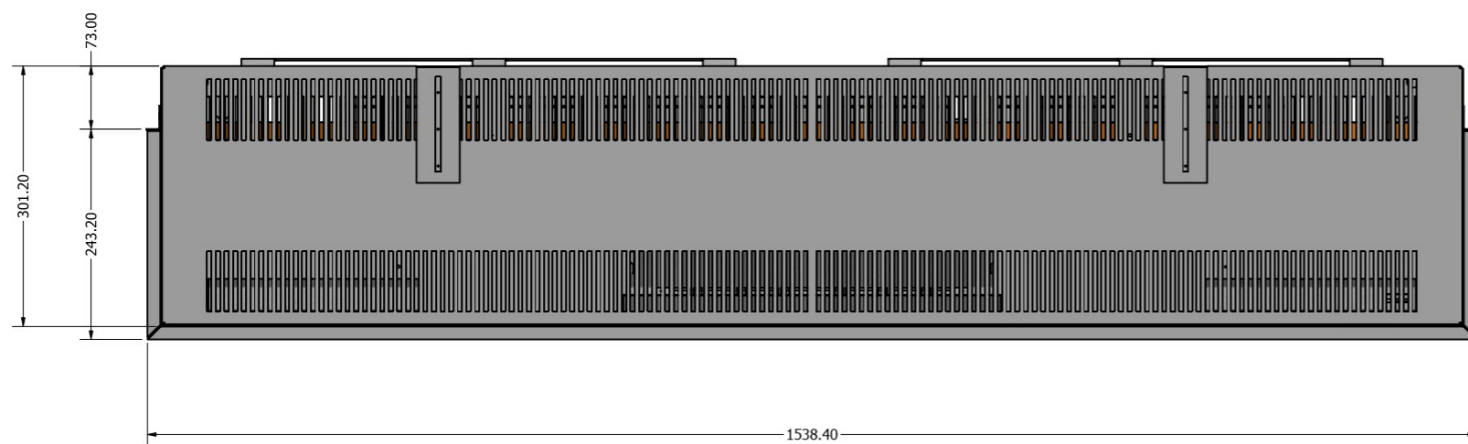


# Thoren/E630

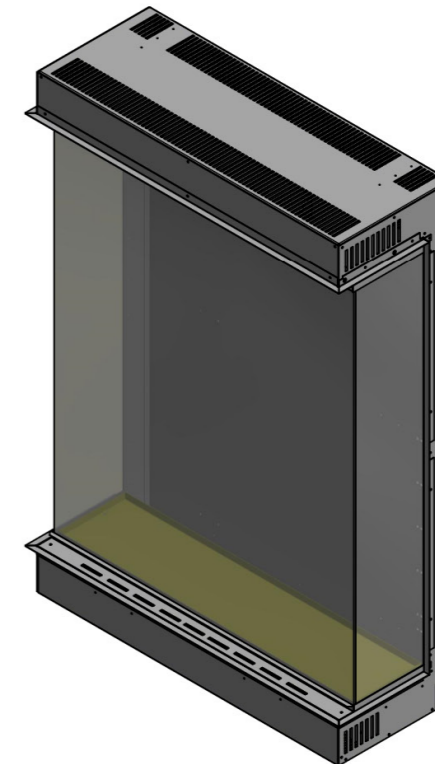
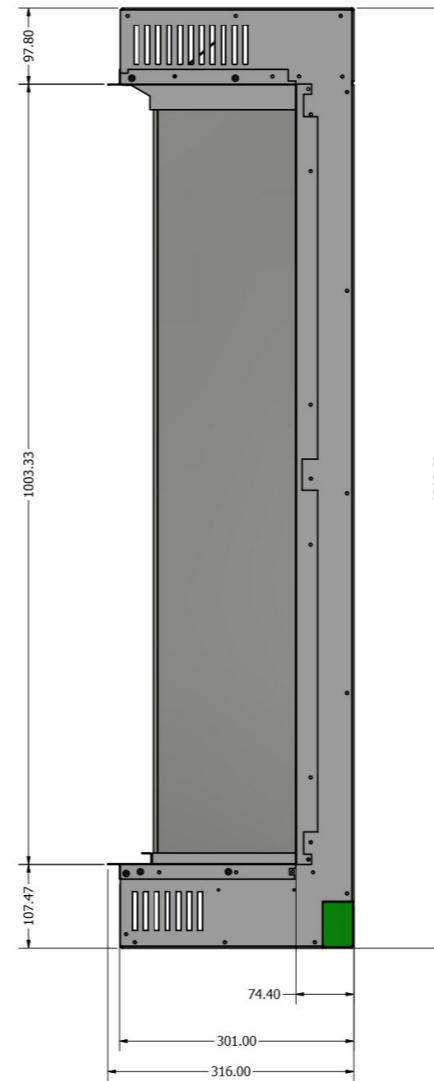
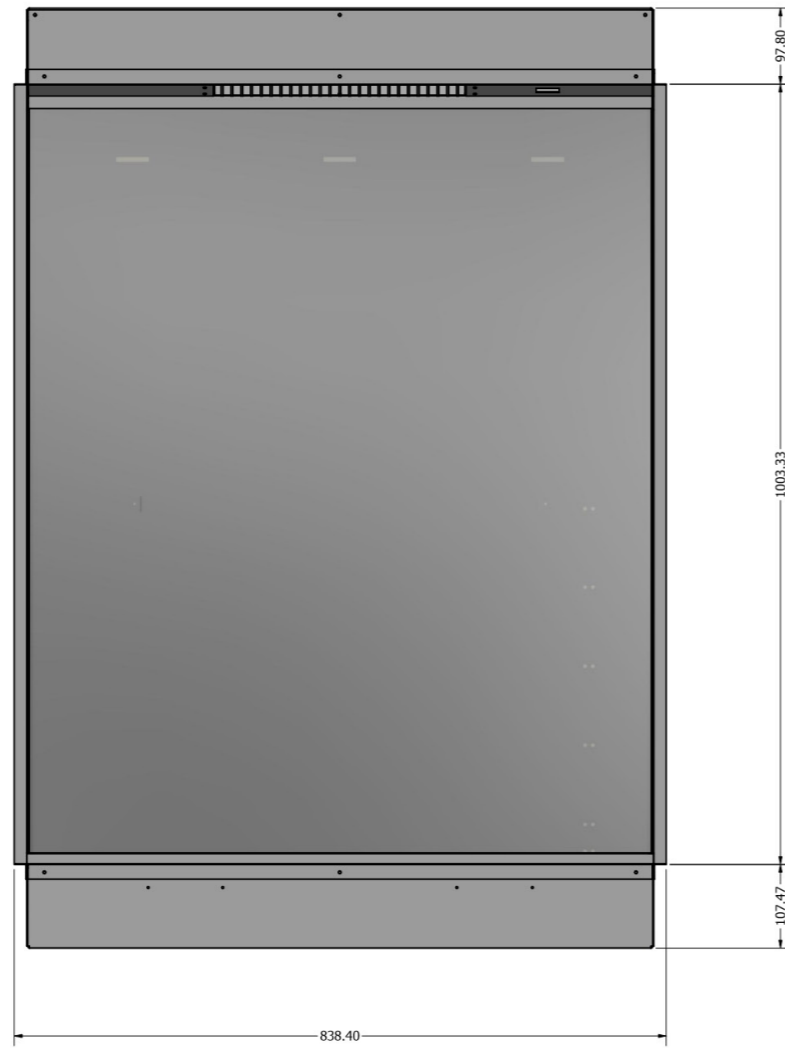
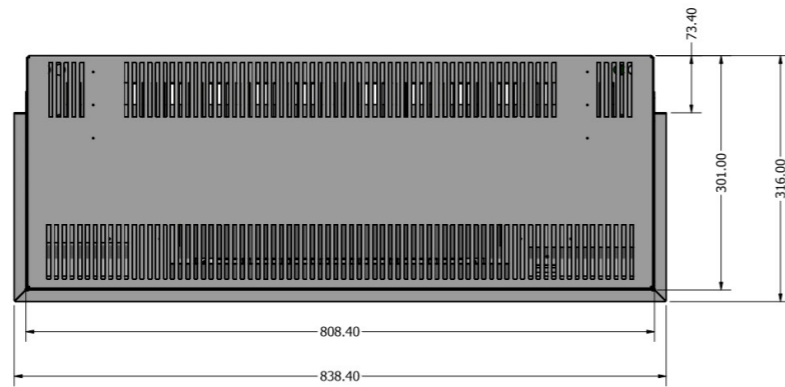




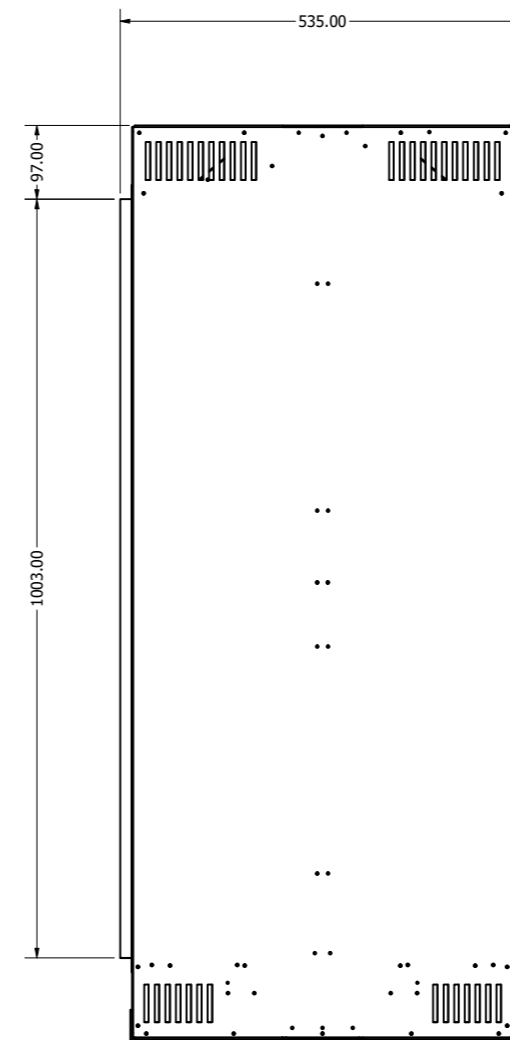
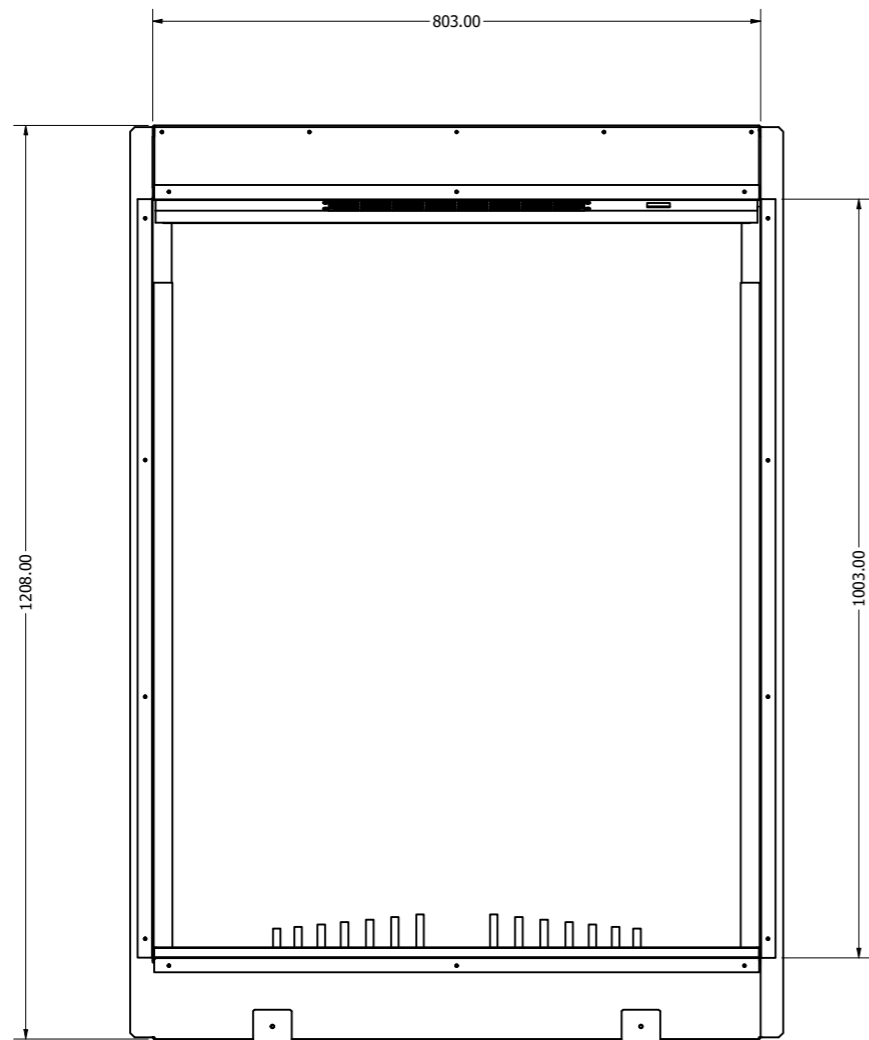
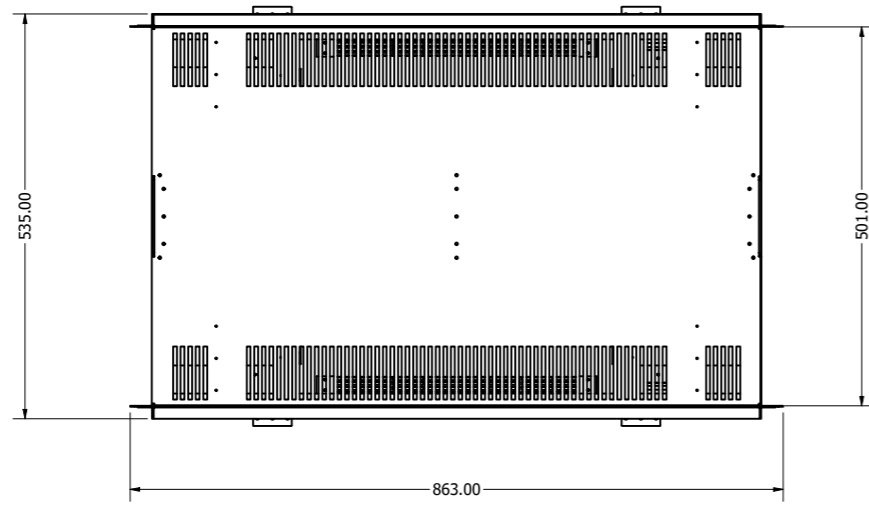
# E1560



# E810



# E810DS



# E500

