

evonicfires

quality electric fires built in britain

INSTRUCTIONS MUST BE KEPT AFTER INSTALLATION IN CASE
OF FUTURE MAINTENANCE

E-Series Instruction Guide



Important Safety Information

Always read this manual first before attempting to install or use this fireplace. For your safety, always comply with all warnings and safety instructions contained in this manual to prevent personal injury or property damage.

Please Note: This product is for well insulated spaces or occasional use.

Please Note: Once your e-series product has been installed and switched to the **ON** position, the fire will instantly flash. This is normal operating procedure, simply indicating that there is power running to the fire and **NOT** a fault.

English E-Series-180724



SERIAL NUMBER LABEL

Contents

1.	Introduction	2
2.	Electrical Safety	3/4
3.	Important Instructions	5/6
4.	Installation Method	7/8
5.	Glass Removal	9/10
6.	Side Conversion Panels	11/14
7.	E-Touch & App Interface	15
8.	Log guidance	16/17
9.	Product operation	18/19
10.	Problem Solving	20/23
11.	Warranty	24

welcome to evonicfires

evonicfires is an award-winning brand of CK Fires Ltd, situated just outside Stratford-upon-Avon, we manufacture a range of British built electric fires and are considered as one of the most technically advanced manufacturers in the world, with optional controllers such as e-touch and a fully integrated APP available to download on both



or




This guide is designed to aid in the installation and continued performance of this product. This product conforms with all health, safety, and environmental protection standards as indicated by a CE mark. For optimum performance this product requires a well insulated location or occasional use.

ELECTRICAL SAFETY:

When using electrical appliances, basic precautions should always be followed to reduce the risk of fire, electric shock, and injury to persons, including the following:

- ① Read all instructions before using this electric fireplace.
- ② This fireplace is hot when in use. To avoid burns, do not let bare skin touch hot surfaces. The trim around the heater outlet becomes hot during heater operation. DANGER: High temperatures may be generated under certain abnormal conditions. Do not partially or fully cover or obstruct the front of this heater.
- ③ Extreme caution is necessary when any heater is used by or near children or people of reduced mobility and whenever the unit is left operating and unattended.
- ④ Young children should be supervised to ensure that they do not play with the appliance.
- ⑤ The appliance is not intended for use by young children or infirmed persons without supervision.
- ⑥ In the event of a malfunction, disconnect power at the service panel and have the unit inspected by a reputable electrician before reusing.
- ⑦ If the supply cord is damaged, it must be replaced by the manufacturer, or its service agent, or a qualified person in order to avoid a hazard.
- ⑧ Do not use outdoors.
- ⑨ Never locate fireplace where it may fall into a bathtub or other water container.
- ⑩ To disconnect the fireplace, turn the controls off, and turn off power to heater circuit at main disconnect panel.
- ⑪ Do not run the cord under carpeting. Do not cover cord with throw rugs, runners, or the like. Arrange cord away from traffic area and where it will not be tripped over.
- ⑫ Do not locate the heater immediately below a fixed socket-outlet.

- 
- ⑬ Do not insert or allow foreign objects to enter any ventilation or exhaust opening as this may cause an electric shock or fire, or damage to the heater.
 - ⑭ To prevent a possible fire, do not block air intakes or exhaust in any manner.
 - ⑮ All electrical heaters have hot and arcing or sparking parts inside. Do not use in areas where gasoline, paint, or flammable liquids are used or stored.
 - ⑯ Use this fireplace only as described in this manual. Any other use not recommended by the manufacturer may cause fire, electric shock or injury to persons.
 - ⑰ Do not change the plug in any way. Always plug heaters directly into a wall outlet/receptacle. Never use with an extension cord or relocatable power tap (outlet/power strip).
 - ⑱ Do not burn wood or other materials in the electric fireplace.
 - ⑲ Do not strike the fireplace glass.
 - ⑳ Always use a certified electrician should new circuits or outlets be required.
 - ㉑ Always use properly grounded, fused and polarized outlets.
 - ㉒ Disconnect all power supply before performing any cleaning, maintenance or relocation of the unit.
 - ㉓ When transporting or storing the unit and cord, keep in a dry place, free from excessive vibration and store so as to avoid damage.

NOTE: Changes or modifications not expressly approved by the party responsible for compliance could void user's authority to operate the equipment.

IMPORTANT INSTRUCTIONS:

Please read these instructions before installation or use and keep this booklet handy for future reference.

All Evonic fires products meet the requirements of the EC Directives.

These directives have been met by compliance with the following standards:

EU 2011-65/EU 2015/863 Restriction of Hazardous Substances

EN 55014-1:2006 + A2:2011 Electromagnetic compatibility.

EN 55014-2:2015 Electromagnetic compatibility.

EN 61000-3-2:2014 Electromagnetic compatibility (EMC). Limits. Limits for harmonic current emissions

EN 61000-3-3:2013 Electromagnetic compatibility (EMC). Limits. Limitation of voltage changes, voltage fluctuations and flicker

EN 60335-1:2012 + A1:2014

EN 60335-2-30:2009+A11:2012

Safety:

This appliance can be used by children aged from 8 years and above and persons with reduced physical, sensory or mental capabilities or lack of experience and knowledge if they have been given supervision or instruction concerning use of the appliance in a safe way and understand the hazards involved. Children shall not play with the appliance. Cleaning and user maintenance shall not be made by children without supervision

The instructions shall state that the heater must not be located immediately below a socket outlet.

WARNING: in order to avoid overheating, do not cover the heater.

Children of less than 3 years should be kept away unless continuously supervised

Children aged from 3 years and less than 8 years shall only switch on/off the appliance provided that it has been placed or installed in its intended normal operating position and they have been given supervision or instruction concerning use of the appliance in a safe way and understand the hazards involved. Children aged from 3 years and less than 8 years shall not plug in, regulate and clean the appliance or perform user maintenance.

CAUTION: Some parts of this product can become very hot and cause burns. Particular attention has to be given where children and vulnerable people are present

CAUTION: In order to avoid a hazard due to inadvertent resetting of the thermal cut-out, this appliance must not be supplied through an external switching device, such as a timer, or connected to a circuit that is regularly switched on and off by the utility

CAUTION: The LED light system shall be replaced by electrically competent personnel only (LP – These cannot be user replaceable since they will allow access to live parts)

General Warnings:

Never leave children unsupervised with an unguarded heater.

Never obstruct or cover the heater outlet.

Never install or use this product where it may come in contact with water i.e. a bathroom or wet room.

Never use aerosols or steam cleaners near this product.

Never route the electric cable near the heater outlet.

Never route the electric cable under carpets or floor coverings.

Never install this product close to curtains or combustible materials.

Never Use the heater to dry clothes or other objects.

Never remove the fireplace surrounding without isolating the electric supply.

Important electrical safety:

This appliance must never be installed above or in front of a fixed electric socket.

The electrical socket must be easily accessible to isolate the supply during maintenance and cleaning.

This appliance is supplied with a two meter power lead, which has a 13Amp moulded three pin plug to connect to a standard 230/240V plug socket.

This appliance must always be earthed. If in any doubt consult a suitably competent person.

Replacement plug: (Please note that it will invalidate your warranty if the moulded plug is removed and connected to a fused spur by an unqualified person).

This appliance must only be connected to a 230/240 Volts AC 50Hz supply. Before connecting the fire, check that the supply voltage is the same as stated on the fire.

This appliance must only be used on a AC supply, fuse rating 13Amp.

The wires in the mains lead are coloured in accordance with a standard UK supply, these being:

GREEN/YELLOW – EARTH

BLUE – NEUTRAL

BROWN – LIVE

As the colours of the mains lead of this appliance may not match the coloured markings used to identify the terminals in a plug, please observe the following (**Fig:1**).

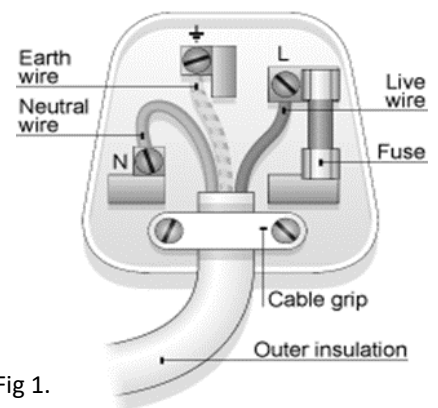
- The green and yellow wire must be connected to the terminal in the plug which is marked with the letter **E** or Earth symbol.
- The blue wire must be connected to the terminal in the plug which is marked with the letter **N**.
- The brown wire must be connected to the terminal in the plug marked with the letter **L**.
- Replace fuses only with fuses of the correct size and rating.

Servicing:

Only a competent person should service this appliance.

This appliance **must** be serviced every 12 months.

Warning: Before carrying out any repairs or servicing, ensure that the power supply cord is removed from the mains supply.



INSTALLATION METHOD:

PLEASE NOTE: It is crucial to ensure that the product has a minimum internal clearance directly above and below the product of 100 mm, this is to ensure that the product can circulate the required airflow for the heater unit.

PLEASE NOTE: Due to the weight of the e2400 model, it must be supported from the bottom of the fire. The fixing kit is supplied to keep the fire flat against the wall, but is not suitable to solely hold the weight of this model . The e2400 is not suitable for 'floating' effect installations.

This product has been designed to be installed into a plaster board, or existing masonry chimney breast.

Please note that any GF2 models from the e-series range are not suitable to be installed into a existing chimney breast.

Please seek advice from a professional, with reference to the structural integrity of the installation site.

if the products is to be installed into a open chimney or flue, it is important that the chimney/flue is blocked off to prevent any up/down draughts and falling debris which could restrict and alter the airflow to the product.

It is also important to ensure that the product has a minimum internal clearance directly above and below the product of 100mm, this is to ensure that the product can circulate the required airflow for the heater unit.

The product should never be sealed into a opening with the use of silicones or adhesives as this can also alter the airflow and hinder any further servicing of the product.

Installing Product:

Each E-Series product is supplied complete with one or more wall mounting brackets. (Dependent on Model)

Establish the desired finished height from floor level to the bottom of the plaster kit of the product.

Fix the wall bracket to the wall ensuring to use the correct hardware fixings given the wall construction, Plaster board or Solid Wall.

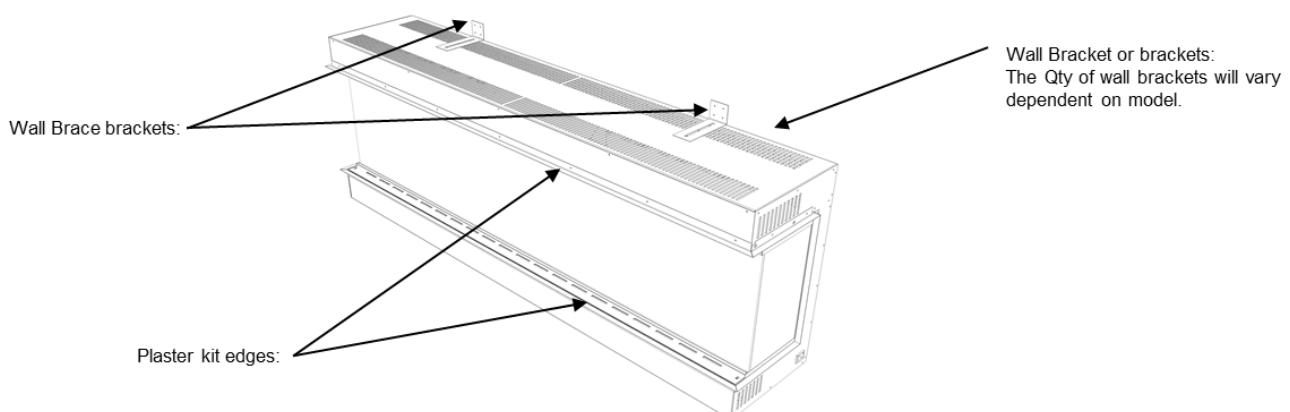
Lift and hook the product onto the wall bracket and secure using the wall brace brackets. **Please note: It is recommended that 2 people carry out this process on all models and 3 people on the e2400. The e2400 must then be supported from the bottom of the fire to provide additional support for the weight of the case.**

Once the product is secured to the wall and connected to the power supply, the false construction such as plaster board wall or chimney breast can be formed around it.

It is important to allow for the finished face board when setting the depth of the frame construction.

It is essential to include header/Lintel at the required height to ensure the appliance does not support the weight of the finished wall.

Prepare the Cut-Out in the Plaster-board or Finishing Board, and install ensuring that the plaster kit edges are fitting to the inside of the Cut-out of the board.



Please note: This table is only an example of an installation and is only applicable to **GF** models

Model	Width	Depth	Height
e500	492mm	310mm	809mm
E600	637mm	190mm	838mm
e630	639mm	310mm	840mm
e640	460mm	190mm	1043mm
e700	641mm	190mm	680mm
e730	642mm	310mm	677mm
e710	710mm	190mm	990mm
e800	805mm	310mm	990mm
e810	808mm	310mm	1408mm
e900	836mm	190mm	895mm
e1000	1002mm	190mm	675mm
e1030	1004mm	310mm	755mm
e1250	1254mm	310mm	756mm
e1500	1506mm	310mm	755mm
e1560	1508mm	310mm	1008mm
e1800	1754mm	310mm	811mm
e2400	2402mm	310mm	831mm

Please see Figure 1: as a example of a installation.

Please refer to technical specification table for further information, with reference aperture measurements.

The above table contains the **minimum** opening sizes required to house the product. This includes the recommended **100mm** aperture above and below to allow air to circulate and an additional **10mm** in depth.

Model	W	D	H
e500	492mm	N/A	400mm
e600	637mm	N/A	455mm
e630	639mm	N/A	457mm
e640	460mm	N/A	655mm
e700	641mm	N/A	285mm
e710	710mm	N/A	607mm
e730	642mm	N/A	282mm
e800	805mm	N/A	590mm
e810	808mm	N/A	1003mm
e900	836mm	N/A	492mm
e1000	1002mm	N/A	275mm
e1030	1004mm	N/A	355mm
e1250	1254mm	N/A	357mm
e1500	1506mm	N/A	355mm
e1560	1508mm	N/A	605mm
e1800	1754mm	N/A	410mm
e2400	2402mm	N/A	430mm

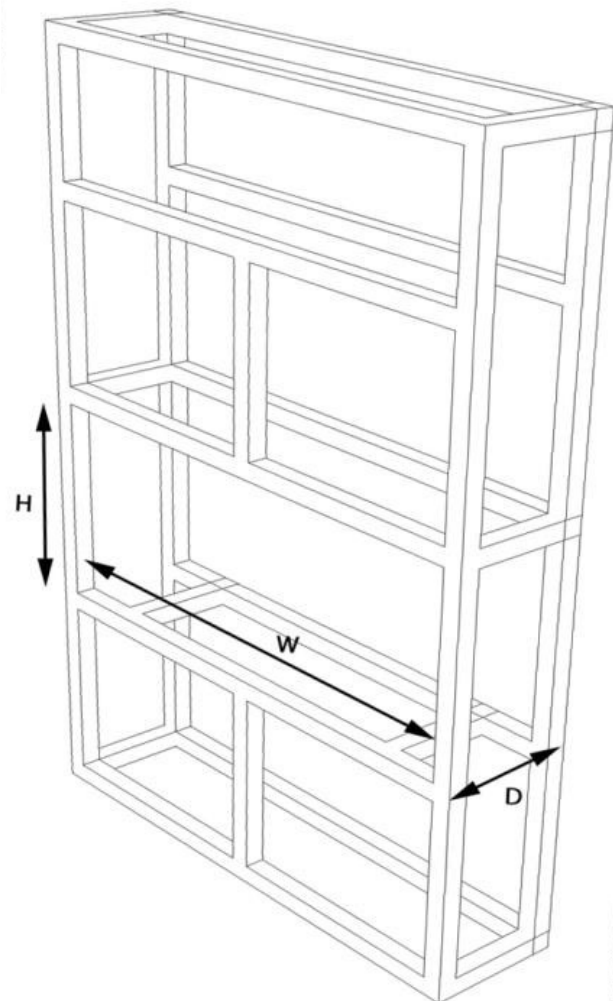
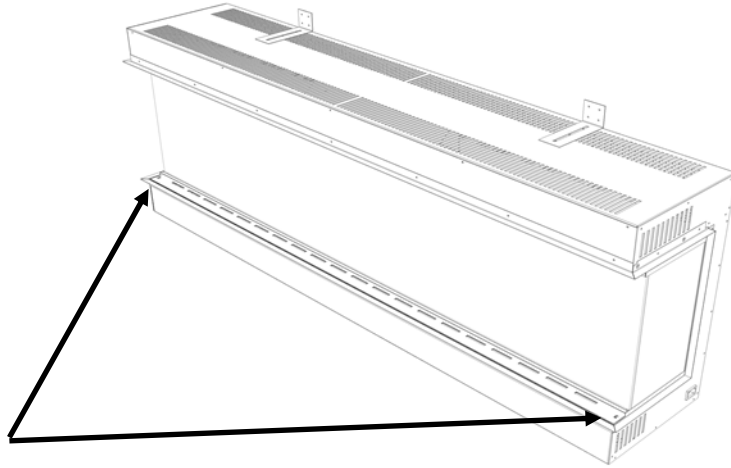


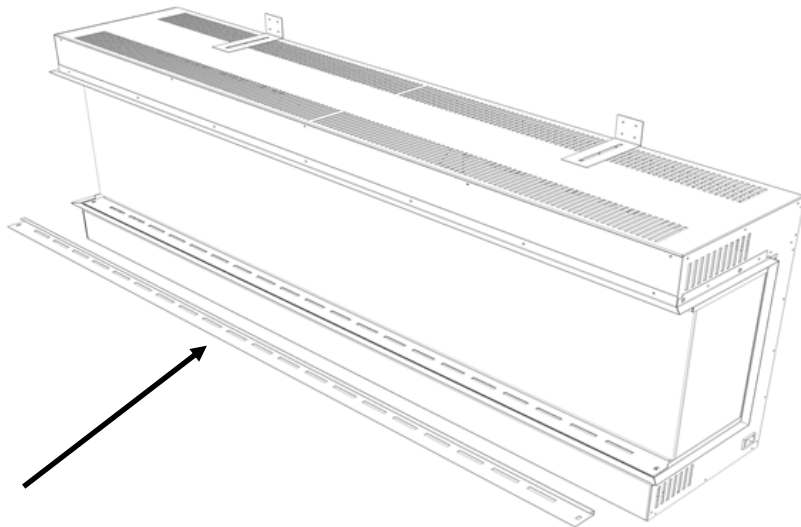
Figure 1:

The below table contains the final **finished** opening sizes once the product has been installed.

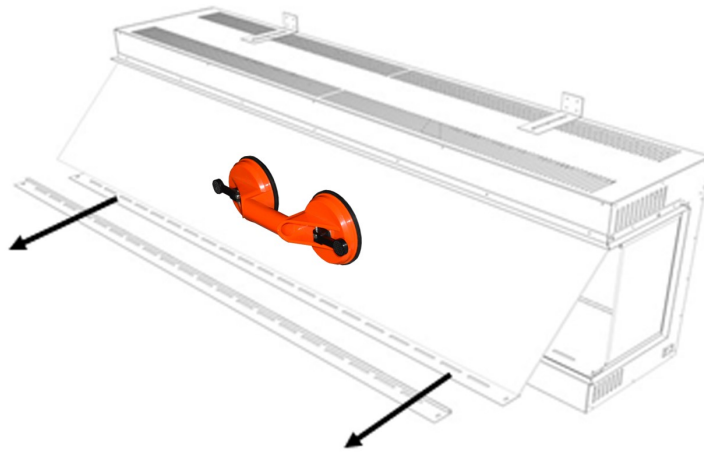
GLASS REMOVAL:



1. Remove the two screws located in the bottom glass retaining bar.



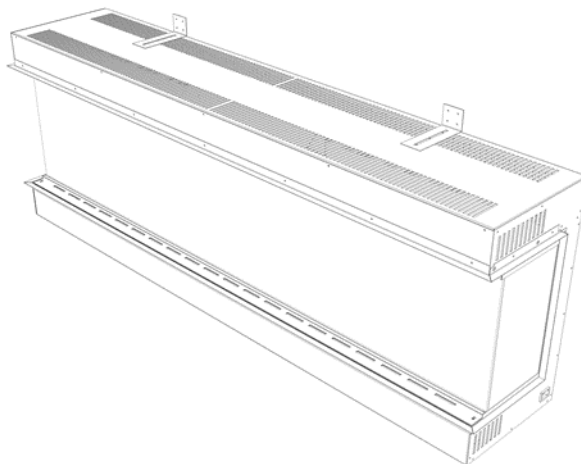
2. Remove the bottom glass retaining bar.



3. Remove the glass by pulling the second retaining bar away from the body of the fire. Ensure that the glass is supported at all times. A suction cup has been provided to aid with this step.

Please note: The suction cup is provided for support only, not to hold the full weight of the glass.

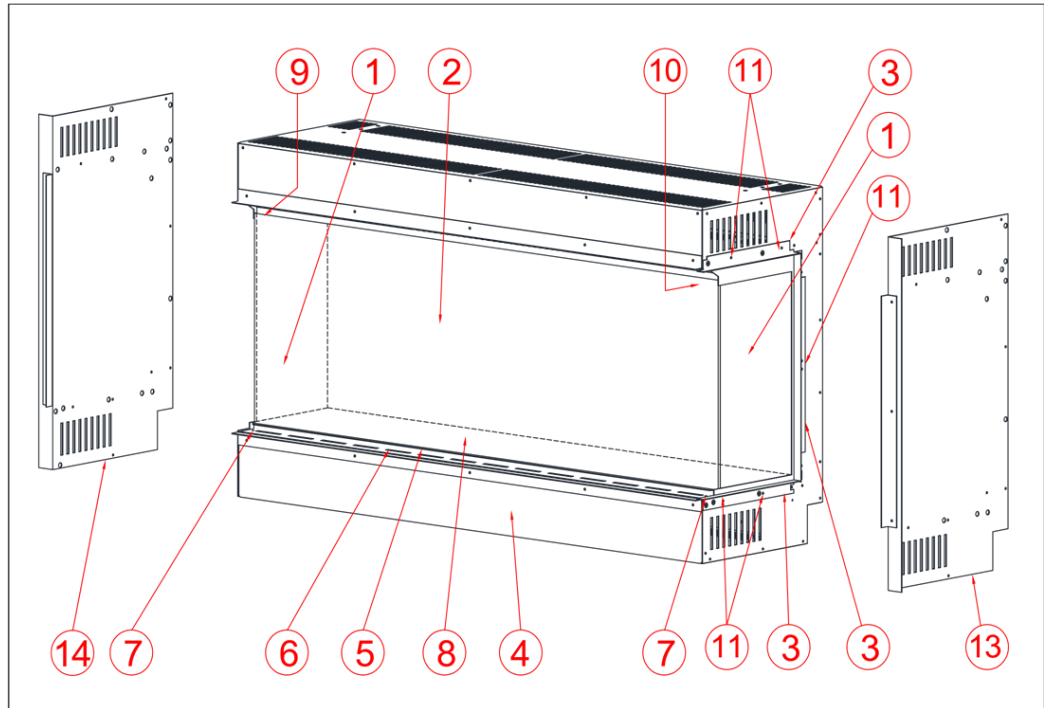
Please note: It is recommended that this step is carried out by 2 persons on e1560/e1800/e2400 models.



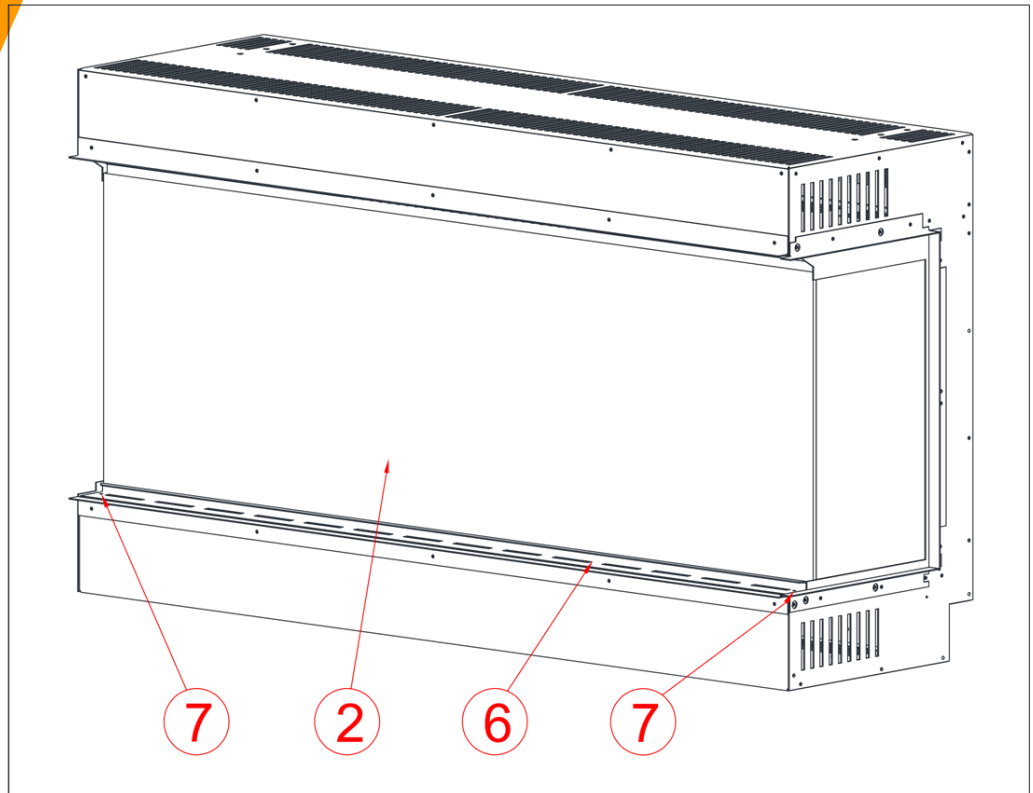
4. Place the log set as stated and replace the glass by reversing steps 3. to 1.

SIDE CONVERSION PANELS

To complete this step, you must first remove front glass and side glass.



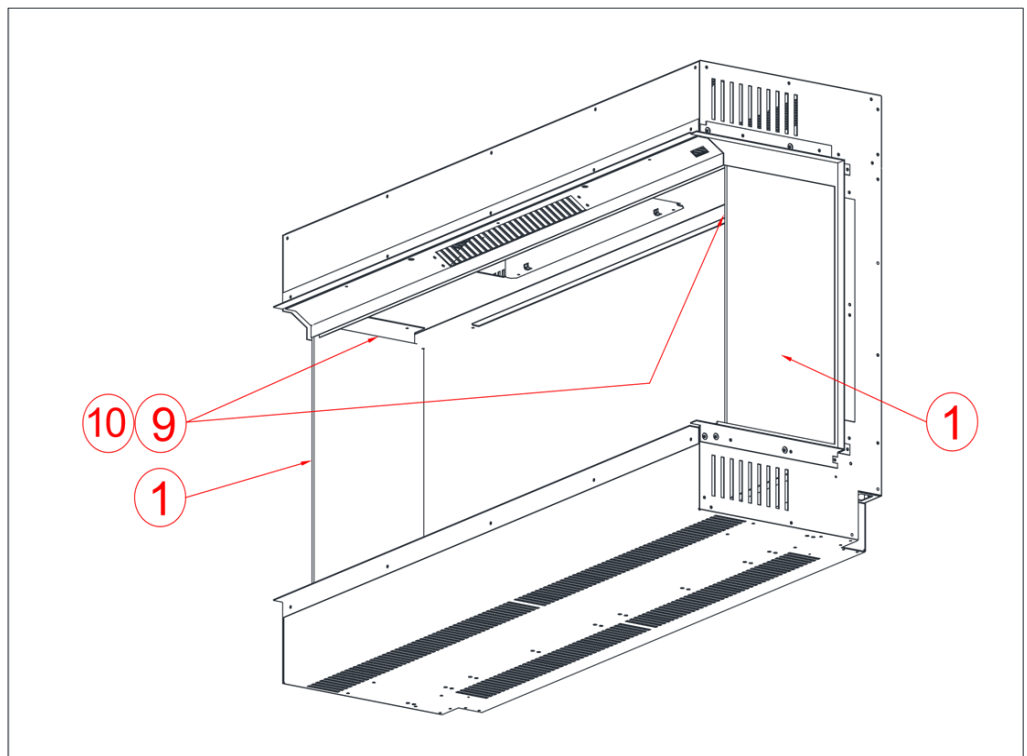
ITEM.	DESCRIPTION.	QTY.
1.	SIDE GLASS	2 OFF
2.	FRONT GLASS	1 OFF
3.	PLASTER KIT (3 OFF LEFT SIDE, 3 OFF RIGHT SIDE)	6 OFF
4.	MAIN HOUSING	1 OFF
5.	FRONT GLASS BOTTOM SUPPORT	1 OFF
6.	FRONT GLASS BOTTOM RETAINER	1 OFF
7.	FRONT GLASS BOTTOM RETAINER FIXINGS	2 OFF
8.	FUEL BED	1 OFF
9.	SIDE GLASS TOP RETAINER (INTERNAL)	2 OFF
10.	SIDE GLASS TOP RETAINER (INTERNAL) FIXINGS	4 OFF
11.	PLASTER KIT FIXINGS	16 OFF
12.	IN-FILL SIDE PIECE FIXINGS	16 OFF
13.	IN-FILL RIGHT SIDE	1 OFF
14.	IN-FILL LEFT SIDE	1 OFF



STEP 1 - REMOVAL OF FRONT GLASS (ITEM 2)

REMOVE THE 2 OFF FIXINGS (ITEM 7) THAT SECURE THE FRONT GLASS BOTTOM RETAINER (ITEM 6) TO THE FUEL BED (ITEM 8).

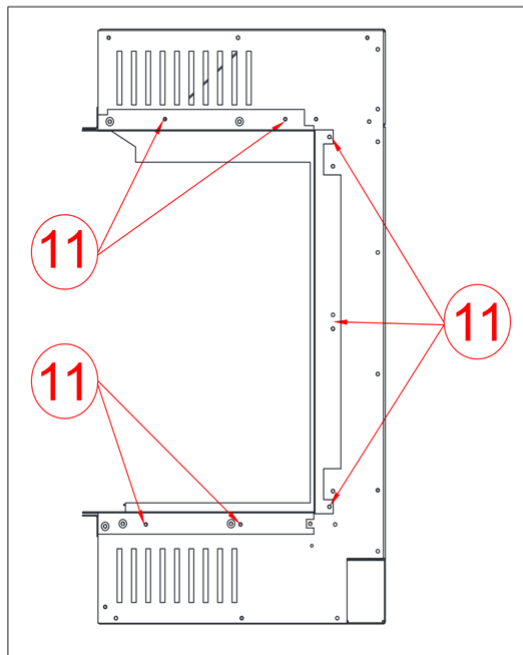
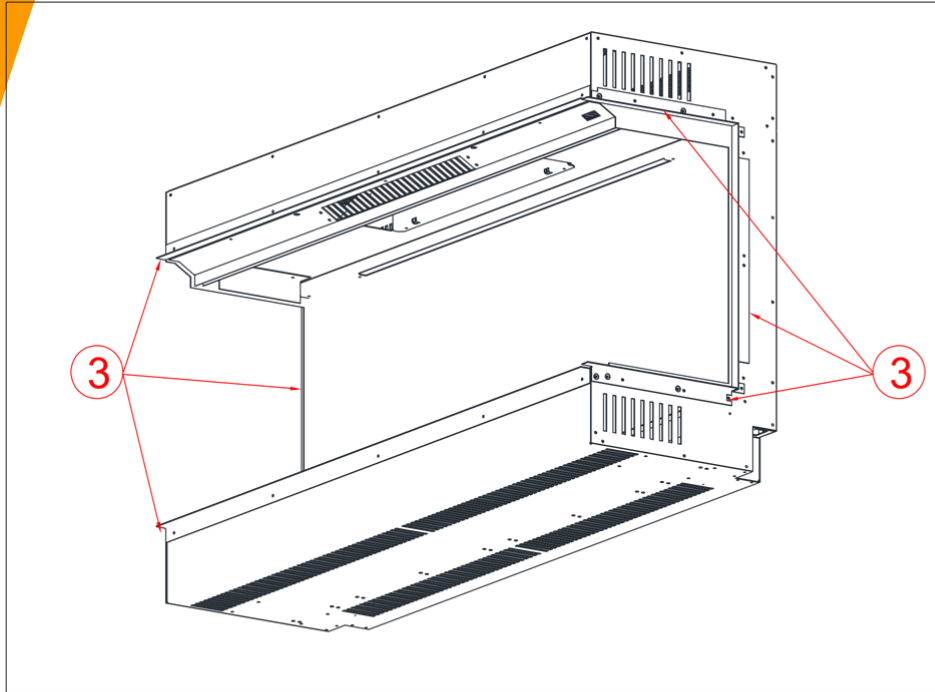
LIFT OFF THE FRONT GLASS RETAINER (ITEM 7) AND USING THE GLASS SUCKERS SUPPLIED (NOT SHOWN) CAEFULLY REMOVE THE FRONT GLASS (ITEM 2).



STEP 2 - REMOVAL OF SIDE GLASS (ITEM 1)

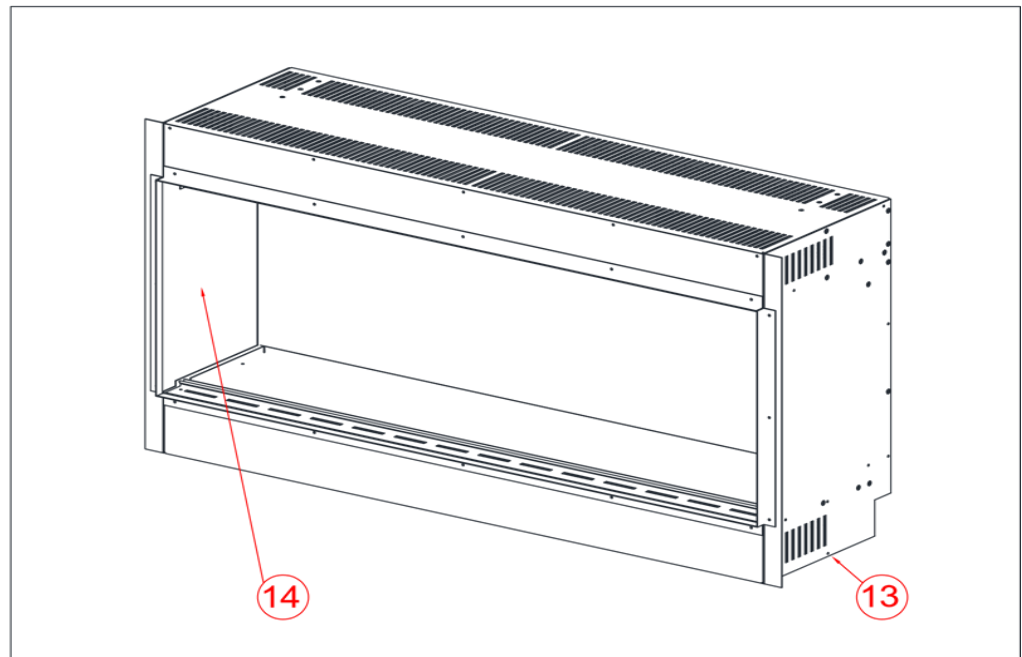
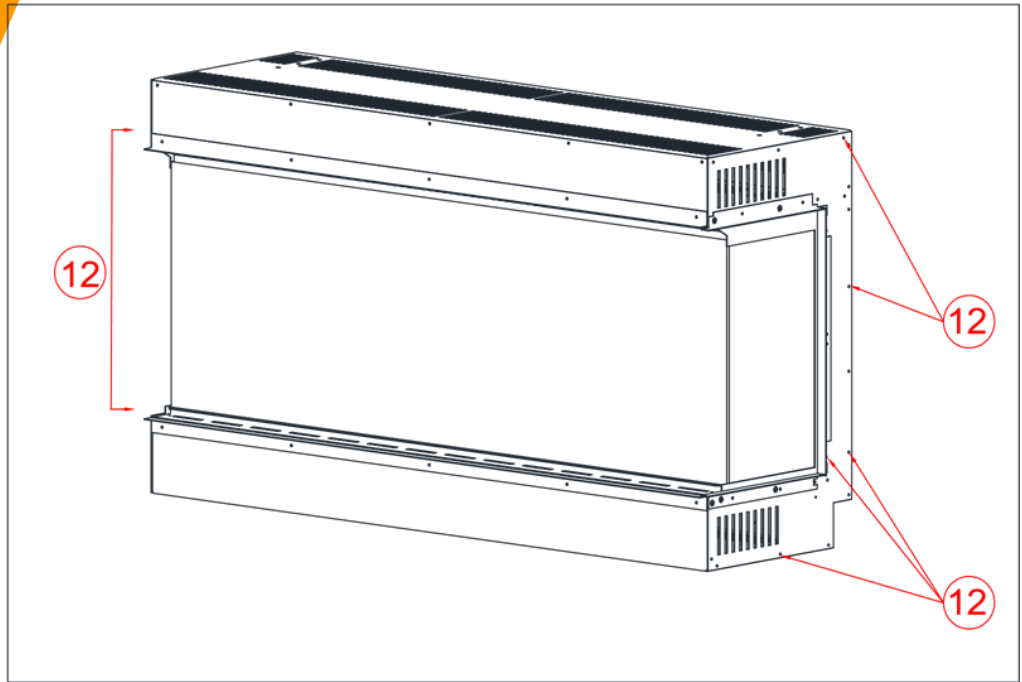
REMOVE THE 2 OFF SIDE GLASS TOP RETAINER BRACKETS (ITEM 9) BY TAKING OUT THE 4 OFF FIXINGS (ITEM 10) 2 OFF ON EACH BRACKET.

CAREFULLY TILT THE SIDE GLASS INWARDS AT THE TOP AND LIFT IT AWAY FROM UNIT.



STEP 3 - REMOVAL OF PLASTER KIT (ITEM 3)

1. REMOVE THE PLASTER KIT FIXINGS (ITEM 11) USING A PHILLIPS SCREW DRIVER (NOT SUPPLIED). NOTE: ENSURE TO KEEP FIXINGS FOR FUTURE REFERENCE.
2. REMOVE THE PLASTER KIT (ITEM 3) FROM BOTH SIDES OF THE UNIT.



STEP 4—FITTING IN-FILL SIDES (ITEM 13 & 14)

REMOVE IN-FILL SIDE FIXINGS (ITEM 12)

PLACE THE IN-FILL SIDES OVER THE EXISTING SIDE PIECES

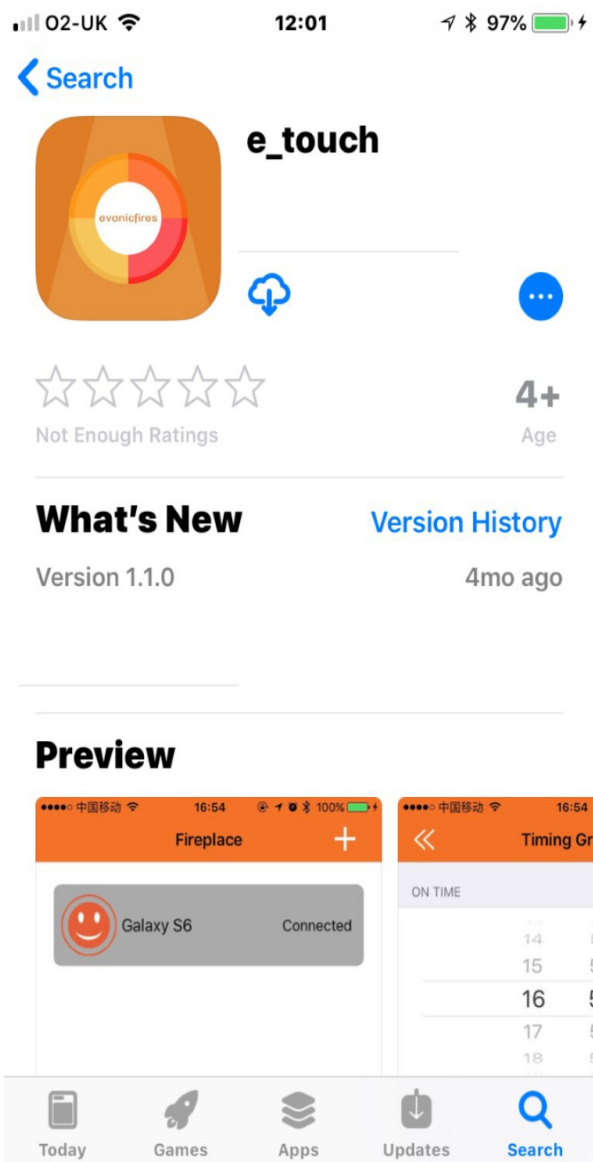
USING THE IN-FILL SIDE FIXINGS (ITEM 12) TOGETHER WITH THE PLASTER KIT FIXINGS (ITEM 11) THAT WERE REMOVED IN THE PREVIOUS STEP SECURE THE LEFT AND RIGHT IN-FILL SIDES (ITEM 13 & ITEM 14) TO THE UNIT.

E-TOUCH APP INTERFACE

The Appliance is operated using the E-Touch App Control.

The App Control can be used on either OS or Android operating systems.

To obtain the App please visit either the OS App Store Or Google Play and follow the on screen instructions.



Screen shot taken from Apple App Store.



Home Screen shot taken from E-Touch App

LOG SET GUIDANCE:

Please Note: The images shown are suggested Log layouts, the log sets can be arranged to personal preference.

<u>MODEL</u>	<u>LOG SET & QUANTITY</u>
E500	E700 Log Set X1
E600	E700 Log Set X1
E600gf	Small Ceramic Log Set X 2
E600S	E700 Log Set X 1
E630	E700 Log Set X 1
E640	E640 Log Set X1
E700 GF	Small Ceramic Log Set X 2
E700S	E700 Log Set X1
E710	E1000 Log Set X1
E730	E700 Log Set X 1
E800	E700 Log Set X2
E810	E700Log Set X2
E900	E640 Log Set X2
E1000	E1000 Log Set X 1
E1030	E1000 Log Set X1
E1250	E1000 Log Set X 1/E700 Log Set X 1
E1500	E1000 Log Set X2
e1560	E1000 Log Set X3
e1800	E1000 Log Set X3
e2400	E1000 Log Set X 4



E700 X 1 Log Layout-Applicable with **E500, E600S, E700S, E630, E730**



E700 X 2 Log Layout Applicable with **800, 810**



E640 Twig Set X 1 - Applicable with **E640GF, E640 OPEN**



E640 Twig Set X 2 Layout-Applicable with **E900GF, E900 OPEN**



E1000 Log Set X 1 Layout-Applicable with **E1030, E1000GF, E1000 OPEN, 710, E800**



E1000 X 1/E700 X 1 Log Layout-Applicable with E1250



E1000 X 2 Log Layout-Applicable with E1500



E1000 X 3 Log Layout-Applicable with E1800, 1560



E1000 X 4 Log Layout-Applicable with E2400

PRODUCT OPERATION:

The appliance is operated by the e-touch App, the main standby power switch to the e-series product is located to the right of the heater outlet, which is marked with a light bulb image, to activate the product, this switch must be switch to the "ON" position.

The first time the e-series product is activated both the illumination and heater will function, to switch the heater "Off" simply reduce the Room Temperature down to 10 degrees on the App control.

BUILT IN MODELS:

This product has been designed to be installed into a studwork or existing chimney breast.

Please note that any GF2 models from the e-series range are not suitable to be installed into a existing chimney breast.


Please seek advice from a professional, with reference to the structural integrity of the installation site.

If the products is to be installed into a open chimney or flue, it is important that the chimney/flue is blocked off to prevent any up/down draughts and falling debris which could restrict and alter the airflow to the product.

It is also important to ensure that the product has a minimum internal clearance directly above and below the product of 100 mm, this is to ensure that the product can circulate the required airflow for the heater unit.

The product should never be sealed into a opening with the use of silicones or adhesives as this can also alter the airflow and hinder any further servicing of the product.

Please refer to technical specification table for further information, with reference to measurements.



Heater unit cut-out) (This is a safety feature, to safe guard against further damage to the product).

If the airflow is restricted the heater will automatically turn off. This is can occur due to incorrect installation or obstruction.

To reset the heater function:

- isolate from the mains power supply.
- Leave product to cool.
- After a suitable cooling down period, remove the obstruction if obstructed, and check installation.
- After 10 minutes the thermo switch (cut-out) in the heater will reset.

Please note that both the effect fan and heater fan omit a low decibel noise, both of which are normal operating characteristics.

TROUBLESHOOTING FLOW CHART

Problem	Possible Cause	Solution
<p>1)</p> <p style="text-align: center;">Flames not working correctly</p>	<p>→ Ribbons are statically connected to glass.</p>	<p>→ Spray some anti-static spray beneath the tray.</p>
	<p>→ Installation airflow restricted.</p>	<p>→ Check the correct aperture has been adhered to when installing— Recommended clearance is 100mm.</p>
	<p>→ Blower clogged.</p>	<p>→ Fan requires cleaning out.</p>
	<p>→ Slow fan.</p>	<p>→ Fan requires cleaning out. If problem persists, replacement fan may be required.</p>
<p>2)</p> <p style="text-align: center;">Heater blowing cold</p>	<p>→ Possible installation gaps/Chimney not adequately blocked off.</p>	<p>→ Chimney may not be fully blocked. Correct aperture has not been adhered to—100mm</p>
	<p>→ Fan clogged.</p>	<p>→ Heater fan requires cleaning out</p>
	<p>→ Faulty element.</p>	<p>→ Replace element</p>
	<p>→ Slow fan.</p>	<p>→ Check fan placement. If problem persists replacement fan may be required.</p>

Problem

Possible Cause

Solution

3) Noisy Heater	→	Fan unbalanced.	→	Adjust fan to stop catching on the case. If problem persists replacement fan unit maybe required.
	→	Fan catching on housing.	→	Adjust fan to stop catching on the case
	→	Fan clogged.	→	Fan requires cleaning out. If problem persists a replacement fan may be required.
	→	Fan has come loose.	→	Tighten fan cradle or screws holding fan onto fan cradle.

4) Noisy Flame Effect	→	Fan unbalanced.	→	Adjust fan to stop catching on the case. If problem persists a replacement fan unit may be required.
	→	Fan catching on housing.	→	Adjust fan to stop catching on the case.
	→	Fan clogged.	→	Fan requires cleaning out. If problem persists a replacement fan may be required.
	→	Fan has come loose.	→	Tighten fan cradle or screws holding fan onto fan cradle.

Problem

Possible Cause

Solution

5) Fire not turning on.	→	Rocker switch has not been turned to the 'ON' position.	→	Double check switches are turned to the 'ON' position.
	→	Remote/App not paired.	→	Remote needs pairing. See separate pairing instructions for guide.
	→	Fuse blown.	→	Replace fuse.
	→	Unit not plugged in correctly.	→	Check to be sure the power lead is plugged in adequately.

6) No lights	→	Loose connection or disconnected wire.	→	Check all connections on LED's
	→	LED shorting out	→	Check location of short—Replace LED strip if necessary.
	→	LED blown	→	LED strip needs replacing.
	→	Blown driver on PCB	→	PCB needs replacing.

Problem	Possible Cause	Solution
7) Heater coming on randomly	Timer has been accidentally set.	Double check timer settings.
	Thermostat faulty.	Replace PCB.
8) LED streaking	LED dropped down.	LED needs to be re-stuck into place.
	Log positioning.	Change log positioning to hide any direct view of LED strip.
9) Heater cutting out	Build up of hot air triggering heater cut-out unit.	Ensure the appliance has the required aperture for air to circulate and prevent build-up. Recommended 100mm
10) Noisy fans	Fan has slipped off-centre of mechanism	Press red button on side of fan to re-centre to stop it from catching.

Conditions of warranty:

If this appliance should prove to be defective due to faulty design, materials or workmanship within 12 months of purchase, the product will be repaired free of charge, subject to the following conditions:

The electric fire shall have been purchased and used solely within the UK and Ireland for domestic purposes and in accordance with the Users operating instructions.

It is the purchasers responsibility to prove that the unit is under warranty, e.g. receipt of purchase.

All warranties, will be invalidated if unauthorised repairs or modifications are made to the electric fire, or in case of accident, misuse or damage caused by improper installation, or to damage occurring during transit to or from the repairer and altered or missing serial numbers.

Any parts, which have been replaced under this warranty, shall become our property.

The company shall not be liable for any consequential loss or damage what so ever, arising from or in connection with this electric fire.

This Warranty does not apply to Heating elements, Bulbs or fuses.

'No fault found', service calls and installation errors are not covered under the manufacturers warranty and will result in a charge being made for the Call-Out by our appointed service engineer.

This warranty is in addition to and does not affect the purchasers statutory rights of consumers.

Registering product:

To register a product please visit: **www.evonicfires.co.uk**
and complete the fields required under the **Register a Product Section**. By registering your appliance, an extra 12 months will be added to your warranty.

CK Fires Ltd / Evonic Fires

1 Evonic house, Clifford park, Clifford lane, Stratford-Upon-Avon, CV37 8HW

Tel: +44 (0) 1789 263868 Fax: +44 (0) 1789 293080