

Suite Instruction Guide



Important Safety Information

Always read this manual first before attempting to install or use this fireplace. For your safety, always comply with all warnings and safety instructions contained in this manual to prevent personal injury or property damage.

Please Note: This product is for well insulated spaces or occasional use.

Contents

1.	Introduction	2
2.	Important Instructions	3/4
3.	Installation Requirements	5/6
4.	Installation Method	7/8
5.	E-Touch & App Interface	9
6.	Product Operation	10
7.	Glass Removal	11/12
8.	Log Set Guidance	13/14
9.	Technical Specification	15
10.	Problem Solving	16
11.	Warranty	17

welcome to evonicfires

evonicfires is an award-winning brand of CK Fires Ltd, situated just outside Stratford-upon-Avon, we manufacture a range of British built electric fires and are considered as one of the most technically advanced manufacturers in the world, with optional controllers such as e-touch and a fully integrated APP available to download on both



This guide is designed to aid in the installation and continued performance of this product. This product conforms with all health, safety, and environmental protection standards as indicated by a CE mark. For optimum performance this product requires a well insulated location or occasional use.

IMPORTANT INSTRUCTIONS:

When using electrical appliances, basic precautions should always be followed to reduce the risk of fire, electric shock, and injury to persons, including the following:

- ① Read all instructions before using this electric fireplace.
- ② This fireplace is hot when in use. To avoid burns, do not let bare skin touch hot surfaces. The trim around the heater outlet becomes hot during heater operation. DANGER: High temperatures may be generated under certain abnormal conditions. Do not partially or fully cover or obstruct the front of this heater.
- ③ Extreme caution is necessary when any heater is used by or near children or people of reduced mobility and whenever the unit is left operating and unattended.
- ④ Young children should be supervised to ensure that they do not play with the appliance.
- ⑤ The appliance is not intended for use by young children or infirmed persons without supervision.
- ⑥ In the event of a malfunction, disconnect power at the service panel and have the unit inspected by a reputable electrician before reusing.
- ⑦ If the supply cord is damaged, it must be replaced by the manufacturer, or its service agent, or a qualified person in order to avoid a hazard.
- ⑧ Do not use outdoors.
- ⑨ Never locate fireplace where it may fall into a bathtub or other water container.
- ⑩ To disconnect the fireplace, turn the controls off, and turn off power to heater circuit at main disconnect panel.
- ⑪ Do not run the cord under carpeting. Do not cover cord with throw rugs, runners, or the like. Arrange cord away from traffic area and where it will not be tripped over.
- ⑫ Do not locate the heater immediately below a fixed socket-outlet.

- ⑬ Do not insert or allow foreign objects to enter any ventilation or exhaust opening as this may cause an electric shock or fire, or damage to the heater.
- ⑭ To prevent a possible fire, do not block air intakes or exhaust in any manner.
- ⑮ All electrical heaters have hot and arcing or sparking parts inside. Do not use in areas where gasoline, paint, or flammable liquids are used or stored.
- ⑯ Use this fireplace only as described in this manual. Any other use not recommended by the manufacturer may cause fire, electric shock or injury to persons.
- ⑰ Do not change the plug in any way. Always plug heaters directly into a wall outlet/receptacle. Never use with an extension cord or relocatable power tap (outlet/power strip).
- ⑱ Do not burn wood or other materials in the electric fireplace.
- ⑲ Do not strike the fireplace glass.
- ⑳ Always use a certified electrician should new circuits or outlets be required.
- ㉑ Always use properly grounded & fused outlets.
- ㉒ Disconnect all power supply before performing any cleaning, maintenance or relocation of the unit.
- ㉓ When transporting or storing the unit and cord, keep in a dry place, free from excessive vibration and store so as to avoid damage.

NOTE: Changes or modifications not expressly approved by the party responsible for compliance could void user's authority to operate the equipment.

INSTALLATION REQUIREMENTS:

Review and consider all of the following conditions before installation:

This appliance must only be connected to a 230/240 Volts AC 50Hz supply. Before connecting the fire, check that the supply voltage is the same as stated on the fire. This appliance must only be used on a AC supply, fuse rating 13Amp.

The wires in the mains lead are coloured in accordance with a standard UK supply, these being:

GREEN/YELLOW – EARTH

BLUE – NEUTRAL

BROWN – LIVE

Ensure the power cord is not installed so that it is pinched or against a sharp edge and ensure that the power cord is stored or secured to avoid tripping or snagging to reduce the risk of fire, electric shock or injury to persons. Construction and electrical outlet wiring must comply with local building codes and other applicable regulations to reduce the risk of fire, electric shock and injury to persons.

WARNING: To reduce the risk of fire, do not store or use gasoline or other flammable vapours or liquids in the vicinity of the heater.

1. Select a location that is not susceptible to moisture and is away from drapes, furniture and high traffic.
2. For ease of electrical hook up you may wish to locate the fireplace near an existing outlet (for plug-in convenience).
3. Remove electric fireplace, front glass and hardware from the box and remove all

Grounding Instructions:

This product must be grounded. If it should malfunction or breakdown, grounding provides a path of least resistance for electric current to reduce the risk of electric shock.

This product is equipped with a cord having an equipment-grounding conductor and a grounding plug. The plug must be plugged into an appropriate outlet that is properly installed and grounded in accordance with all local codes and ordinances.

DANGER: Improper connection of the equipment-grounding conductor can result in a risk of electric shock. Check with a qualified electrician or serviceman if you are in doubt as to whether the product is properly grounded. Do not modify the plug provided with the product – if it will not fit the outlet, have a proper outlet installed by a qualified electrician.

WARNING: Do not attempt to wire your own new outlets or circuits. To reduce the risk of fire, electric shock or injury to persons, always use a licensed electrician.

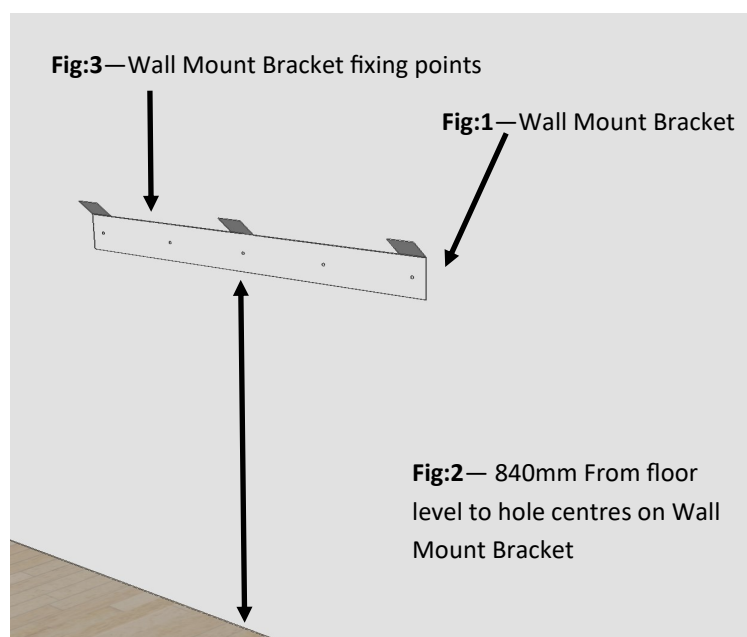
Installation Method:

This product has been designed to be installed onto a plaster board, drywalled, or existing masonry chimney breast.

Please seek advice from a professional, with reference to the structural integrity of the installation site.

PLEASE NOTE: The screws and wall plugs provided are only suitable for a solid wall fixing / when installing onto a hollow-stud wall it is recommended that heavy duty wall anchors or equivalent are used.

The product should never be sealed into a opening with the use of silicones or adhesives as this can also alter the airflow and hinder any further servicing of the product.



Installing Product:

Each Compton2 & Compton 1000 product is supplied complete with one wall mounting bracket. (See Fig:1)

Establish the desired finished height from floor level to the bottom of the hearth of the product.

(See Fig:2) - 840mm Dimension is used as standard installation.

Fix the wall bracket to the wall ensuring to use the correct hardware fixings given the wall construction, dry wall or Solid Wall.

(See Fig:3) - Five Fixing points for Wall Mount Bracket

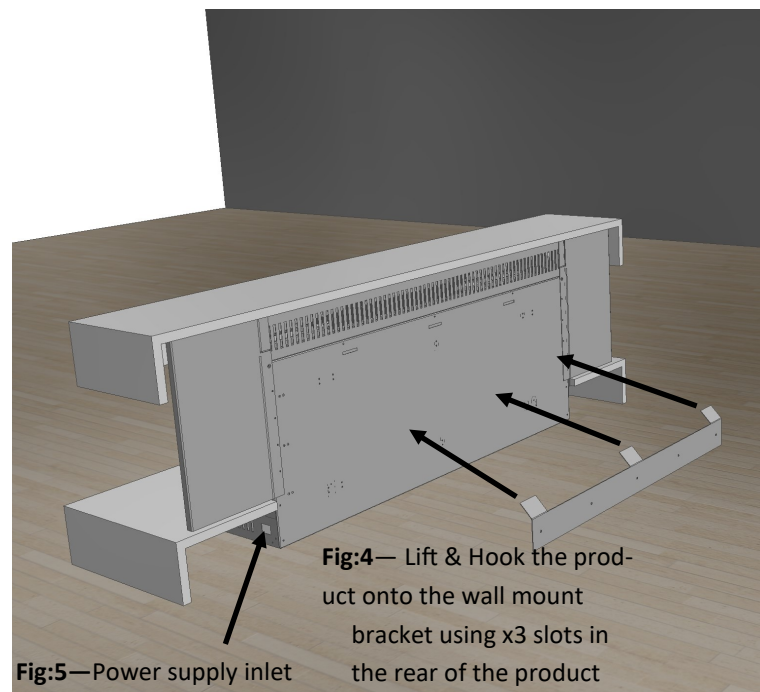
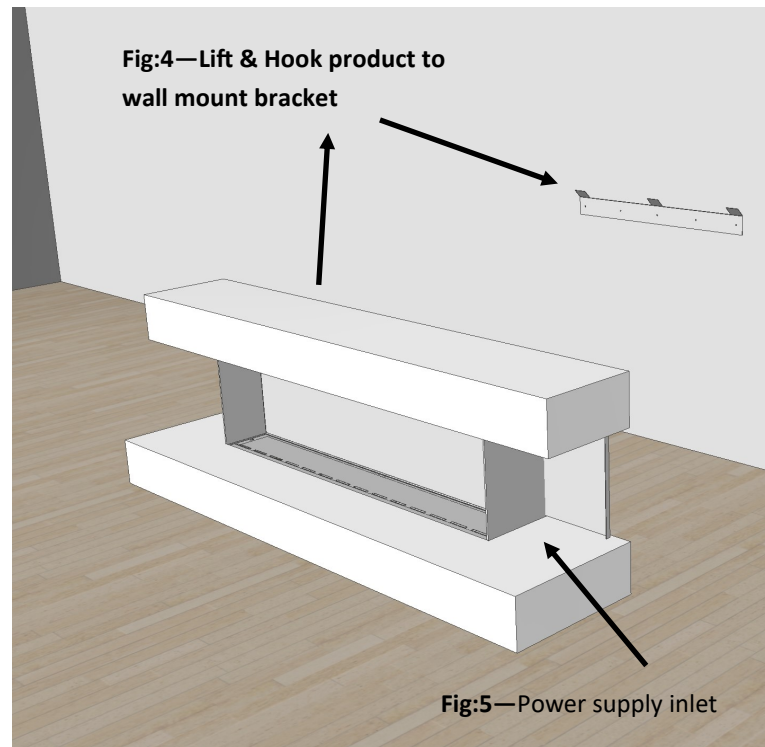
Once the Wall mount Bracket is securely in position, Lift and hook the product onto the wall bracket, slotting the wall bracket into the x3 slots in the rear of the product (See Fig:4) ensuring to keep the product level.

Once the product is secured to the wall, Connect the power supply to the product— Inlet located on the right-hand side underneath the hearth section.

(See Fig:5)

Connect the power socket into the wall power outlet.

The product is now ready to use.

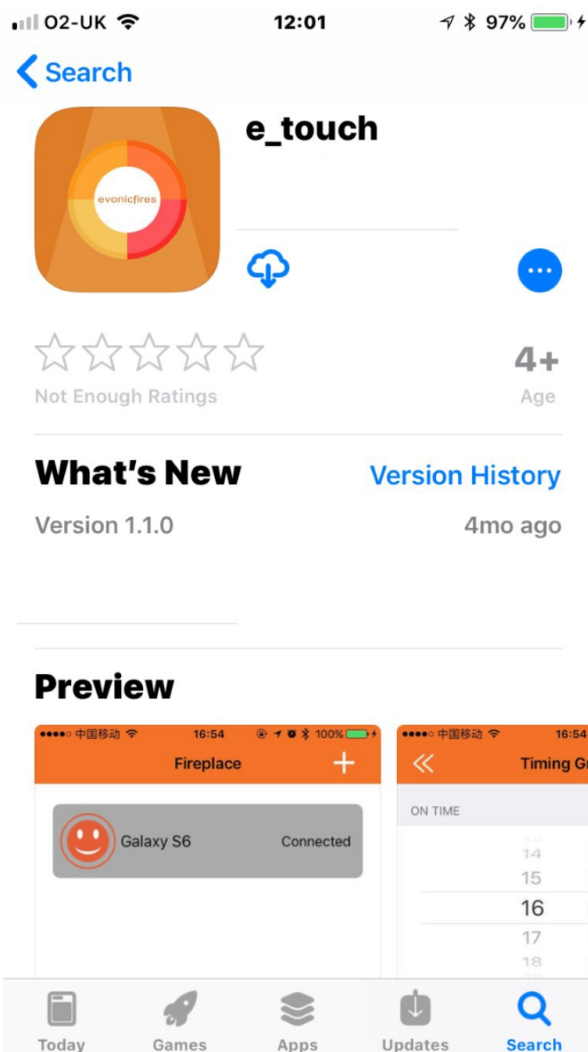


E-Touch & App Interface:

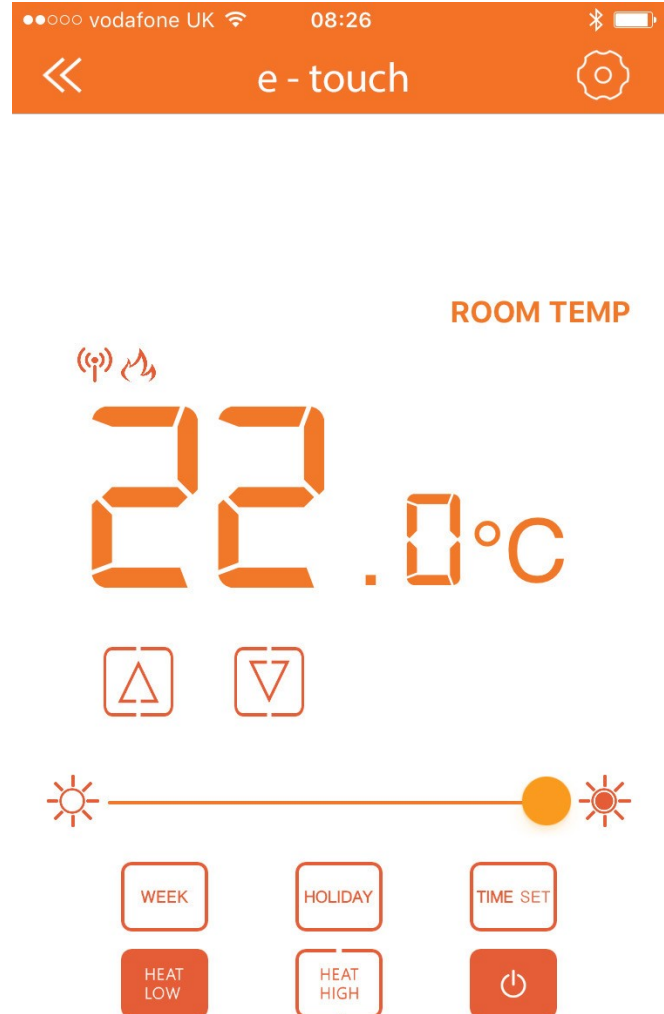
The Appliance is operated using the E-Touch App Control.

The App Control can be used on either OS or Android operating systems.

To obtain the App please visit either the OS App Store Or Google Play and follow the on screen instructions.



Screen shot taken from Apple App Store.



Home Screen shot taken from E-Touch App

Product Operation:

The appliance is operated by the e-touch App. The main standby power switch to the suite product is located to the right of the heater outlet, and is marked with a light bulb image (Fig 1). To activate the product, this switch must be switched to the “ON” position (Fig 2)

The first time the e-series product is activated both the illumination and heater will function, to switch the heater “Off” simply reduce the Room Temperature down to 10 degrees on the App control.



Fig 1.



Fig 2.

Glass Removal:



1. Remove 2 screws located in the bottom glass retaining bar.



2. Remove the bottom glass retaining bar.



3. Remove the glass by pulling the second retaining bar away from the body of the fire. Ensure that the glass is supported at all times. A suction cup has been provided to aid with this step.

Please note: The suction cup is provided for support only, not to hold the full weight of the glass.

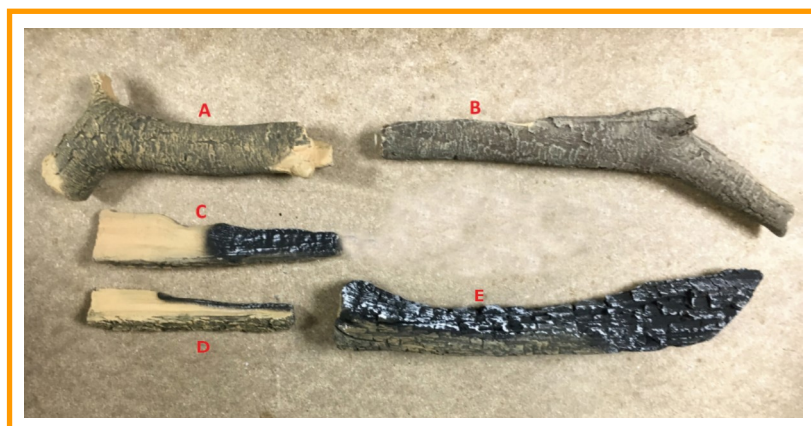
Please note: It is recommended that this step is carried out by 2 persons on 810/1500/1560/1800 models



4. Place the log set as stated and replace the glass by reversing steps 3. to 1.

Log-Set Guidance:

LOG	LENGTH
A	260MM
B	370MM
C	230MM
D	190MM
E	390MM

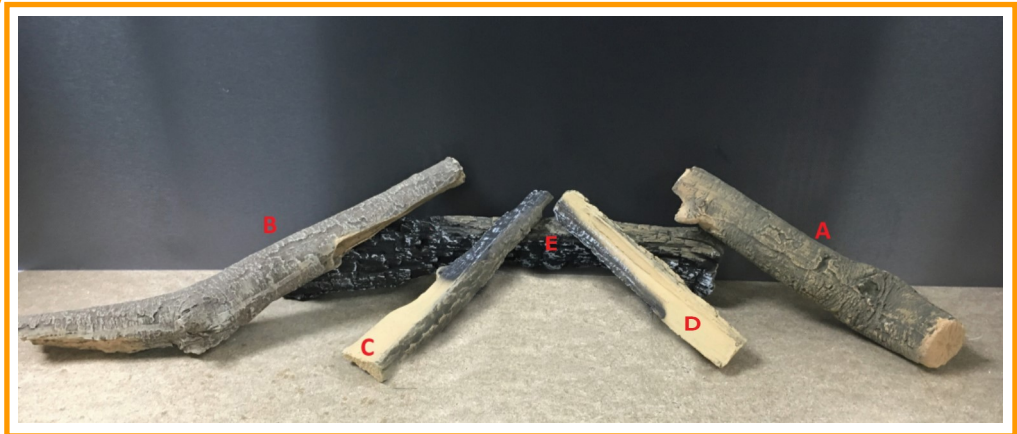


Log Set



Midori Log Set

Please Note: The images shown are suggested Log layouts, the log sets can be arranged to personal preference.



Compton 2 suggested log layout



Compton 1000 suggested log layout

Please Note: The images shown are suggested Log layouts, the log sets can be arranged to personal preference.

Technical Specification

<u>MODEL</u>	<u>WIDTH</u>	<u>HEIGHT</u>	<u>DEPTH</u>
SIGMA	1156MM	1705MM	473MM
OMEGA	1500MM	900MM	380MM
HELIOS	1370MM	640MM	380MM
NIMBUS	1280MM	520MM	255MM
QUBE	1055MM	620MM	275MM
GALILEO	1175MM	945MM	255MM
ALTAIR	1087MM	1135MM	255MM
COMPTON1000	1500MM	520MM	365MM
COMPTON2	1120MM	520MM	365MM
EMPIRE2	1120MM	520MM	280MM
CASSINI	1297MM	1167MM	406MM
CORBIERE	1370MM	1095MM	355MM
MIDORI	530MM	620MM	320MM
KIBO	1258MM	889MM	241MM
BROADWAY	1500MM	520MM	365MM
WESTFIELD	860MM	625MM	280MM

Problem solving

(Heater unit cut-out) (This is a safety feature, to safe guard against further damage to the product).

If the airflow is restricted the heater will automatically turn off. This is can occur due to incorrect installation or obstruction.

To reset the heater function:

- isolate from the mains power supply.
- Leave product to cool.
- After a suitable cooling down period, remove the obstruction if obstructed, and check installation.
- After 10 minutes the thermo switch (cut-out) in the heater will reset.

Please note that both the effect fan and heater fan emit a low decibel noise, both of which are normal operating characteristics.

- No power to the fire: Check the wall socket, plug and fuse.
- No illumination: Make sure the fire is turned on. Check heater is working, if so check that the dimmer control is set to full on the e-touch app/ e-touch controller.
- Illumination but no heat: The safety cut has operated see note on operating the Fire.
- Noise when illuminated: Due to moving parts, the electric fire will make a noise.
- Noise from the heater when in use: The sound of rushing air is normal.
- **Reporting a fault:** If a product is encountering a fault with the operation and a service engineer is required, please visit : www.evonicfires.co.uk and complete the fields required under the **Report a Fault** section. Please refer to the terms of your warranty.

Conditions of warranty:

If this appliance should prove to be defective due to faulty design, materials or workmanship within 12 months of purchase, the product will be repaired free of charge, subject to the following conditions:

The electric fire shall have been purchased and used solely within the territory for domestic purposes and in accordance with the Users operating instructions.

It is the purchasers responsibility to prove that the unit is under warranty, e.g. receipt of purchase.

All warranties, will be invalidated if unauthorised repairs or modifications are made to the electric fire, or in case of accident, misuse or damage caused by improper installation, or to damage occurring during transit to or from the repairer and altered or missing serial numbers.

Any parts, which have been replaced under this warranty, shall become our property.

The company shall not be liable for any consequential loss or damage what so ever, arising from or in connection with this electric fire.

This Warranty does not apply to Heating elements, Bulbs or fuses.

'No fault found', service calls and installation errors are not covered under the manufacturers warranty and will result in a charge being made for the Call-Out by our appointed service engineer.

This warranty is in addition to and does not affect the purchasers statutory rights of consumers.

Registering product:

To register a product please visit: **www.evonicfires.co.uk**
and complete the fields required under the **Register a Product Section**. By registering your appliance, an extra 12 months is added to your warranty

CK Fires Ltd / Evonic Fires

1 Evonic house, Clifford park, Clifford lane, Stratford-Upon-Avon, CV37 8HW

Tel: +44 (0) 1789 263868 Fax: +44 (0) 1789 293080